

BF1759
Showerhead with 45° wall arm with round flange

SPECIFICATIONS

Features

45° Wall arm with round flange (105006-XXX):

- Male water inlet 1/2NPT
- Male water outlet G1/2

Showerhead (105009-XXX):

- Female water inlet G1/2
- Diameter of 100 mm (4")
- Soft tips for easy cleaning of limescale
- Adjustable orientation swivel

Colors (Finishes)

- Chrome: BF1759-110
- Matte black: BF1759-160

Maximum flow rate

- 9.5 L/min (2.5 gpm) at 60 psi



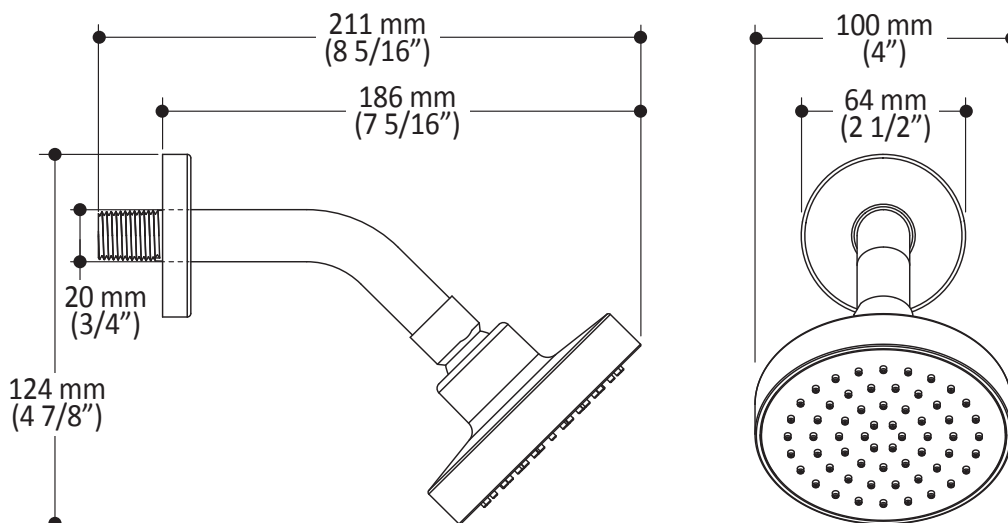
Installation Notes

This product must be installed following the installation instructions provided.

WARRANTY

Kalia Inc. guarantees all aspects of its products to be free of defects in material and workmanship for normal residential use. **Refer to the warranty included with the Kalia products for details.**

Product dimensions:



Important : Dimensions are approximated and are subject to changes. Please refer to the installation instructions.