



ONCE UPON A TIME...WATER®

BF1725

2-way AQUATONIK™ type T/P 1/2" coaxial valve with diverter and decorative trim

**SPECIFICATIONS****Features**

- Solid brass construction
- No visible screw
- Integrated service stops
- Two male water inlets 1/2NPT threaded or welded
- Two male water outlets 1/2NPT threaded or welded
- Total adjustment of 32 mm (1 1/4")
- Can be installed back-to-back
- Support for better stability during installation included

**Colors (Finishes)**

- Chrome : BF1725-110
- Brushed Nickel PVD : BF1725-120

**Certifications**

The specified model meets or exceeds the following standards;

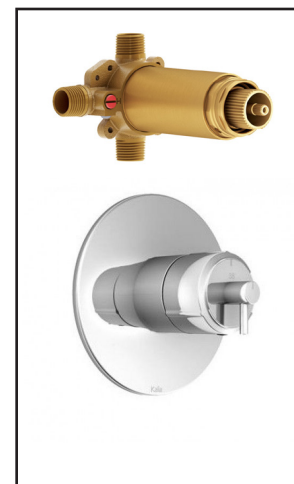
- ASME A112.18.1 / CSA B125.1
- ICCA117.1

**Packaging**

- **Dimensions:** 370 mm x 190 mm x 205 mm (14 5/8" x 7 1/2" x 8 1/8")
- **Volume:** 0.014 m<sup>3</sup> (0.51 pi<sup>3</sup>)
- **Total weight:** 2.36 kg (5.25 lb)

**Maximum flow rate**

- 1 outlet = 25 L/min (6.6 gpm) at 60 psi
- 2 outlets = 29 L/min (7.7 gpm) at 60 psi

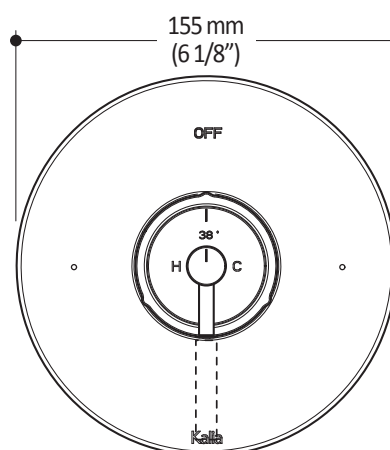
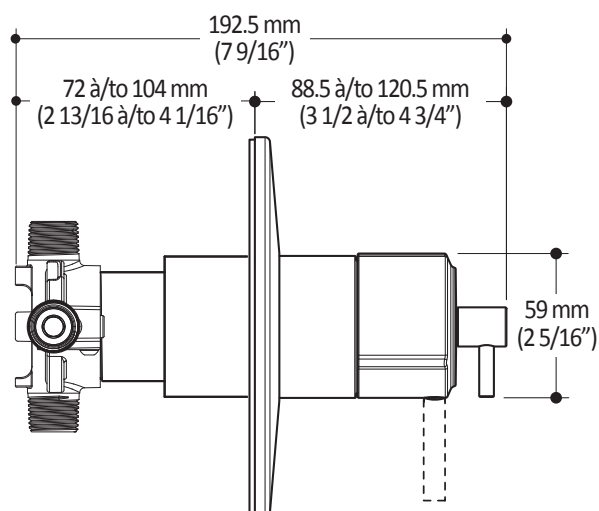
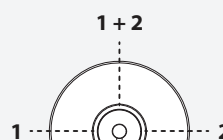
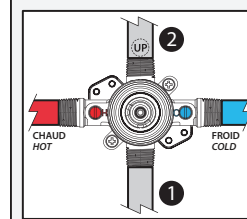
**Installation Notes**

This product must be installed following the installation instructions provided.

**WARRANTY**

Kalia Inc. guarantees all aspects of its products to be free of defects in material and workmanship for normal residential use. **Refer to the warranty included with the Kalia products for details.**

Product dimensions:


**Configuration 2 voies**  
**2-way configuration**
**FERMÉ / OFF**

**Important:** Dimensions are approximated and are subject to changes. Please refer to the installation instructions.



ONCE UPON A TIME...WATER®

1355, 2<sup>e</sup> Rue, Parc industriel  
 Sainte-Marie (Québec)  
 Canada G6E 1G9

T 418-387-9090  
 1-877-GO-KALIA (1-877-465-2542)  
 F 418-87-9089

KaliaStyle.com

