



ONCE UPON A TIME...WATER®

UMANI™

BF1710-XXX-101

PLUS: CALGreen TCG1 Thermostatic Coaxial Shower System

SPECIFICATIONS



Components included

- BF1384-XXX* : Rainhead with vertical ceiling arm
- 102860-XXX* : 2-jet handshower
- 101328-XXX* : Wallbar
- 101620-XXX* : 60” flexible and soft PVC hose
- BF1697-XXX* : CALgreen 2-way AQUATONIK™ type T/P 1/2” coaxial valve with diverter and decorative trim
- 101228-XXX* : Wall outlet

* XXX means that the finish color must be specified.

Colors (Finishes)

- Chrome : BF1710-110
- Brushed Nickel PVD : BF1710-120

Certifications

The specified model meets or exceeds the following standards;



See the following sheets for the technical features of each component.

Installation Notes

This product must be installed following the installation instructions provided.

WARRANTY

Kalia Inc. guarantees all aspects of its products to be free of defects in material and workmanship for normal residential use. **Refer to the warranty included with the Kalia products for details.**



ONCE UPON A TIME...WATER®

1355, 2nd Street
Sainte-Marie (Quebec)
Canada G6E 1G9

T 418-387-9090
1-877-GO-KALIA (1-877-465-2542)
F 418-387-9089

KaliaStyle.com





BF1384

PLUS: Rainhead and Vertical Ceiling Arm

SPECIFICATIONS

Features

- Water 1/2" male inlet NPT
- Dimension: 251 x 251mm (9 7/8" x 9 7/8")
- Anti-scale system with soft sprays
- Adjustable orientation swivel
- PVD finish (Physical Vapour Deposit): A high technology process that protects the surface finish for increased durability

Colors (Finishes)

- Chrome : BF1384-110
- Brushed Nickel PVD : BF1384-120

Certifications

The specified model meets or exceeds the following standards;

- ASME A112.18.1 / CSA B125.1



Packaging

- **Dimensions:** 406mm x 324mm x 133mm (16" x 12 3/4" x 5 1/4")
- **Volume:** 0.62 cu ft (0.018 cu m)
- **Total weight:** 2.13 lb (0.965 kg)

Maximum flow rate

- 9.5 liters/min. (2.5 gallons/min.) at 80 psi



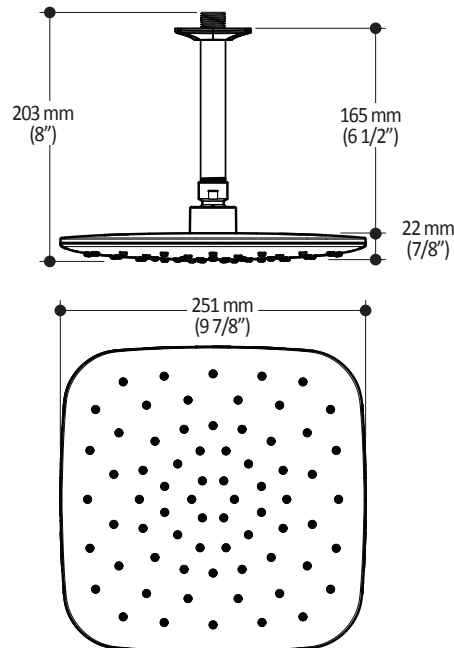
Installation Notes

This product must be installed following the installation instructions provided.

WARRANTY

Kalia Inc. guarantees all aspects of its products to be free of defects in material and workmanship for normal residential use. **Refer to the warranty included with the Kalia products for details.**

Product dimensions:



Important: Dimensions are approximated and are subject to changes. Please refer to the installation instructions.

Kalia inc.
1355, 2nd Street
Sainte-Marie (Quebec)
Canada G6E 1G9

t. 1-418-387-9090
1 877 GO KALIA (1-877-465-2542)
f. 1-418-387-9089
www.KaliaStyle.com



102860

PLUS: 2-Jet Handshower

SPECIFICATIONS

Features

- Dimension: 121 mm (4 3/4")
- Anti-scale system with soft sprays
- Water G1/2 male inlet
- 2 positions
- PVD finish (Physical Vapour Deposit): A high technology process that protects the surface finish for increased durability

Colors (Finishes)

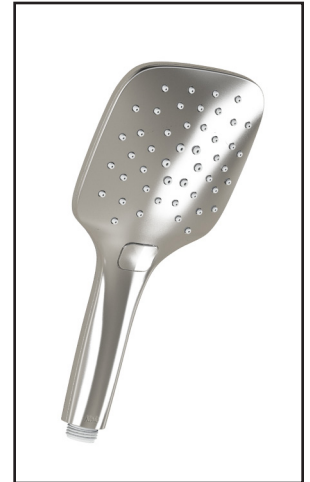
- Chrome : 102860-110
- Brushed Nickel PVD : 102860-120

Packaging

- **Dimensions:** 349mm x 171mm x 178mm (13 3/4" x 6 3/4" x 7")
- **Volume:** 0.376 cu ft (0.01 cu m)
- **Total weight:** 0.66 lb (0.3 kg)

Maximum flow rate

- 9.5 liters/min. (2.5 gallons/min.) at 80 psi



Certifications

The specified model meets or exceeds the following standards;

- ASME A112.18.1 / CSA B125.1



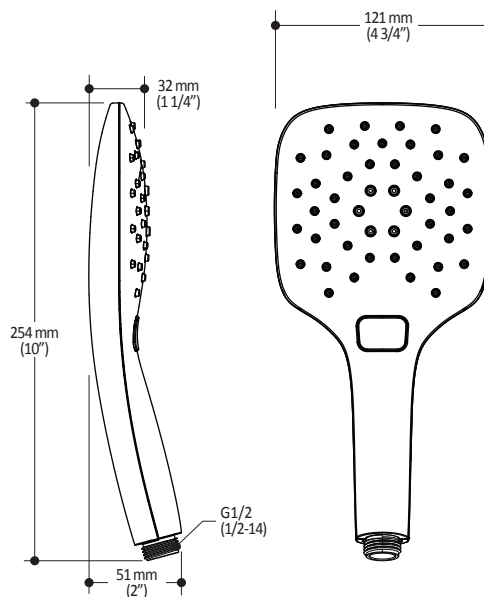
Installation Notes

This product must be installed following the installation instructions provided.

WARRANTY

Kalia Inc. guarantees all aspects of its products to be free of defects in material and workmanship for normal residential use. **Refer to the warranty included with the Kalia products for details.**

Product dimensions:



Important: Dimensions are approximated and are subject to changes. Please refer to the installation instructions.

Kalia inc.
1355, 2nd Street
Sainte-Marie (Quebec)
Canada G6E 1G9

t. 1-418-387-9090
1 877 GO KALIA (1-877-465-2542)
f. 1-418-387-9089
www.KaliaStyle.com



UMANI™

101328

Wallbar for Handshower

SPECIFICATIONS

Features

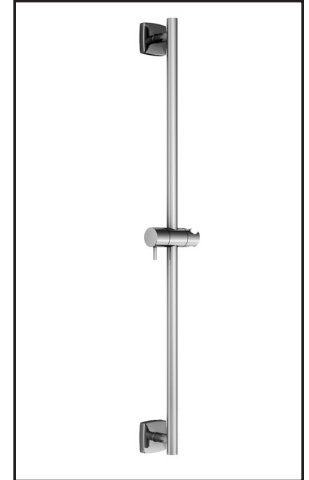
- Total height of 762mm (30")
- Locking system of 1/4 turn
- PVD finish (Physical Vapour Deposit): A high technology process that protects the surface finish for increased durability

Colors (Finishes)

- Chrome : 101328-110
- Brushed Nickel PVD : 101328-120

Packaging

- **Dimensions:** 832mm x 152mm x 89mm
(32 3/4" x 6" x 3 1/2")
- **Volume:** 0.40 cu ft (0.011 cu m)
- **Total weight:** 1.9 lb (0.86 kg)



Installation Notes

This product must be installed following the installation instructions provided.

WARRANTY

Kalia Inc. guarantees all aspects of its products to be free of defects in material and workmanship for normal residential use. **Refer to the warranty included with the Kalia products for details.**

Product dimensions:



Important: Dimensions are approximated and are subject to changes. Please refer to the installation instructions.

Kalia inc.
1355, 2nd Street
Sainte-Marie (Quebec)
Canada G6E 1G9

t. 1-418-387-9090
1 877 GO KALIA (1-877-465-2542)
f. 1-418-387-9089
www.KaliaStyle.com



ONCE UPON A TIME...WATER®

UMANI™

BF1697

CalGreen 2-way AQUATONIK™ type T/P 1/2" coaxial valve with diverter and decorative trim

SPECIFICATIONS

Features

- Solid brass construction
- No visible screw
- Integrated service stops
- Two male water inlets 1/2NPT threaded or welded
- Two male water outlets 1/2NPT threaded or welded
- Total adjustment of 32 mm (1 1/4")
- Can be installed back-to-back
- Support for better stability during installation included

Colors (Finishes)

- Chrome : BF1697-110
- Brushed nickel PVD : BF1697-120

Certifications

The specified model meets or exceeds the following standards;

- ASME A112.18.1 / CSA B125.1
- ICCA117.1

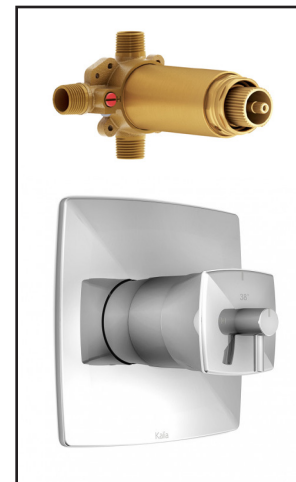


Packaging

- **Dimensions:** 370 mm x 190 mm x 205 mm (14 5/8" x 7 1/2" x 8 1/8")
- **Volume:** 0.014 m³ (0.51 pi³)
- **Total weight:** 2.74 kg (6.04 lb)

Maximum flow rate

- 1 outlet = 25 L/min (6.6 gpm) at 60 psi



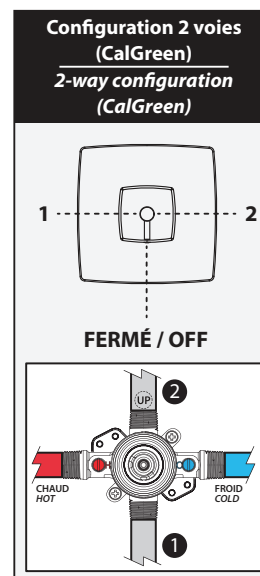
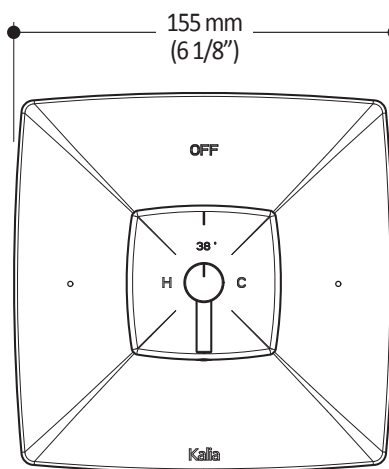
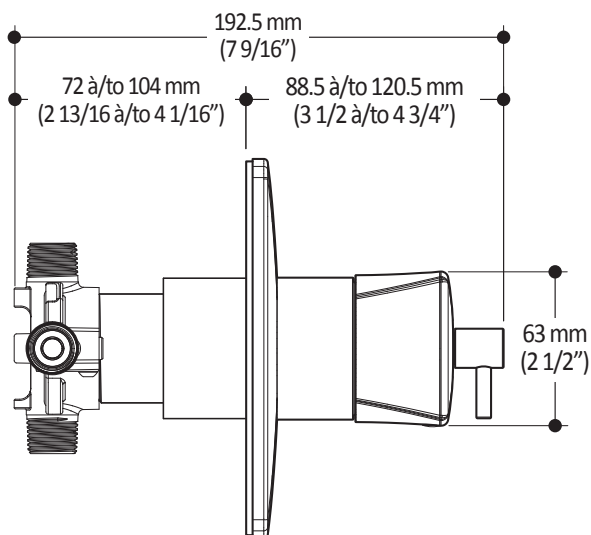
Installation Notes

This product must be installed following the installation instructions provided.

WARRANTY

Kalia Inc. guarantees all aspects of its products to be free of defects in material and workmanship for normal residential use. Refer to the warranty included with the Kalia products for details.

Product dimensions:



Important: Dimensions are approximated and are subject to changes. Please refer to the installation instructions.



ONCE UPON A TIME...WATER®

1355, 2° Rue, Parc industriel
Sainte-Marie (Québec)
Canada G6E 1G9

T 418-387-9090
1-877-GO-KALIA (1-877-465-2542)
F 418-87-9089

KaliaStyle.com





UMANI™

101228

Wall Outlet

SPECIFICATIONS

Features

- Water 1/2" female inlet NPT
- Water G1/2 male outlet
- Solid brass construction
- Check valve included
- PVD finish (Physical Vapour Deposit): A high technology process that protects the surface finish for increased durability

Colors (Finishes)

- Chrome : 101228-110
- Brushed Nickel PVD : 101228-120

Packaging

- **Dimensions:** 305mm x 117mm x 92mm (12" x 4 5/8" x 3 5/8")
- **Volume:** 0.12 cu ft (0.003 cu m)
- **Total weight:** 0.88 lb (0.40 kg)



Certifications

The specified model meets or exceeds the following standards;

- ASME A112.18.1 / CSA B125.1



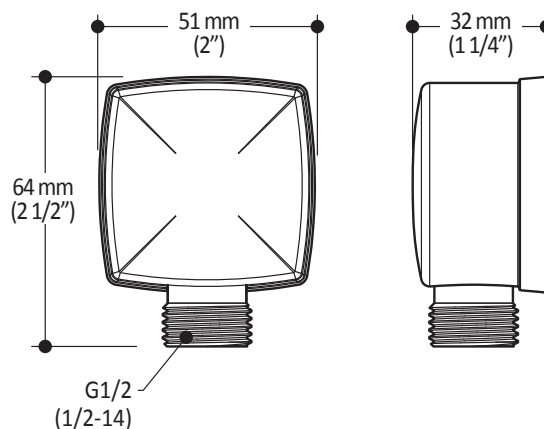
Installation Notes

This product must be installed following the installation instructions provided.

WARRANTY

Kalia Inc. guarantees all aspects of its products to be free of defects in material and workmanship for normal residential use. **Refer to the warranty included with the Kalia products for details.**

Product dimensions:



Important: Dimensions are approximated and are subject to changes. Please refer to the installation instructions.

Kalia inc.
1355, 2nd Street
Sainte-Marie (Quebec)
Canada G6E 1G9

t. 1-418-387-9090
1 877 GO KALIA (1-877-465-2542)
f. 1-418-387-9089
www.KaliaStyle.com