



ONCE UPON A TIME...WATER®

**GRAFIK™**

**BF1706-110**

**STANDARD: CALGreen TCD1 Thermostatic Coaxial Shower System**

***SPECIFICATIONS***



**Components included**

- BF1392: Rainhead with 90° wall arm
- 103574: 2-jet handshower (2 direct positions and 1 shared position)
- 103576: Wallbar
- 101620: 60” flexible and soft PVC hose
- BF1695: 2-way AQUATONIK type T/P 1/2” coaxial valve with diverter
- 102856: Wall outlet

**Color (Finish)**

- Chrome: BF1706-110

**Certifications**

*The specified model meets or exceeds the following standards;*



*See the following sheets for the technical features of each component.*

**Installation Notes**

This product must be installed following the installation instructions provided.

**WARRANTY**

Kalia Inc. guarantees all aspects of its products to be free of defects in material and workmanship for normal residential use. **Refer to the warranty included with the Kalia products for details.**



ONCE UPON A TIME...WATER®

1355, 2<sup>nd</sup> Street, Industrial Park  
Sainte-Marie (Québec)  
Canada G6E 1G9

T 418-387-9090  
1-877-GO-KALIA (1-87- 465-2542)  
F 418 387-9089

**KaliaStyle.com**





# Kalia

ONCE UPON A TIME...WATER®

## GRAFIK™

### BF1392

### STANDARD: Rainhead with 90° Wall arm

### SPECIFICATIONS

#### Features

- Male water inlet 1/2 NPT
- Rainhead dimension: 195 mm (7 11/16")
- Soft tips for easy cleaning of limescale
- Adjustable orientation swivel
- Solid brass arm and plastic rainhead construction

#### Colors (Finishes)

- Chrome : BF1392-110

#### Maximum flow rate

- 9.5 L/min (2.5 gpm) at 80 psi



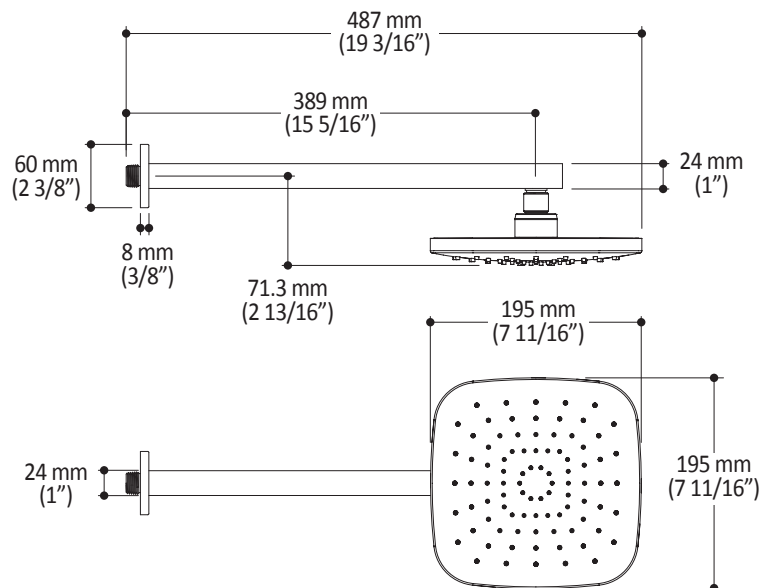
#### Installation Notes

This product must be installed following the installation instructions provided.

#### WARRANTY

Kalia Inc. guarantees all aspects of its products to be free of defects in material and workmanship for normal residential use. **Refer to the warranty included with the Kalia products for details.**

Product dimensions:



**Important:** Dimensions are approximated and are subject to changes. Please refer to the installation instructions.



# Kalia

ONCE UPON A TIME...WATER®

1355, 2<sup>nd</sup> Street, Industrial Park  
Sainte-Marie (Québec)  
Canada G6E 1G9

T 418-387-9090  
1-877-GO-KALIA (1-87- 465-2542)  
F 418 387-9089

KaliaStyle.com





ONCE UPON A TIME...WATER®

# BF1405

STANDARD: 2-jet handshower, wallbar and 60" flexible and soft PVC hose assembly

## SPECIFICATIONS

### Features

#### 2-jet handshower (103574-XXX)

- Dimension: 106 mm (4-3/16")
- Anti-scale system with soft sprays
- Water G½ male inlet
- 2 direct positions and 1 shared position
- Max. flow 9.5 L/min (2.5 gpm) to 80 psi
- Plastic construction

#### Wallbar (102858-XXX)

- Total height of 699 mm (27-1/2")
- Locking system
- Plastic construction

#### 60" flexible and soft PVC hose (101620-XXX)

- 1/2 female connection

### Color (Finish)

- Chrome : BF1405-110

### Certifications

The specified model meets or exceeds the following standards;

- ASME A112.18.1 / CSA B125.1



### Packaging

- **Dimensions** : 832 mm x 152 mm x 89 mm (32-3/4" x 6" x 3-1/2")
- **Volume** : 0.40 cu ft (0.011 cu m)
- **Total weight**: 2.91 lb (1.32 kg)



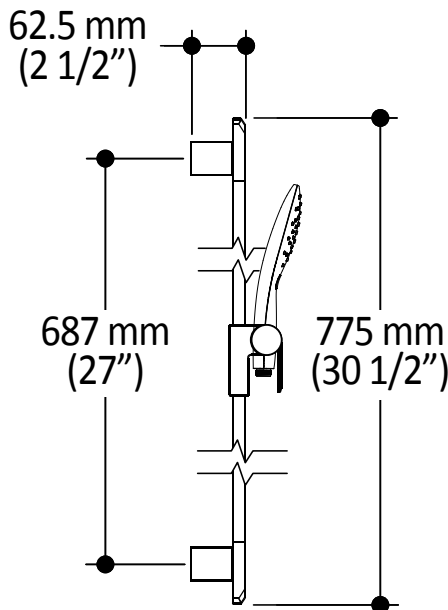
### Installation Notes

This product must be installed following the installation instructions provided.

### WARRANTY

Kalia inc. guarantees all aspects of its products to be free of defects in material and workmanship for normal residential use. Refer to the warranty included with the Kalia products for details.

Product dimensions:



Important : Dimensions are approximated and are subject to changes. Please refer to the installation instructions.



ONCE UPON A TIME...WATER®

1355, 2<sup>nd</sup> Street  
Sainte-Marie (Quebec)  
Canada G6E 1G9

T 418-387-9090  
1-877-GO-KALIA (1-877-465-2542)  
F 418-387-9089

KaliaStyle.com





ONCE UPON A TIME...WATER®

GRAFİK™

BF1695

CalGreen 2-way AQUATONIK™ type T/P 1/2" coaxial valve with diverter and decorative trim

SPECIFICATIONS

Features

- Solid brass construction
- No visible screw
- Integrated service stops
- Two male water inlets 1/2NPT threaded or welded
- Two male water outlets 1/2NPT threaded or welded
- Total adjustment of 32 mm (1 1/4")
- Can be installed back-to-back
- Support for better stability during installation included

Colors (Finishes)

- Chrome : BF1695-110

Packaging

- **Dimensions:** 370 mm x 190 mm x 205 mm (14 5/8" x 7 1/2" x 8 1/8")
- **Volume:** 0.014 m³ (0.51 pi³)
- **Total weight:** 2.32 kg (5.1 lb)

Maximum flow rate

- 1 outlet = 25 L/min (6.6 gpm) at 60 psi



Certifications

The specified model meets or exceeds the following standards;

- ASME A112.18.1 / CSA B125.1
- ICCA117.1



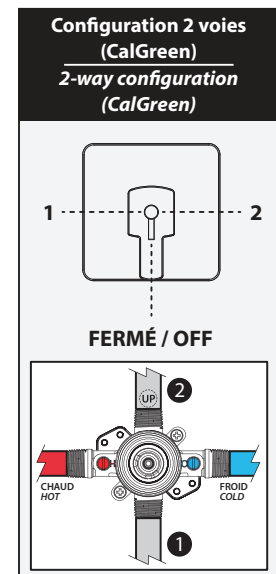
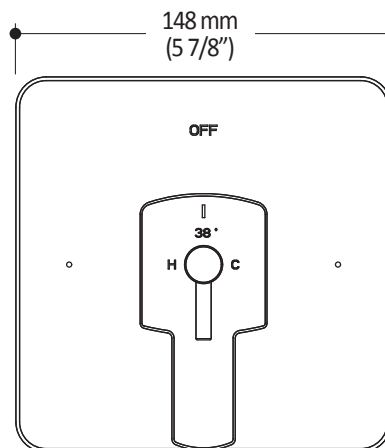
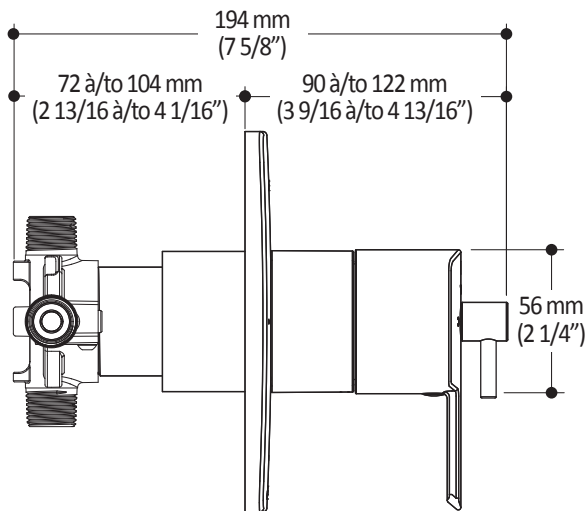
Installation Notes

This product must be installed following the installation instructions provided.

WARRANTY

Kalia Inc. guarantees all aspects of its products to be free of defects in material and workmanship for normal residential use. Refer to the warranty included with the Kalia products for details.

Product dimensions:



Important: Dimensions are approximated and are subject to changes. Please refer to the installation instructions.



ONCE UPON A TIME...WATER®

1355, 2° Rue, Parc industriel  
Sainte-Marie (Québec)  
Canada G6E 1G9

T 418-387-9090  
1-877-GO-KALIA (1-877-465-2542)  
F 418-87-9089

KaliaStyle.com





ONCE UPON A TIME...WATER®

# 102856 Square Wall Outlet

## *SPECIFICATIONS*

### Features

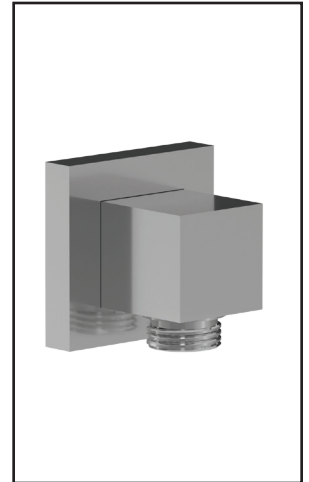
- Male or female water inlet 1/2NPT
- Male water outlet G1/2
- Solid brass construction

### Colors (Finishes)

- Chrome: 102856-110
- Matte black: 102856-160

### Certifications

The specified model meets or exceeds the following standards;



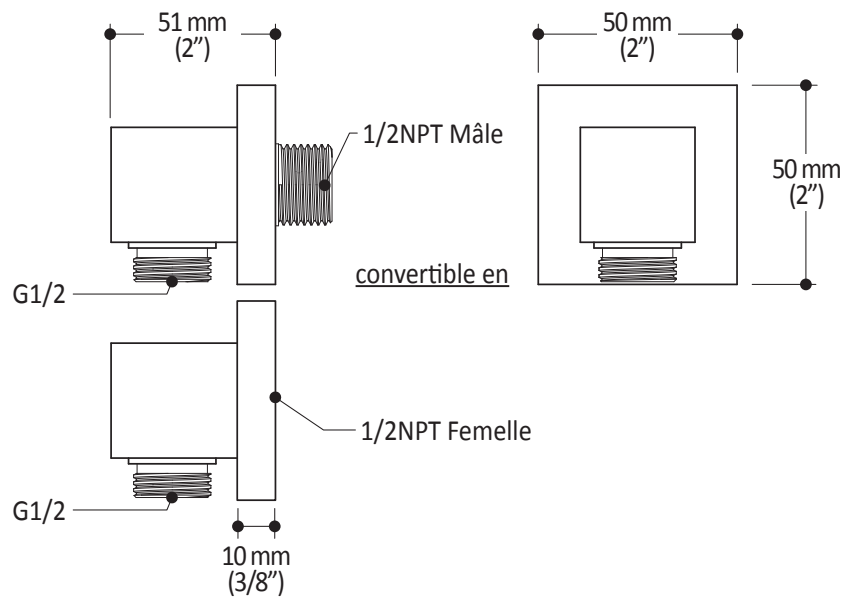
### Installation Notes

This product must be installed following the installation instructions provided.

### WARRANTY

Kalia Inc. guarantees all aspects of its products to be free of defects in material and workmanship for normal residential use. **Refer to the warranty included with the Kalia products for details.**

Product dimensions:



**Important:** Dimensions are approximated and are subject to changes. Please refer to the installation instructions.



ONCE UPON A TIME...WATER®

1355, 2<sup>nd</sup> Street, Industrial Park  
Sainte-Marie (Québec)  
Canada G6E 1G9

T 418-387-9090  
1-877-GO-KALIA (1-87-465-2542)  
F 418 387-9089

KaliaStyle.com

