



ONCE UPON A TIME...WATER®

**GRAFIK™**

# BF1706-XXX-201

**PREMIA: CALGreen TCD1 Thermostatic Coaxial Shower System**

## SPÉCIFICATIONS



### Components included

- BF1398-XXX: Rainhead with vertical ceiling arm (2 direct positions and 1 shared position)
- 103579-XXX: 2-jet handshower (2 direct positions and 1 shared position)
- 103576: Wallbar
- 101620-XXX: 60" flexible and soft PVC hose
- BF1695: 2-way AQUATONIK type T/P 1/2" coaxial valve with diverter
- 102856: Wall outlet

### Colors (Finishes)

- Chrome: BF1706-110-201
- Chrome and black: BF1706-150-201

*\* XXX means that the finish color must be specified.*

### Certifications

*The specified model meets or exceeds the following standards;*



*See the following sheets for the technical features of each component.*

### Installation Notes

This product must be installed following the installation instructions provided.

### WARRANTY

Kalia Inc. guarantees all aspects of its products to be free of defects in material and workmanship for normal residential use. **Refer to the warranty included with the Kalia products for details.**



ONCE UPON A TIME...WATER®

1355, 2<sup>nd</sup> Street  
Sainte-Marie (Quebec)  
Canada G6E 1G9

T 418-387-9090  
1-877-GO-KALIA (1-877-465-2542)  
F 418-387-9089

**KaliaStyle.com**





ONCE UPON A TIME...WATER®

# BF1398

## PREMIA: Rainhead with vertical ceiling arm

### SPECIFICATIONS

#### Features

- Water 1/2" male inlet NPT
- Dimensions: 200 x 319.5 mm (7 7/8" x 12 1/2")
- Anti-scale system with soft sprays
- Adjustable orientation swivel
- 2 direct positions and 1 shared position

#### Colors (Finishes)

- Chrome : BF1398-110
- Chrome and black : BF1398-150

#### Packaging

- **Dimensions:** 340 mm x 210 mm x 82 mm (13 1/3" x 8 1/4" x 3 1/4")
- **Volume:** 0.21 cu ft (0.06 cu m)
- **Total weight:** 3,53 lb (1,6 kg)

#### Maximum flow rate

- 9.5 liters/min. (2.5 gallons/min.) at 80 psi



#### Certifications

The specified model meets or exceeds the following standards;

- ASME A112.18.1 / CSA B125.1



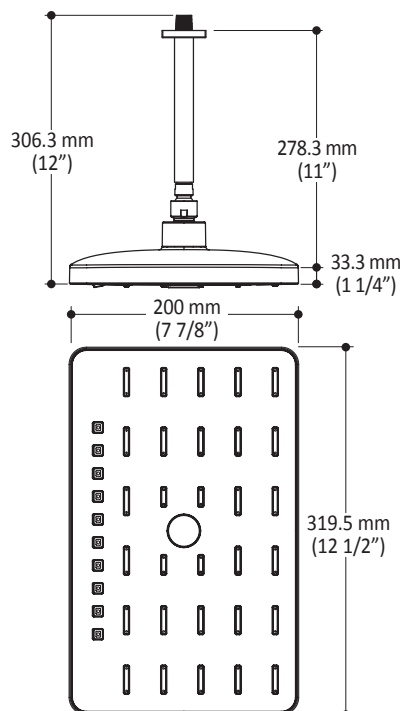
#### Installation Notes

This product must be installed following the installation instructions provided.

#### WARRANTY

Kalia inc. guarantees all aspects of its products to be free of defects in material and workmanship for normal residential use. Refer to the warranty included with the Kalia products for details.

Product dimensions:



Important : Dimensions are approximated and are subject to changes. Please refer to the installation instructions.



ONCE UPON A TIME...WATER®

1355, 2<sup>nd</sup> Street  
Sainte-Marie (Quebec)  
Canada G6E 1G9

T 418-387-9090  
1-877-GO-KALIA (1-877-465-2542)  
F 418-387-9089

KaliaStyle.com





ONCE UPON A TIME...WATER®

103579

PREMIA: 2-jet handshower

SPECIFICATIONS

Features

- Dimension: 86 mm (3 3/8")
- Anti-scale system with soft sprays
- Water G1/2 male inlet
- 2 direct positions and 1 shared position

Colors (Finishes)

- Chrome : 103579-110
- Chrome and black : 103579-150

Certifications

The specified model meets or exceeds the following standards;

- ASME A112.18.1 / CSA B125.1



Packaging

- **Dimensions:** 272 mm x 108 mm x 45 mm (10 3/4" x 4 1/4" x 1 3/4")
- **Volume:** 0.05 cu ft (0.0013 cu m)
- **Total weight:** 0.57 lb (0.26 kg)

Maximum flow rate

- 9.5 liters/min. (2.5 gallons/min.) at 80 psi



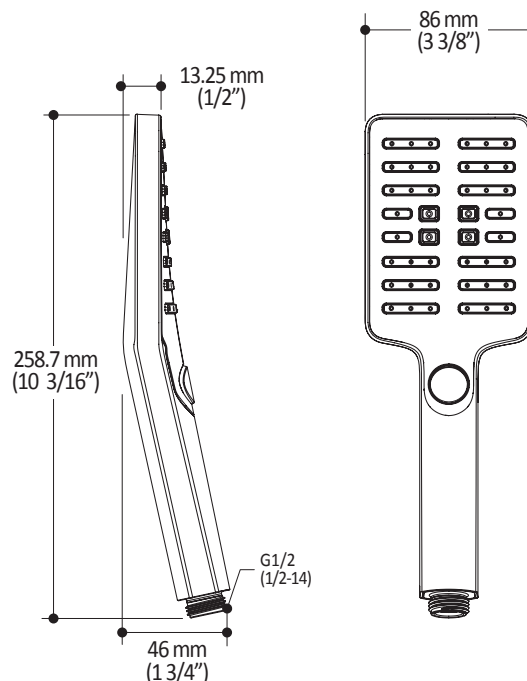
Installation Notes

This product must be installed following the installation instructions provided.

WARRANTY

Kalia inc. guarantees all aspects of its products to be free of defects in material and workmanship for normal residential use. Refer to the warranty included with the Kalia products for details.

Product dimensions:



Important : Dimensions are approximated and are subject to changes. Please refer to the installation instructions.



ONCE UPON A TIME...WATER®

1355, 2<sup>nd</sup> Street  
Sainte-Marie (Quebec)  
Canada G6E 1G9

T 418-387-9090  
1-877-GO-KALIA (1-877-465-2542)  
F 418-387-9089

KaliaStyle.com





ONCE UPON A TIME...WATER®

103576

Wallbar for handshower

**SPECIFICATIONS**

**Features**

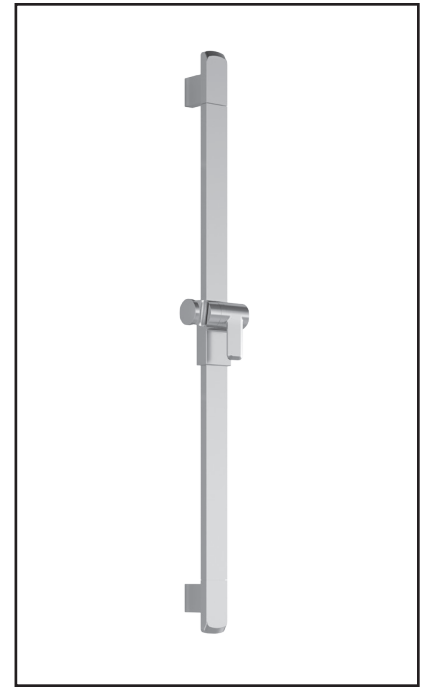
- Total height of 775 mm (30 1/2")
- Easy-to-use gliding system
- Locking system

**Colors (Finishes)**

- Chrome : 103576-110

**Packaging**

- **Dimensions:** 798 mm x 205 mm x 89 mm (31 1/2" x 8" x 3 1/2")
- **Volume:** 0.27 cu ft (0.010 cu m)
- **Total weight:** 1.54 lb (0.7 kg)



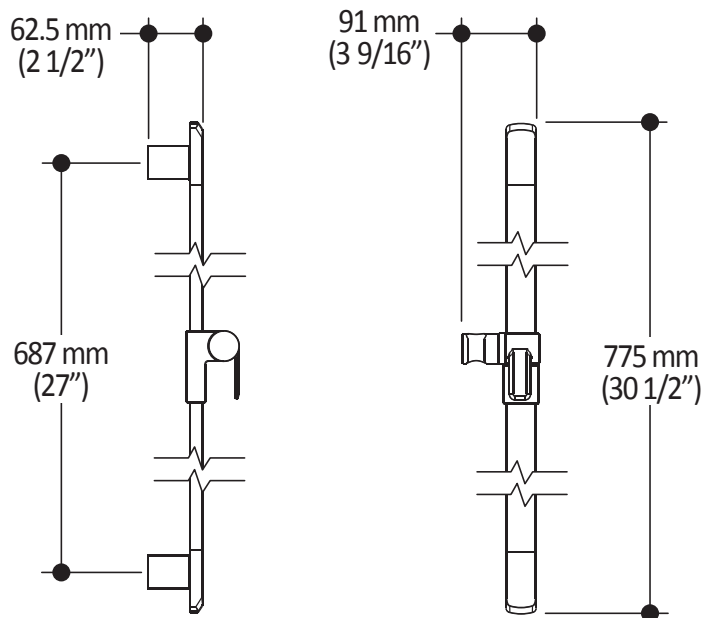
**Installation Notes**

This product must be installed following the installation instructions provided.

**WARRANTY**

Kalia Inc. guarantees all aspects of its products to be free of defects in material and workmanship for normal residential use. **Refer to the warranty included with the Kalia products for details.**

*Product dimensions:*



**Important :** Dimensions are approximated and are subject to changes. Please refer to the installation instructions.



ONCE UPON A TIME...WATER®

1355, 2<sup>nd</sup> Street  
Sainte-Marie (Quebec)  
Canada G6E 1G9

T 418-387-9090  
1-877-GO-KALIA (1-877-465-2542)  
F 418-387-9089

[KaliaStyle.com](http://KaliaStyle.com)





ONCE UPON A TIME...WATER®

GRAFİK™

BF1695

CalGreen 2-way AQUATONIK™ type T/P 1/2" coaxial valve with diverter and decorative trim

SPECIFICATIONS

Features

- Solid brass construction
- No visible screw
- Integrated service stops
- Two male water inlets 1/2NPT threaded or welded
- Two male water outlets 1/2NPT threaded or welded
- Total adjustment of 32 mm (1 1/4")
- Can be installed back-to-back
- Support for better stability during installation included

Colors (Finishes)

- Chrome : BF1695-110

Certifications

The specified model meets or exceeds the following standards;

- ASME A112.18.1 / CSA B125.1
- ICCA117.1



Packaging

- **Dimensions:** 370 mm x 190 mm x 205 mm (14 5/8" x 7 1/2" x 8 1/8")
- **Volume:** 0.014 m³ (0.51 pi³)
- **Total weight:** 2.32 kg (5.1 lb)

Maximum flow rate

- 1 outlet = 25 L/min (6.6 gpm) at 60 psi



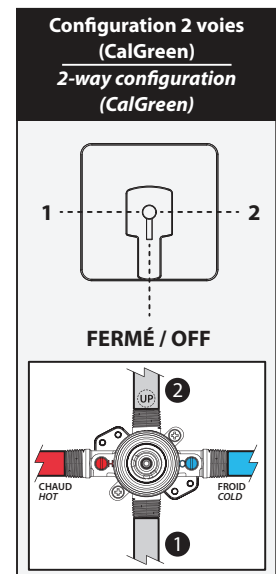
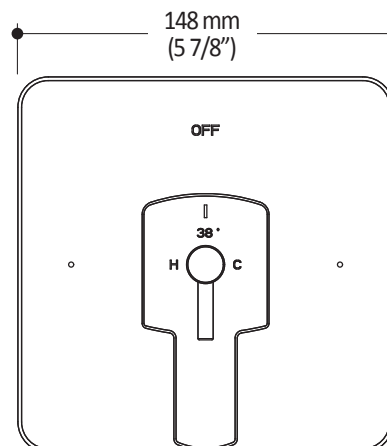
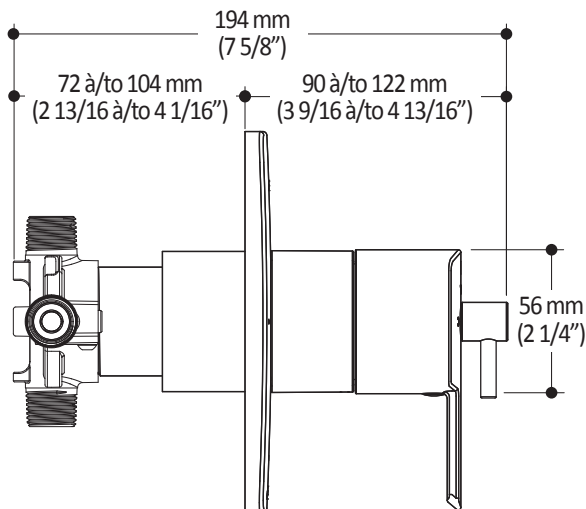
Installation Notes

This product must be installed following the installation instructions provided.

WARRANTY

Kalia Inc. guarantees all aspects of its products to be free of defects in material and workmanship for normal residential use. Refer to the warranty included with the Kalia products for details.

Product dimensions:



Important: Dimensions are approximated and are subject to changes. Please refer to the installation instructions.



ONCE UPON A TIME...WATER®

1355, 2° Rue, Parc industriel  
Sainte-Marie (Québec)  
Canada G6E 1G9

T 418-387-9090  
1-877-GO-KALIA (1-877-465-2542)  
F 418-87-9089

KaliaStyle.com





# 102856 Wall Outlet

## SPECIFICATIONS

### Features

- Water 1/2" NPT (male or female) inlet
- Water G1/2 male outlet
- Solid brass construction

### Colors (Finishes)

- Chrome : 102856-110

### Certifications

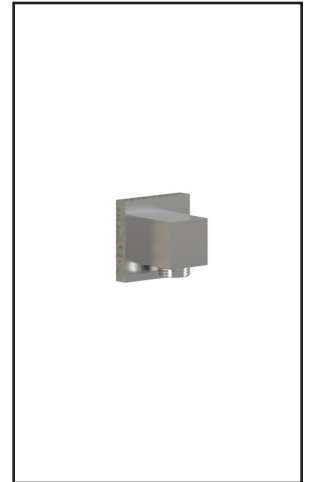
The specified model meets or exceeds the following standards;

- ASME A112.18.1 / CSA B125.1



### Packaging

- **Dimensions:** 305mm x 117mm x 92mm (12" x 4 5/8" x 3 5/8")
- **Volume:** 0.12 cu ft (0.003 cu m)
- **Total weight:** 0.53 lb (0.24 kg)



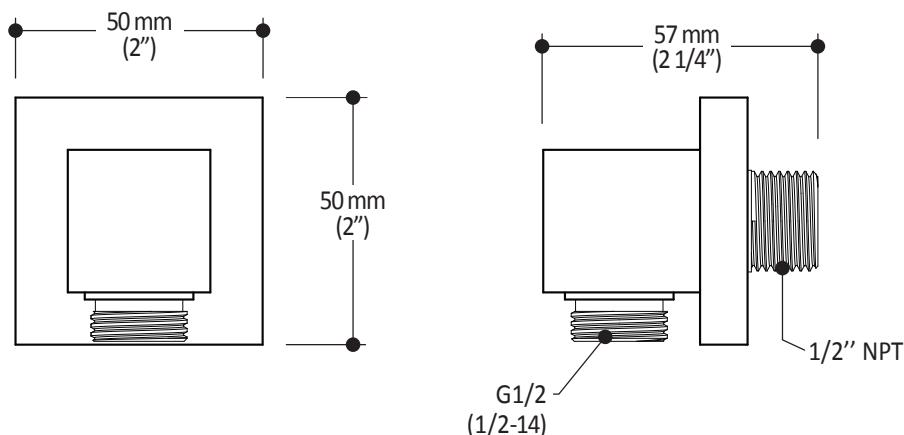
### Installation Notes

This product must be installed following the installation instructions provided.

### WARRANTY

Kalia Inc. guarantees all aspects of its products to be free of defects in material and workmanship for normal residential use. **Refer to the warranty included with the Kalia products for details.**

Product dimensions:



**Important:** Dimensions are approximated and are subject to changes. Please refer to the installation instructions.

**Kalia inc.**  
1355, 2nd Street  
Sainte-Marie (Quebec)  
Canada G6E 1G9

t. 1-418-387-9090  
1 877 GO KALIA (1-877-465-2542)  
f. 1-418-387-9089  
www.KaliaStyle.com