



ONCE UPON A TIME...WATER®

BF1704-XXX-101**PLUS: TCG1 Thermostatic Coaxial Shower System CALgreen****SPECIFICATIONS****Components included**

- BF1379-XXX * : Rainhead with vertical ceiling arm
- 102850-XXX * : 2-jet handshower
- 101323-XXX * : Wallbar
- 101620-XXX * : 60" flexible and soft PVC hose
- BF1694-XXX * : CALgreen 2-way AQUATONIK type T/P 1/2" coaxial valve with diverter
- 102847-XXX * : Wall outlet

* XXX means that the finish color must be specified.

Colors (Finishes)

- Chrome : BF1704-110-101
- Brushed Nickel PVD : BF1704-120-101

Certifications

The specified model meets or exceeds the following standards;



See the following sheets for the technical features of each component.

Installation Notes

This product must be installed following the installation instructions provided.

WARRANTY

Kalia Inc. guarantees all aspects of its products to be free of defects in material and workmanship for normal residential use. **Refer to the warranty included with the Kalia products for details.**



ONCE UPON A TIME...WATER®

1355, 2nd Street
Sainte-Marie (Quebec)
Canada G6E 1G9

T 418-387-9090
1-877-GO-KALIA (1-877-465-2542)
F 418-387-9089

KaliaStyle.com





BF1379

PLUS: Rainhead and Vertical Ceiling Arm

SPECIFICATIONS

Features

- Water 1/2" male inlet NPT
- Diameter of 254mm (10")
- Anti-scale system with soft sprays
- Adjustable orientation swivel
- PVD finish (Physical Vapour Deposit): A high technology process that protects the surface finish for increased durability

Colors (Finishes)

- Chrome : BF1379-110
- Brushed Nickel PVD : BF1379-120

Certifications

The specified model meets or exceeds the following standards;

- ASME A112.18.1 / CSA B125.1



Packaging

- **Dimensions:** 406mm x 324mm x 133mm (16" x 12 3/4" x 5 1/4")
- **Volume:** 0.62 cu ft (0.018 cu m)
- **Total weight:** 3.11 lb (1.411 kg)

Maximum flow rate

- 9.5 liters/min. (2.5 gallons/min.) at 80 psi



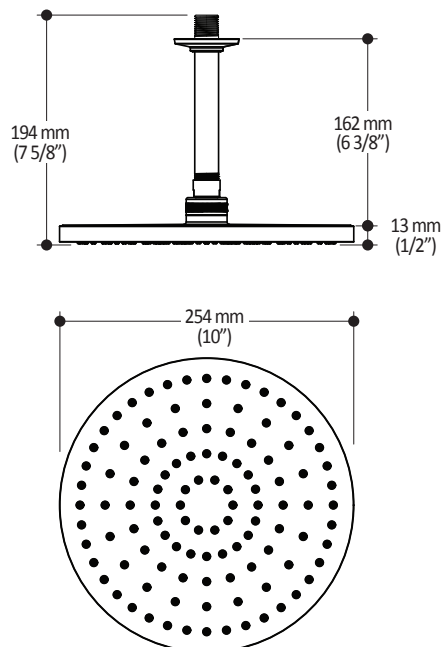
Installation Notes

This product must be installed following the installation instructions provided.

WARRANTY

Kalia Inc. guarantees all aspects of its products to be free of defects in material and workmanship for normal residential use. **Refer to the warranty included with the Kalia products for details.**

Product dimensions:



Important: Dimensions are approximated and are subject to changes. Please refer to the installation instructions.

Kalia inc.
1355, 2nd Street
Sainte-Marie (Quebec)
Canada G6E 1G9

t. 1-418-387-9090
1 877 GO KALIA (1-877-465-2542)
f. 1-418-387-9089
www.KaliaStyle.com



Kalia

ONCE UPON A TIME...WATER®

102850

PLUS: 2-Jet Handshower

SPECIFICATIONS

Features

- Diameter of 121mm (4 3/4")
- Anti-scale system with soft sprays
- Water G1/2 male inlet
- 2 direct positions and 1 shared position
- PVD finish (Physical Vapour Deposit): A high technology process that protects the surface finish for increased durability

Colors (Finishes)

- Chrome : 102850-110
- Brushed Nickel PVD : 102850-120

Certifications

The specified model meets or exceeds the following standards;

- ASME A112.18.1 / CSA B125.1

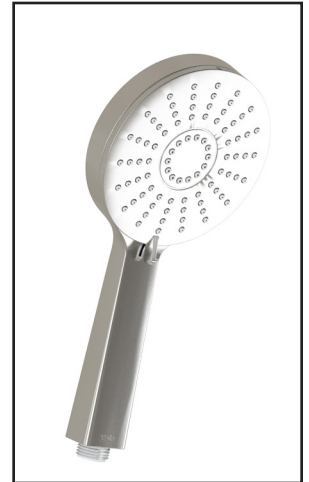


Packaging

- **Dimensions:** 349mm x 171mm x 178mm (13 3/4" x 6 3/4" x 7")
- **Volume:** 0.375 cu ft (0.01 cu m)
- **Total weight:** 0.69 lb (0.315 kg)

Maximum flow rate

- 9.5 liters/min. (2.5 gallons/min.) at 80 psi



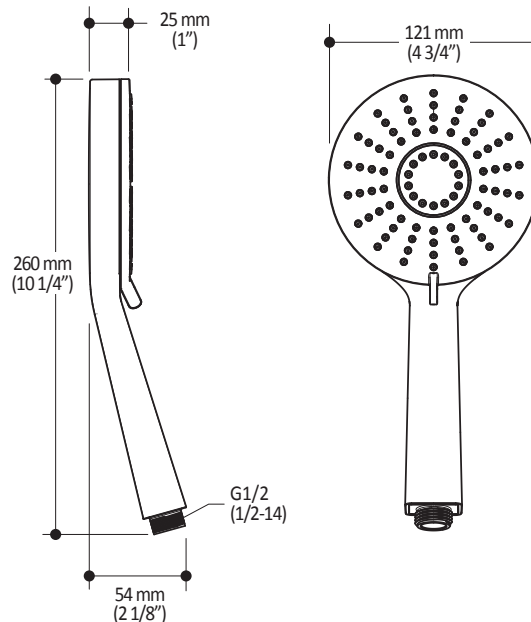
Installation Notes

This product must be installed following the installation instructions provided.

WARRANTY

Kalia Inc. guarantees all aspects of its products to be free of defects in material and workmanship for normal residential use. **Refer to the warranty included with the Kalia products for details.**

Product dimensions:



Important: Dimensions are approximated and are subject to changes. Please refer to the installation instructions.



Kalia

ONCE UPON A TIME...WATER®

1355, 2nd Street
Sainte-Marie (Quebec)
Canada G6E 1G9

T 418-387-9090
1-877-GO-KALIA (1-877-465-2542)
F 418-387-9089

KaliaStyle.com



**Features**

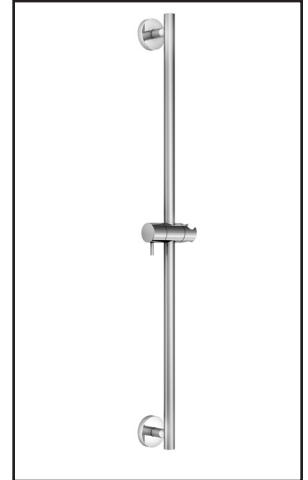
- Total height of 762mm (30")
- Locking system of 1/4 turn
- PVD finish (Physical Vapour Deposit): A high technology process that protects the surface finish for increased durability

Colors (Finishes)

- Chrome : 101323-110
- Brushed Nickel PVD : 101323-120

Packaging

- **Dimensions:** 832mm x 152mm x 89mm
(32 3/4" x 6" x 3 1/2")
- **Volume:** 0.40 cu ft (0.011 cu m)
- **Total weight:** 1.9 lb (0.86 kg)

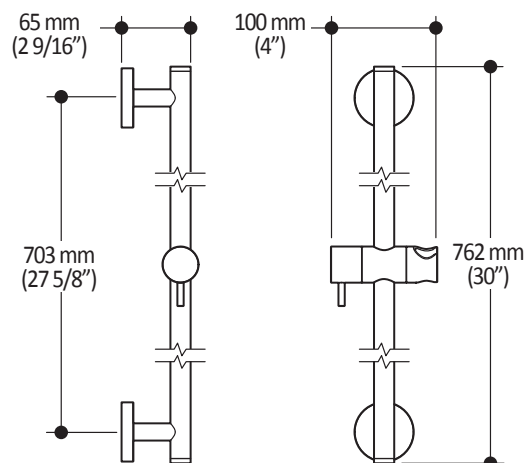
**Installation Notes**

This product must be installed following the installation instructions provided.

WARRANTY

Kalia Inc. guarantees all aspects of its products to be free of defects in material and workmanship for normal residential use. **Refer to the warranty included with the Kalia products for details.**

Product dimensions:



Important: Dimensions are approximated and are subject to changes. Please refer to the installation instructions.

Kalia inc.
1355, 2nd Street
Sainte-Marie (Quebec)
Canada G6E 1G9

t. 1-418-387-9090
1 877 GO KALIA (1-877-465-2542)
f. 1-418-387-9089
www.KaliaStyle.com

Features

- Solid brass construction
- No visible screw
- Integrated service stops
- Two male water inlets 1/2NPT threaded or welded
- Two male water outlets 1/2NPT threaded or welded
- Total adjustment of 32 mm (1 1/4")
- Can be installed back-to-back
- Support for better stability during installation included

Colors (Finishes)

- Chrome : BF1694-110
- Brushed Nickel PVD : BF1694-120

Certifications

The specified model meets or exceeds the following standards;

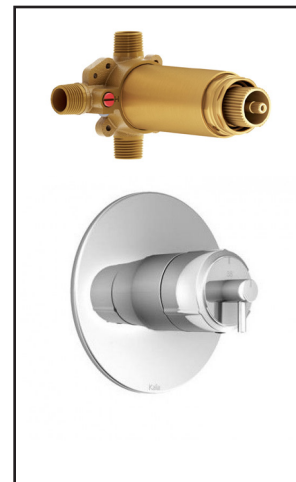
- ASME A112.18.1 / CSA B125.1
- ICC A117.1

**Packaging**

- **Dimensions:** 370 mm x 190 mm x 205 mm (14 5/8" x 7 1/2" x 8 1/8")
- **Volume:** 0.014 m³ (0.51 pi³)
- **Total weight:** 2.36 kg (5.25 lb)

Maximum flow rate

- 1 outlet = 25 L/min (6.6 gpm) at 60 psi

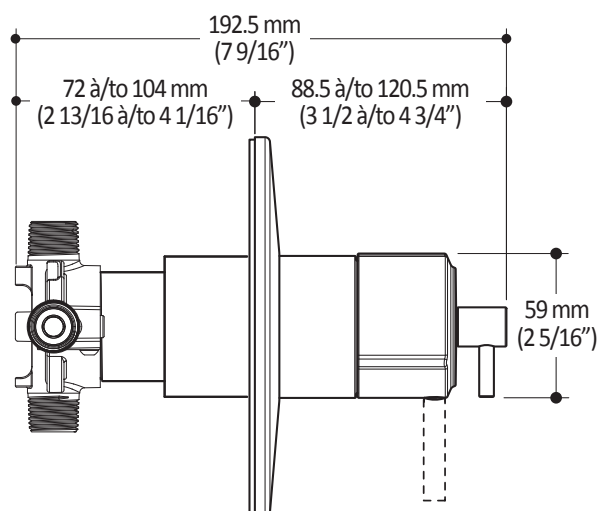
**Installation Notes**

This product must be installed following the installation instructions provided.

WARRANTY

Kalia Inc. guarantees all aspects of its products to be free of defects in material and workmanship for normal residential use. **Refer to the warranty included with the Kalia products for details.**

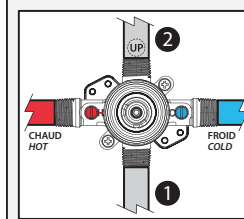
Product dimensions:



**Configuration 2 voies
(CalGreen)
2-way configuration
(CalGreen)**



FERMÉ / OFF



Important: Dimensions are approximated and are subject to changes. Please refer to the installation instructions.



102847 Wall Outlet

SPECIFICATIONS

Features

- Water 1/2" NPT (male or female) inlet
- Water G1/2 male outlet
- Solid brass construction
- PVD finish (Physical Vapour Deposit): A high technology process that protects the surface finish for increased durability

Colors (Finishes)

- Chrome : 102847-110
- Brushed Nickel PVD : 102847-120

Certifications

The specified model meets or exceeds the following standards;

- ASME A112.18.1 / CSA B125.1



Packaging

- **Dimensions:** 305mm x 117mm x 92mm (12" x 4 5/8" x 3 5/8")
- **Volume:** 0.12 cu ft (0.003 cu m)
- **Total weight:** 0.40 lb (0.18 kg)



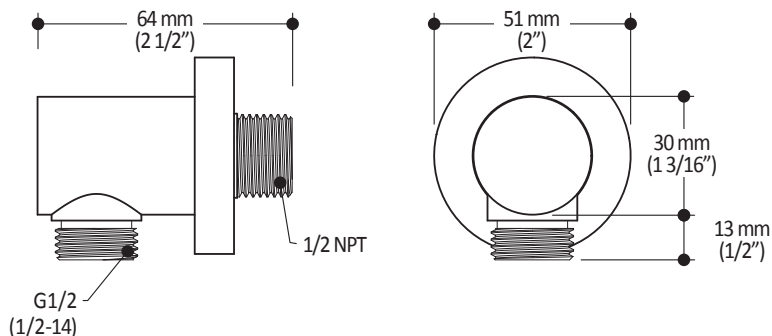
Installation Notes

This product must be installed following the installation instructions provided.

WARRANTY

Kalia Inc. guarantees all aspects of its products to be free of defects in material and workmanship for normal residential use. **Refer to the warranty included with the Kalia products for details.**

Product dimensions:



Important: Dimensions are approximated and are subject to changes. Please refer to the installation instructions.

Kalia inc.
1355, 2nd Street
Sainte-Marie (Quebec)
Canada G6E 1G9

t. 1-418-387-9090
1 877 GO KALIA (1-877-465-2542)
f. 1-418-387-9089
www.KaliaStyle.com