

Features

- Solid brass construction
- No visible screw
- Integrated service stops
- Two male water inlets 1/2NPT threaded or welded
- Two male water outlets 1/2NPT threaded or welded
- Total adjustment of 32 mm (1 1/4")
- Can be installed back-to-back
- Support for better stability during installation included

Colors (Finishes)

- Chrome : BF1694-110
- Brushed Nickel PVD : BF1694-120

Certifications

The specified model meets or exceeds the following standards;

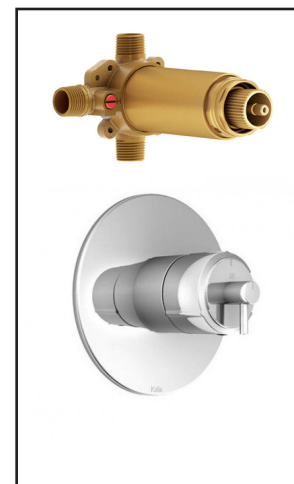
- ASME A112.18.1 / CSA B125.1
- ICC A117.1

**Packaging**

- **Dimensions:** 370 mm x 190 mm x 205 mm (14 5/8" x 7 1/2" x 8 1/8")
- **Volume:** 0.014 m³ (0.51 pi³)
- **Total weight:** 2.36 kg (5.25 lb)

Maximum flow rate

- 1 outlet = 25 L/min (6.6 gpm) at 60 psi

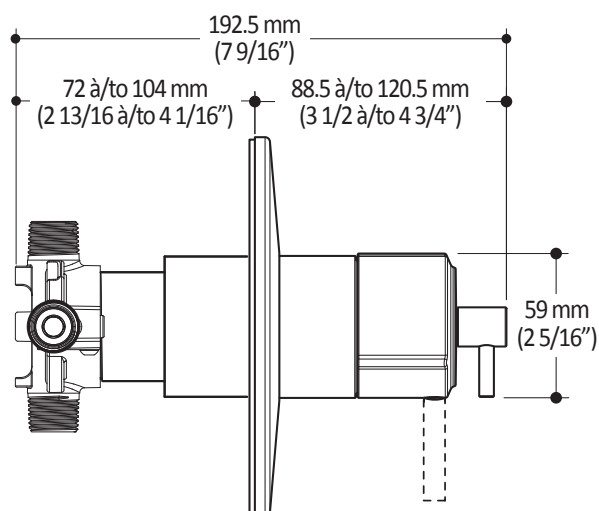
**Installation Notes**

This product must be installed following the installation instructions provided.

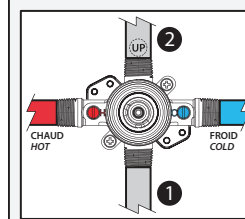
WARRANTY

Kalia Inc. guarantees all aspects of its products to be free of defects in material and workmanship for normal residential use. **Refer to the warranty included with the Kalia products for details.**

Product dimensions:


**Configuration 2 voies
(CalGreen)
2-way configuration
(CalGreen)**


FERMÉ / OFF



Important: Dimensions are approximated and are subject to changes. Please refer to the installation instructions.