



ONCE UPON A TIME...WATER®

GRAFIK™

BF1610-110-100

PLUS: TG3 Thermostatic Shower System

SPECIFICATIONS

Components included

- BF1307-110: AQUATONIK™ type T/P 1/2" valve and decorative trim
- BF1608-110: CalGreen 3-way 1/2" diverter and decorative trim (operates 1 component at a time)
- BF1395-110: Rainhead with 90° wall arm
- 102860-110: 2-jet handshower (2 direct functions and 1 shared function)
- 103576-110: Wallbar
- 101620-110: 60" flexible and soft PVC hose
- 102856-110: Wall outlet
- 102871-110: Tub spout

Colors (Finishes)

- Chrome: BF1610-110-100

Certifications

The specified model meets or exceeds the following standards;



See the following sheets for the technical features of each component.

Installation Notes

This product must be installed following the installation instructions provided.

WARRANTY

Kalia Inc. guarantees all aspects of its products to be free of defects in material and workmanship for normal residential use. **Refer to the warranty included with the Kalia products for details.**



ONCE UPON A TIME...WATER®

1355, 2nd Street, Industrial Park
Sainte-Marie (Québec)
Canada G6E 1G9

T 418-387-9090
1-877-GO-KALIA (1-877- 465-2542)
F 418 387-9089

KaliaStyle.com





Kalia

ONCE UPON A TIME...WATER®

GRAFIK™

BF1395

PLUS: Rainhead and 90° Wallarm

SPECIFICATIONS

Features

- Male water inlet 1/2 NPT
- Rainhead dimension: 251 x 251mm (9 7/8" x 9 7/8")
- Soft tips for easy cleaning of limescale
- Adjustable orientation swivel
- Solid brass arm and plastic rainhead construction

Colors (Finishes)

- Chrome : BF1395-110

Maximum flow rate

- 9.5 L/min (2.5 gpm) at 80 psi



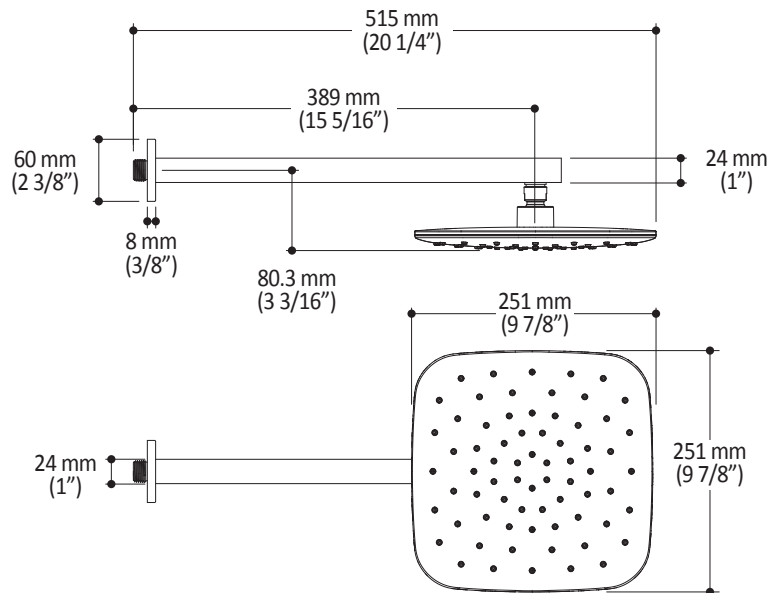
Installation Notes

This product must be installed following the installation instructions provided.

WARRANTY

Kalia Inc. guarantees all aspects of its products to be free of defects in material and workmanship for normal residential use. **Refer to the warranty included with the Kalia products for details.**

Product dimensions:



Important: Dimensions are approximated and are subject to changes. Please refer to the installation instructions.



Kalia

ONCE UPON A TIME...WATER®

1355, 2nd Street, Industrial Park
Sainte-Marie (Québec)
Canada G6E 1G9

T 418-387-9090
1-877-GO-KALIA (1-87- 465-2542)
F 418 387-9089

KaliaStyle.com





BF1406

PLUS: 2-jet Handshower, Wallbar, 60" PVC Hose Assembly

SPECIFICATIONS

Features

2-jet handshower :

- Dimension 121mm (4 3/4")
- Anti-scale system with soft sprays
- Water G1/2 male inlet
- 2 positions

Wallbar :

- Total height of 699mm (27 1/2")
- Locking system of 1/4 turn

60" flexible and soft pvc hose :

- 1/2 female connection

Colors (Finishes)

- Chrome : BF1406-110

Certifications

The specified model meets or exceeds the following standards;

- ASME A112.18.1 / CSA B125.1



Packaging

- **Dimensions:** 832mm x 152mm x 89mm (32 3/4" x 6" x 3 1/2")
- **Volume:** 0.40 cu ft (0.011 cu m)
- **Total weight:** 2.91 lb (1.32 kg)

Maximum flow rate

- 9.5 liters/min. (2.5 gallons/min.) at 80 psi



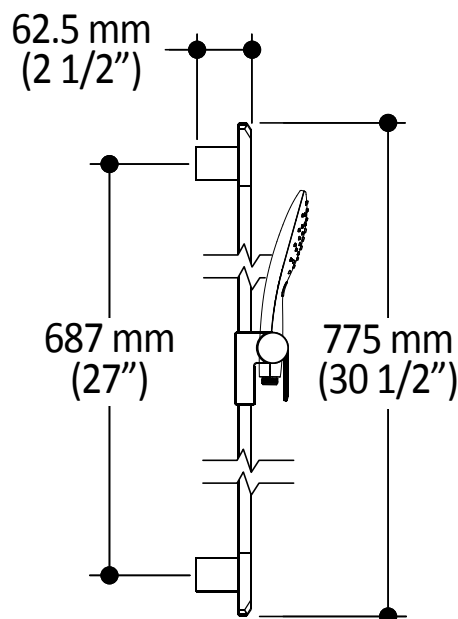
Installation Notes

This product must be installed following the installation instructions provided.

WARRANTY

Kalia Inc. guarantees all aspects of its products to be free of defects in material and workmanship for normal residential use. **Refer to the warranty included with the Kalia products for details.**

Product dimensions:



Important: Dimensions are approximated and are subject to changes. Please refer to the installation instructions.

Kalia inc.
1355, 2nd Street
Sainte-Marie (Quebec)
Canada G6E 1G9

t. 1-418-387-9090
1 877 GO KALIA (1-877-465-2542)
f. 1-418-387-9089
www.KaliaStyle.com



ONCE UPON A TIME...WATER®

GRAFIK™

BF1307

AQUATONIK™ type T/P 1/2" valve and decorative trim

SPECIFICATIONS

Features

- Solid brass construction
- No visible screw
- Integrated service stops with check valve
- Male water inlet 1/2NPT threaded or welded
- Can be installed back-to-back
- Total adjustment of 19 mm (3/4")

Colors (Finishes)

- Chrome : BF1307-110

Certifications

The specified model meets or exceeds the following standards;

- ASME A112.18.1 / CSA B125.1
- ICC A117.1



Packaging

- **Dimensions:** 370 mm x 190 mm x 205 mm (14 5/8 x 7 1/2 x 8 1/8)
- **Volume:** 0.014 cu m (0.51 cu ft)
- **Total weight:** 2.48 kg (5.47 lb)

Maximum flow rate

- 30 liters/min. (7.9 gallons/min.) at 60 psi



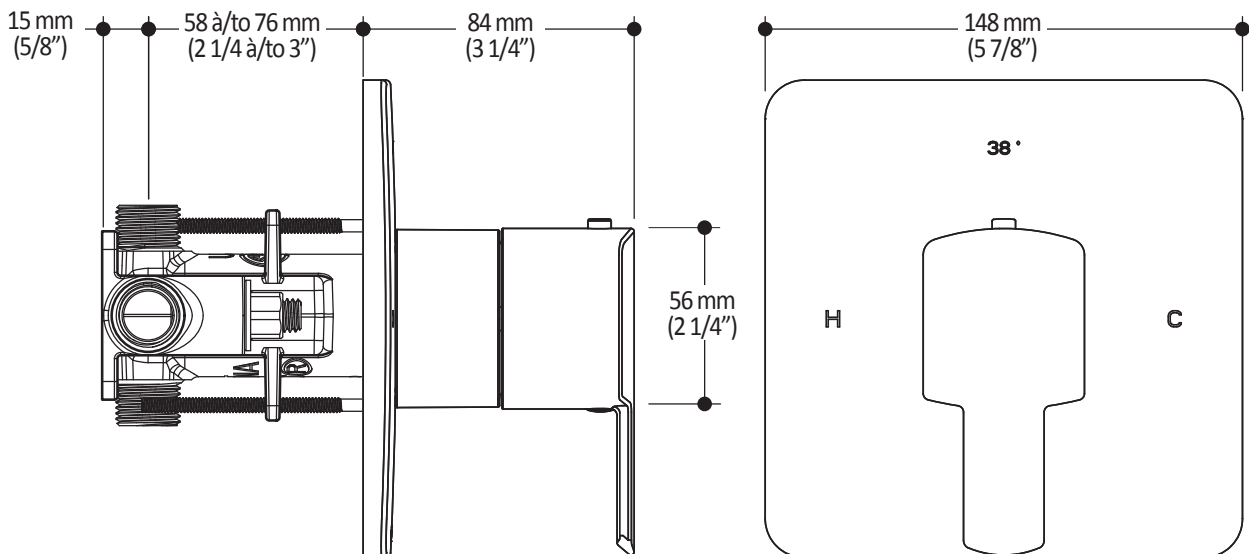
Installation Notes

This product must be installed following the installation instructions provided.

WARRANTY

Kalia Inc. guarantees all aspects of its products to be free of defects in material and workmanship for normal residential use. Refer to the warranty included with the Kalia products for details.

Product dimensions:



Important: Dimensions are approximated and are subject to changes. Please refer to the installation instructions.



ONCE UPON A TIME...WATER®

1355, 2° Rue, Parc industriel
Sainte-Marie (Québec)
Canada G6E 1G9

T 418-387-9090
1-877-GO-KALIA (1-877-465-2542)
F 418 -87-9089

KaliaStyle.com





ONCE UPON A TIME...WATER®

GRAFİK™

BF1608 CalGreen 3-way 1/2" diverter and Decorative Trim

SPECIFICATIONS

Features

- Solid brass construction
- No visible screw
- Male water inlet 1/2NPT threaded or welded
- Total adjustment of 19 mm (3/4")
- Support for better stability during installation included
- Operates 1 component at a time

Colors (Finishes)

- Chrome : BF1608-110

Certifications

The specified model meets or exceeds the following standards;



Packaging

- **Dimensions :**
315 mm x 125 mm x 115 mm
(12 3/8" x 4 7/8" x 4 1/2")
- **Volume:** 0.004 cu m (0.16 cu ft)
- **Total weight:** 1.22 kg (2.69 lb)

Maximum flow rate

- 1 outlet: 22 liters/min.
(5.8 gallons/min.) at 60 psi



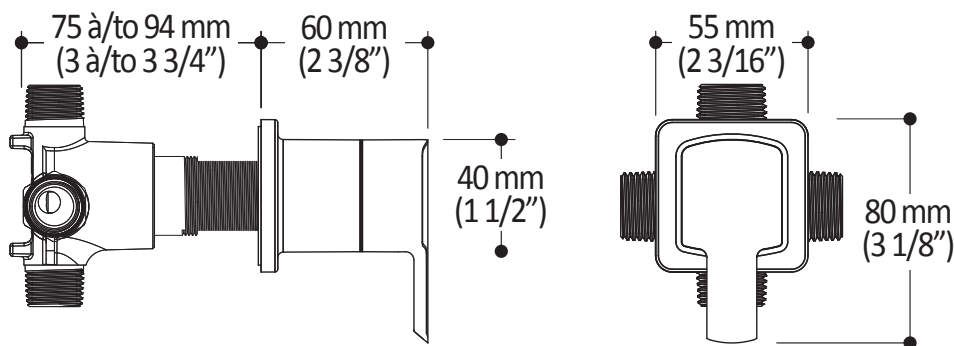
Installation Notes

This product must be installed following the installation instructions provided.

WARRANTY

Kalia Inc. guarantees all aspects of its products to be free of defects in material and workmanship for normal residential use. **Refer to the warranty included with the Kalia products for details.**

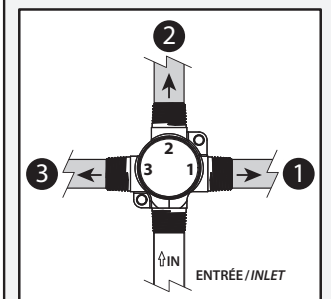
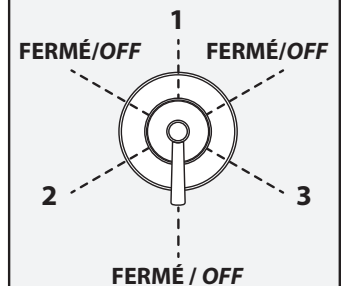
Product dimensions:



Important: Dimensions are approximated and are subject to changes. Please refer to the installation instructions.

Configuration 3 voies (CalGreen)

3-way configuration (CalGreen)



ONCE UPON A TIME...WATER®

1355, 2nd Street, Industrial Park
Sainte-Marie (Québec)
Canada G6E 1G9

T 418-387-9090
1-877-GO-KALIA (1-87- 465-2542)
F 418 387-9089

KaliaStyle.com





ONCE UPON A TIME...WATER®

102856 Square Wall Outlet

SPECIFICATIONS

Features

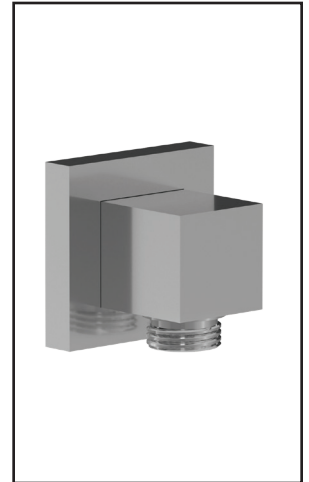
- Male or female water inlet 1/2NPT
- Male water outlet G1/2
- Solid brass construction

Colors (Finishes)

- Chrome: 102856-110
- Matte black: 102856-160

Certifications

The specified model meets or exceeds the following standards;



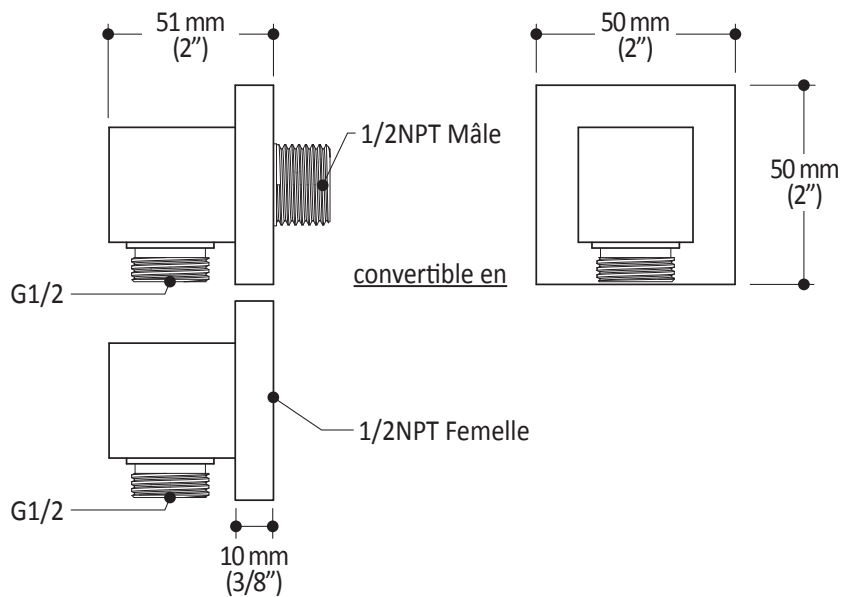
Installation Notes

This product must be installed following the installation instructions provided.

WARRANTY

Kalia Inc. guarantees all aspects of its products to be free of defects in material and workmanship for normal residential use. **Refer to the warranty included with the Kalia products for details.**

Product dimensions:



Important: Dimensions are approximated and are subject to changes. Please refer to the installation instructions.



ONCE UPON A TIME...WATER®

1355, 2nd Street, Industrial Park
Sainte-Marie (Québec)
Canada G6E 1G9

T 418-387-9090
1-877-GO-KALIA (1-87-465-2542)
F 418 387-9089

KaliaStyle.com





ONCE UPON A TIME...WATER®

102871 Tub Spout

SPÉCIFICATIONS

Features

- Male water inlet 1/2NPT
- Solid brass construction
- Regular water jet
- High water flow

Colors (Finishes)

- Chrome : 102871-110

Certifications

The specified model meets or exceeds the following standards;



CSA B125.1
ASME A112.18.1

Packaging

- **Dimensions:**
340 mm x 300 mm x 60 mm
(13 3/8" x 11 3/4" x 2 3/8")
- **Volume:** 0.006 cu m (0.22 cu ft)
- **Total weight:** 0.7 kg (1.54 lb)



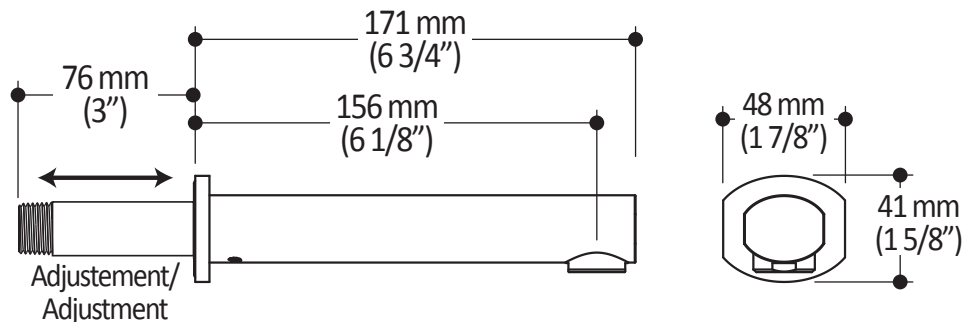
Installation Notes

This product must be installed following the installation instructions provided.

WARRANTY

Kalia Inc. guarantees all aspects of its products to be free of defects in material and workmanship for normal residential use. **Refer to the warranty included with the Kalia products for details.**

Product dimensions:



Important: Dimensions are approximated and are subject to changes. Please refer to the installation instructions.



ONCE UPON A TIME...WATER®

1355, 2nd Street, Industrial Park
Sainte-Marie (Québec)
Canada G6E 1G9

T 418-387-9090
1-877-GO-KALIA (1-87- 465-2542)
F 418 387-9089

KaliaStyle.com

