



# Kalia

ONCE UPON A TIME...WATER®

# RUSTIK™

## BF1530-110

### STANDARD: TG2 Thermostatic Shower System

### SPECIFICATIONS

#### Components included

- BF1507-110: Rainhead with 90° wall arm
- 103604-110: Handshower
- 103608-110: Solid brass wallbar
- 105007-110: 60" flexible metal hose
- BF1524-110: AQUATONIK™ type T/P 1/2" valve and decorative trim
- BF1623-110: CalGreen 2-way 1/2" diverter and decorative trim (operates 1 component at a time)
- 102847-110: Wall outlet

#### Colors (Finishes)

- Chrome: BF1530-110

#### Certifications

The specified model meets or exceeds the following standards;



See the following sheets for the technical features of each component.

#### Installation Notes

This product must be installed following the installation instructions provided.

#### WARRANTY

Kalia Inc. guarantees all aspects of its products to be free of defects in material and workmanship for normal residential use. **Refer to the warranty included with the Kalia products for details.**



ONCE UPON A TIME...WATER®

1355, 2<sup>nd</sup> Street, Industrial Park  
Sainte-Marie (Québec)  
Canada G6E 1G9

T 418-387-9090  
1-877-GO-KALIA (1-87- 465-2542)  
F 418 387-9089

KaliaStyle.com





ONCE UPON A TIME...WATER®

**RUSTIK<sup>MC</sup>**

# BF1507 STANDARD: Rainhead with 90° Wall arm

## SPECIFICATIONS

### Features

- Male water inlet 1/2NPT
- Diameter: 225 mm (8 7/8")
- Anti-scale system with soft sprays
- Adjustable orientation swivel
- Solid brass construction rainhead

### Colors (Finishes)

- Chrome : BF1507-110

### Certifications

The specified model meets or exceeds the following standards;



### Packaging

- **Dimensions:**  
465 mm x 330 mm x 160 mm  
(18 1/4" x 13" x 6 1/4")
- **Volume:** 0.02 cu m (0.87 cu ft)
- **Total weight:** 2.45 kg (5.4 lb)

### Maximum flow rate

- 9.5 liters/min. (2.5 gallons/min.)  
at 80 psi



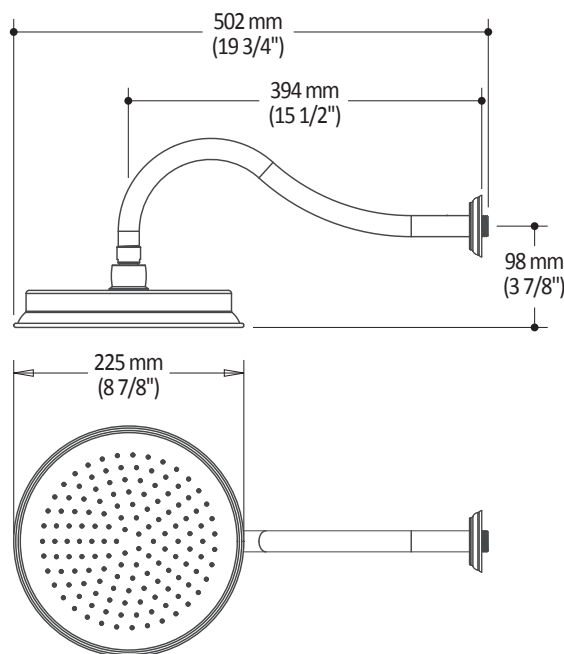
### Installation Notes

This product must be installed following the installation instructions provided.

### WARRANTY

Kalia Inc. guarantees all aspects of its products to be free of defects in material and workmanship for normal residential use. **Refer to the warranty included with the Kalia products for details.**

Product dimensions:



**Important :** Dimensions are approximated and are subject to changes. Please refer to the installation instructions.



ONCE UPON A TIME...WATER®

1355, 2<sup>nd</sup> Street, Industrial Park  
Sainte-Marie (Québec)  
Canada G6E 1G9

T 418-387-9090  
1-877-GO-KALIA (1-87- 465-2542)  
F 418 387-9089

KaliaStyle.com





ONCE UPON A TIME...WATER®

**RUSTIK™**

**BF1529**

**STANDARD: Handshower, wallbar and 60" flexible solid brass hose assembly**

**SPECIFICATIONS**

**Features**

**Handshower (13604-110)**

- Dimension: 83 mm (3 1/4")
- Water G1/2 male inlet
- Max. flow 9.5 L/min (2.5 gpm) to 80 psi
- Solid brass construction

**Wallbar (103608-110)**

- Total height of 650 mm (25 5/8")
- Locking system of 1/4 turn
- Solid brass construction

**60" flexible solid brass hose (105007-110)**

- 1/2 female connection

**Color (Finish)**

- Chrome : BF1529-110

**Certifications**

*The specified model meets or exceeds the following standards;*

ASME A112.18.1 / CSA B125.1



**Packaging**

- **Dimensions** : 832 mm x 152 mm x 89 mm (32 3/4" x 6" x 3 1/2")
- **Volume** : 0.40 cu ft (0.011 cu m)
- **Total weight**: 4.07 lb (1.85 kg)



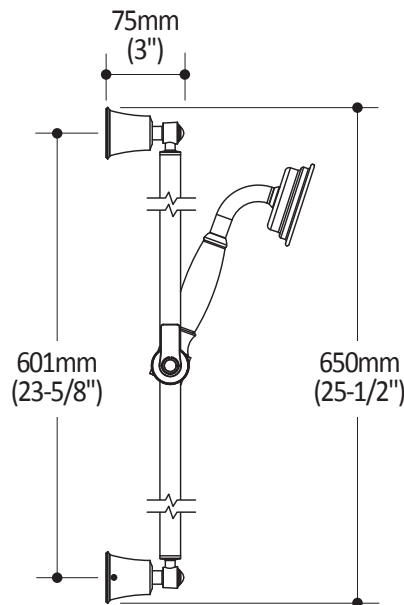
**Installation Notes**

This product must be installed following the installation instructions provided.

**WARRANTY**

Kalia inc. guarantees all aspects of its products to be free of defects in material and workmanship for normal residential use. **Refer to the warranty included with the Kalia products for details.**

*Product dimensions:*



**Important :** Dimensions are approximated and are subject to changes. Please refer to the installation instructions.



ONCE UPON A TIME...WATER®

1355, 2<sup>nd</sup> Street, Industrial Park  
Sainte-Marie (Québec)  
Canada G6E 1G9

T 418-387-9090  
1-877-GO-KALIA (1-87- 465-2542)  
F 418 387-9089

**KaliaStyle.com**





ONCE UPON A TIME...WATER®

**RUSTIK™**

**BF1524**

**AQUATONIK™ type T/P 1/2" valve and decorative trim**

**SPÉCIFICATIONS**

**Features**

- Solid brass construction
- No visible screw
- Integrated service stops with check valve
- Male water inlet 1/2NPT threaded or welded
- Can be installed back-to-back
- Total adjustment of 19 mm (3/4")

**Colors (Finishes)**

- Chrome : BF1524-110

**Certifications**

*The specified model meets or exceeds the following standards;*

- ASME A112.18.1 / CSA B125.1
- ICC A117.1



**Packaging**

- **Dimensions:** 370 mm x 190 mm x 205 mm (14 5/8 x 7 1/2 x 8 1/8)
- **Volume:** 0.014 cu m (0.51 cu ft)
- **Total weight:** 2.45 kg (5.4 lb)

**Maximum flow rate**

- 30 liters/min. (7.9 gallons/min.) at 60 psi



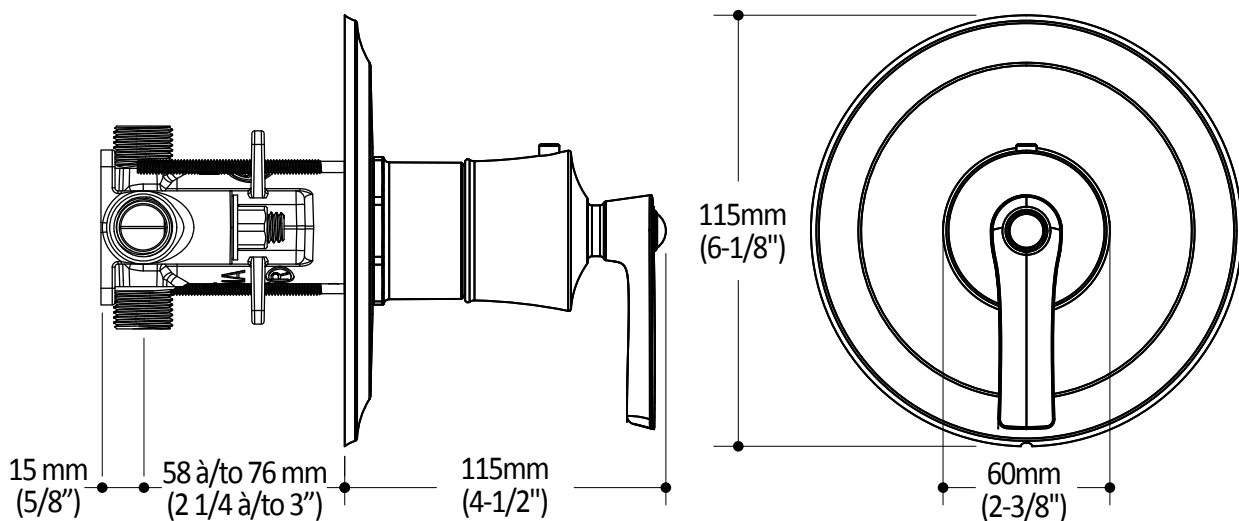
**Installation Notes**

This product must be installed following the installation instructions provided.

**WARRANTY**

Kalia Inc. guarantees all aspects of its products to be free of defects in material and workmanship for normal residential use. **Refer to the warranty included with the Kalia products for details.**

*Product dimensions:*



**Important:** Dimensions are approximated and are subject to changes. Please refer to the installation instructions.



ONCE UPON A TIME...WATER®

1355, 2<sup>e</sup> Rue, Parc industriel  
Sainte-Marie (Québec)  
Canada G6E 1G9

T 418 387-9090  
1 877 GO-KALIA (1 877 465-2542)  
F 418 387-9089

**KaliaStyle.com**





ONCE UPON A TIME...WATER®

RUSTIK™

# BF1623 CalGreen 2-way 1/2" diverter and Decorative Trim

## SPECIFICATIONS

### Features

- Solid brass construction
- No visible screw
- Male water inlet 1/2NPT threaded or welded
- Total adjustment of 19 mm (3/4")
- Support for better stability during installation included
- Operates 1 component at a time

### Colors (Finishes)

- Chrome : BF1623-110

### Certifications

The specified model meets or exceeds the following standards;

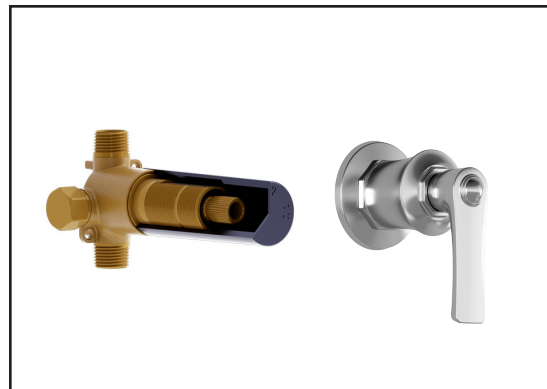


### Packaging

- **Dimensions :**  
315 mm x 125 mm x 115 mm  
(12 3/8" x 4 7/8" x 4 1/2")
- **Volume:** 0.004 cu m (0.16 cu ft)
- **Total weight:** 1.15 kg (2.54 lb)

### Maximum flow rate

- 1 outlet: 16 liters/min.  
(4.3 gallons/min.) at 60 psi



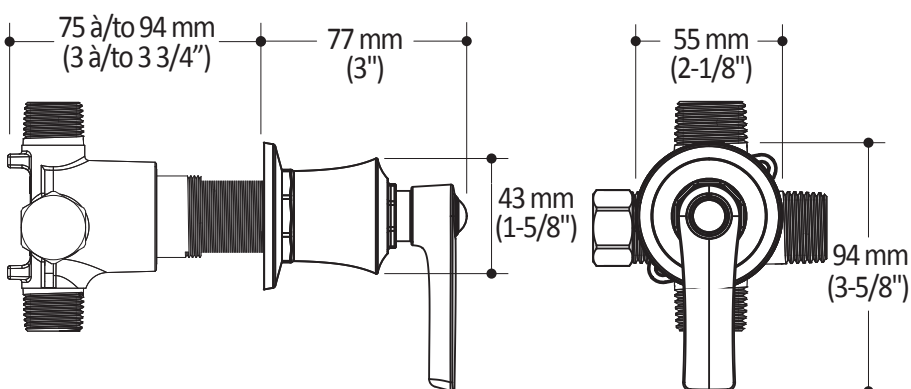
### Installation Notes

This product must be installed following the installation instructions provided.

### WARRANTY

Kalia Inc. guarantees all aspects of its products to be free of defects in material and workmanship for normal residential use. Refer to the warranty included with the Kalia products for details.

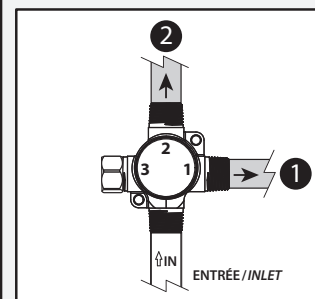
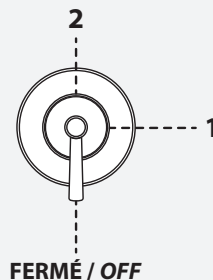
Product dimensions:



**Important:** Dimensions are approximated and are subject to changes. Please refer to the installation instructions.

### Configuration 2 voies (CalGreen)

#### 2-way configuration (CalGreen)



ONCE UPON A TIME...WATER®

1355, 2<sup>nd</sup> Street, Industrial Park  
Sainte-Marie (Québec)  
Canada G6E 1G9

T 418-387-9090  
1-877-GO-KALIA (1-87- 465-2542)  
F 418 387-9089

KaliaStyle.com





ONCE UPON A TIME...WATER®

# 102847 Wall Outlet

## SPECIFICATIONS

### Features

- Male or female water inlet 1/2NPT
- Male water outlet G1/2
- Solid brass construction
- PVD finish (Physical Vapour Deposit): A high technology process that protects the surface finish for increased durability

### Colors (Finishes)

- Chrome: 102847-110
- Brushed Nickel PVD: 102847-120
- Matte Black: 102847-160

### Certifications

The specified model meets or exceeds the following standards;



### Installation Notes

This product must be installed following the installation instructions provided.

### WARRANTY

Kalia Inc. guarantees all aspects of its products to be free of defects in material and workmanship for normal residential use. **Refer to the warranty included with the Kalia products for details.**

Product dimensions:



**Important:** Dimensions are approximated and are subject to changes. Please refer to the installation instructions.



ONCE UPON A TIME...WATER®

1355, 2<sup>nd</sup> Street, Industrial Park  
Sainte-Marie (Québec)  
Canada G6E 1G9

T 418-387-9090  
1-877-GO-KALIA (1-87- 465-2542)  
F 418 387-9089

KaliaStyle.com

