



ONCE UPON A TIME...WATER®

RUSTIK™

BF1529

STANDARD: Handshower, wallbar and 60" flexible solid brass hose assembly

SPECIFICATIONS

Features

Handshower (13604-110)

- Dimension: 83 mm (3 1/4")
- Water G1/2 male inlet
- Max. flow 9.5 L/min (2.5 gpm) to 80 psi
- Solid brass construction

Wallbar (103608-110)

- Total height of 650 mm (25 5/8")
- Locking system of 1/4 turn
- Solid brass construction

60" flexible solid brass hose (105007-110)

- 1/2 female connection

Color (Finish)

- Chrome : BF1529-110

Certifications

The specified model meets or exceeds the following standards;

ASME A112.18.1 / CSA B125.1



Packaging

- **Dimensions** : 832 mm x 152 mm x 89 mm (32 3/4" x 6" x 3 1/2")
- **Volume** : 0.40 cu ft (0.011 cu m)
- **Total weight**: 4.07 lb (1.85 kg)



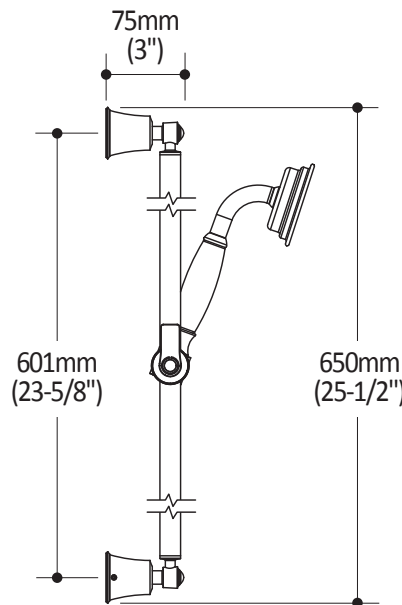
Installation Notes

This product must be installed following the installation instructions provided.

WARRANTY

Kalia inc. guarantees all aspects of its products to be free of defects in material and workmanship for normal residential use. **Refer to the warranty included with the Kalia products for details.**

Product dimensions:



Important : Dimensions are approximated and are subject to changes. Please refer to the installation instructions.



ONCE UPON A TIME...WATER®

1355, 2nd Street, Industrial Park
Sainte-Marie (Québec)
Canada G6E 1G9

T 418-387-9090
1-877-GO-KALIA (1-87- 465-2542)
F 418 387-9089

KaliaStyle.com

