



**RUSTIK™**

**BF1525**

**3/4" Thermostatic Valve and Decorative Trim**

**SPECIFICATIONS**

**Features**

- No visible screws
- 3/4" NPT female inlet - threaded
- Shut-off valves included
- Possibility of 3 components
- Total adjustment of 19 mm (3/4")
- Support for better stability during installation included
- Solid brass construction

**Colors (Finishes)**

- Chrome : BF1525-110

**Certifications**

*The specified model meets or exceeds the following standards;*

ASME A112.18.1 / CSA B125.1

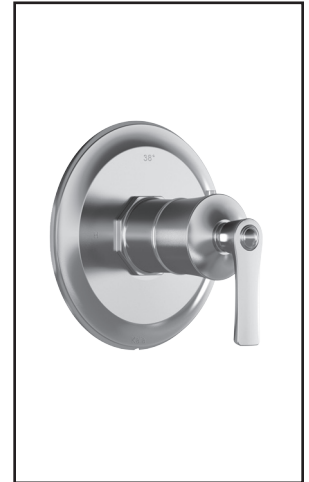


**Packaging**

- **Dimensions:** 362mm x 184mm x 191mm (14 1/4" x 7 1/4" x 7 1/2")
- **Volume:** 0.45 cu ft (0.013 cu m)
- **Total weight:** 5.82 lb (2.64 kg)

**Maximum flow rate**

- 55 liters/min. (14.5 gallons/min.) at 60 psi



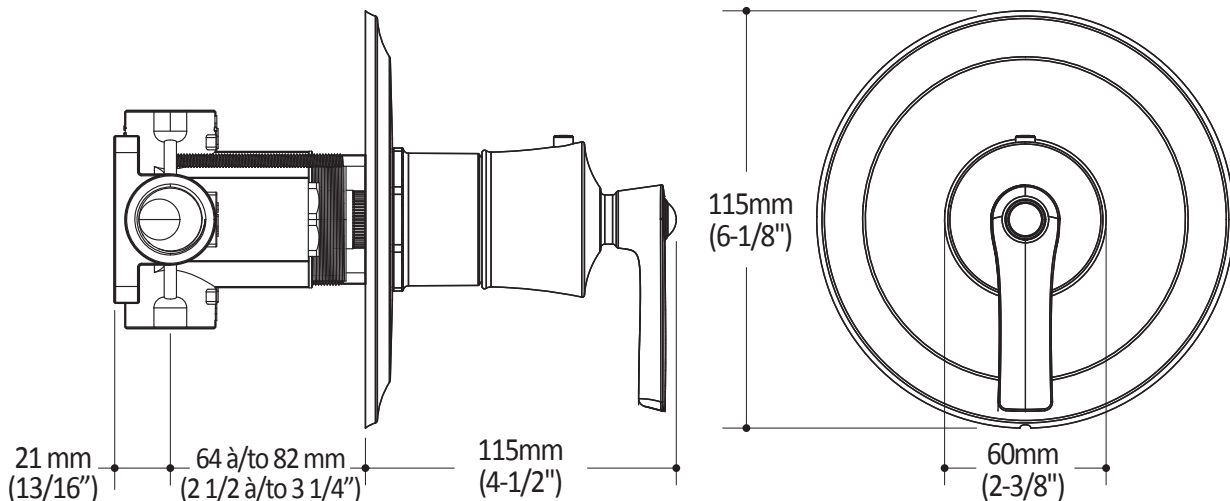
**Installation Notes**

This product must be installed following the installation instructions provided.

**WARRANTY**

Kalia Inc. guarantees all aspects of its products to be free of defects in material and workmanship for normal residential use. **Refer to the warranty included with the Kalia products for details.**

*Product dimensions:*



**Important:** Dimensions are approximated and are subject to changes. Please refer to the installation instructions.



ONCE UPON A TIME...WATER®

1355, 2<sup>nd</sup> Street  
Sainte-Marie (Quebec)  
Canada G6E 1G9

T 418-387-9090  
1-877-GO-KALIA (1-877-465-2542)  
F 418-387-9089

**KaliaStyle.com**

