



# Kalia

ONCE UPON A TIME...WATER®

## RUSTIK™

### BF1514-110

### T375 Thermostatic Shower System

### SPECIFICATIONS



#### Components included

- BF1507-110: Rainhead with 90° wall arm
- 103604-110: Handshower
- 103608: Solid brass wallbar
- 105007: 60" flexible metal hose
- BF1525: 3/4" Thermostatic valve and decorative trim
- BF1527: 3/4" Volume control valve and decorative trim (3x)
- 102847: Wall outlet
- 104777-110: Adjustable body jets (4x)

#### Colors (Finishes)

- Chrome: BF1514-110

#### Certifications

The specified model meets or exceeds the following standards;



See the following sheets for the technical features of each component.

#### Installation Notes

This product must be installed following the installation instructions provided.

#### WARRANTY

Kalia Inc. guarantees all aspects of its products to be free of defects in material and workmanship for normal residential use. Refer to the warranty included with the Kalia products for details.



# Kalia

ONCE UPON A TIME...WATER®

1355, 2<sup>nd</sup> Street, Industrial Park  
Sainte-Marie (Québec)  
Canada G6E 1G9

T 418-387-9090  
1-877-GO-KALIA (1-877- 465-2542)  
F 418 387-9089

KaliaStyle.com





ONCE UPON A TIME...WATER®

**RUSTIK<sup>MC</sup>**

# BF1507 STANDARD: Rainhead with 90° Wall arm

## SPECIFICATIONS

### Features

- Male water inlet 1/2NPT
- Diameter: 225 mm (8 7/8")
- Anti-scale system with soft sprays
- Adjustable orientation swivel
- Solid brass construction rainhead

### Colors (Finishes)

- Chrome : BF1507-110

### Certifications

The specified model meets or exceeds the following standards;



### Packaging

- **Dimensions:**  
465 mm x 330 mm x 160 mm  
(18 1/4" x 13" x 6 1/4")
- **Volume:** 0.02 cu m (0.87 cu ft)
- **Total weight:** 2.45 kg (5.4 lb)

### Maximum flow rate

- 9.5 liters/min. (2.5 gallons/min.)  
at 80 psi



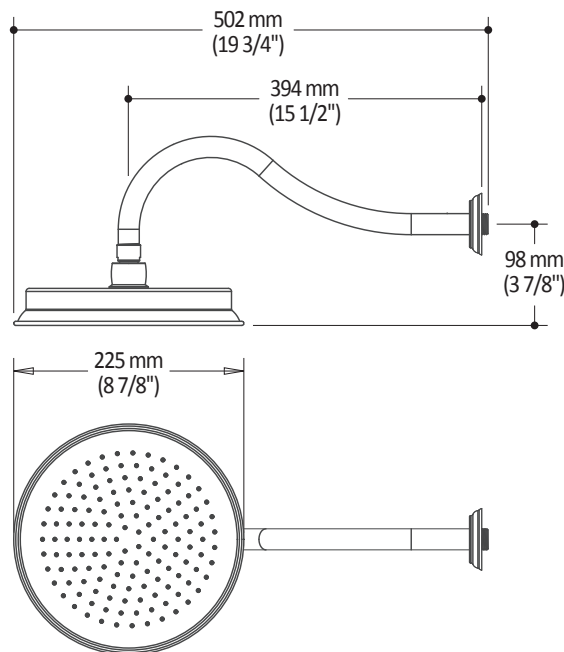
### Installation Notes

This product must be installed following the installation instructions provided.

### WARRANTY

Kalia Inc. guarantees all aspects of its products to be free of defects in material and workmanship for normal residential use. **Refer to the warranty included with the Kalia products for details.**

Product dimensions:



**Important :** Dimensions are approximated and are subject to changes. Please refer to the installation instructions.



ONCE UPON A TIME...WATER®

1355, 2<sup>nd</sup> Street, Industrial Park  
Sainte-Marie (Québec)  
Canada G6E 1G9

T 418-387-9090  
1-877-GO-KALIA (1-87- 465-2542)  
F 418 387-9089

KaliaStyle.com





ONCE UPON A TIME...WATER®

**RUSTIK™**

**BF1529**

**STANDARD: Handshower, wallbar and 60" flexible solid brass hose assembly**

**SPECIFICATIONS**

**Features**

**Handshower (13604-110)**

- Dimension: 83 mm (3 1/4")
- Water G1/2 male inlet
- Max. flow 9.5 L/min (2.5 gpm) to 80 psi
- Solid brass construction

**Wallbar (103608-110)**

- Total height of 650 mm (25 5/8")
- Locking system of 1/4 turn
- Solid brass construction

**60" flexible solid brass hose (105007-110)**

- 1/2 female connection

**Color (Finish)**

- Chrome : BF1529-110

**Certifications**

*The specified model meets or exceeds the following standards;*

ASME A112.18.1 / CSA B125.1



**Packaging**

- **Dimensions** : 832 mm x 152 mm x 89 mm (32 3/4" x 6" x 3 1/2")
- **Volume** : 0.40 cu ft (0.011 cu m)
- **Total weight**: 4.07 lb (1.85 kg)



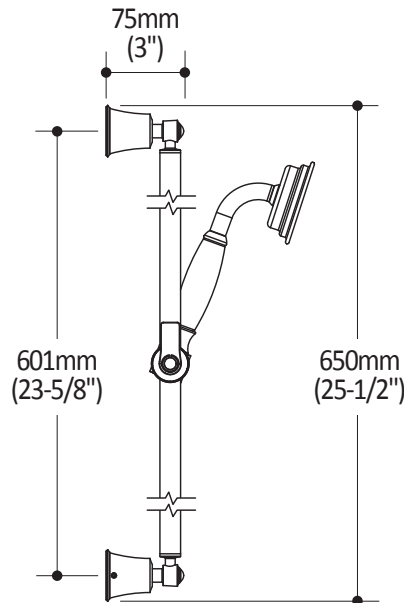
**Installation Notes**

This product must be installed following the installation instructions provided.

**WARRANTY**

Kalia inc. guarantees all aspects of its products to be free of defects in material and workmanship for normal residential use. **Refer to the warranty included with the Kalia products for details.**

*Product dimensions:*



**Important :** Dimensions are approximated and are subject to changes. Please refer to the installation instructions.



ONCE UPON A TIME...WATER®

1355, 2<sup>nd</sup> Street, Industrial Park  
Sainte-Marie (Québec)  
Canada G6E 1G9

T 418-387-9090  
1-877-GO-KALIA (1-87- 465-2542)  
F 418 387-9089

**KaliaStyle.com**





**RUSTIK™**

**BF1525**

**3/4" Thermostatic Valve and Decorative Trim**

**SPECIFICATIONS**

**Features**

- No visible screws
- 3/4" NPT female inlet - threaded
- Shut-off valves included
- Possibility of 3 components
- Total adjustment of 19 mm (3/4")
- Support for better stability during installation included
- Solid brass construction

**Colors (Finishes)**

- Chrome : BF1525-110

**Certifications**

*The specified model meets or exceeds the following standards;*

ASME A112.18.1 / CSA B125.1

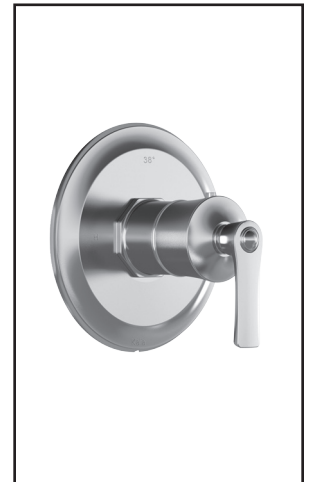


**Packaging**

- **Dimensions:** 362mm x 184mm x 191mm (14 1/4" x 7 1/4" x 7 1/2")
- **Volume:** 0.45 cu ft (0.013 cu m)
- **Total weight:** 5.82 lb (2.64 kg)

**Maximum flow rate**

- 55 liters/min. (14.5 gallons/min.) at 60 psi



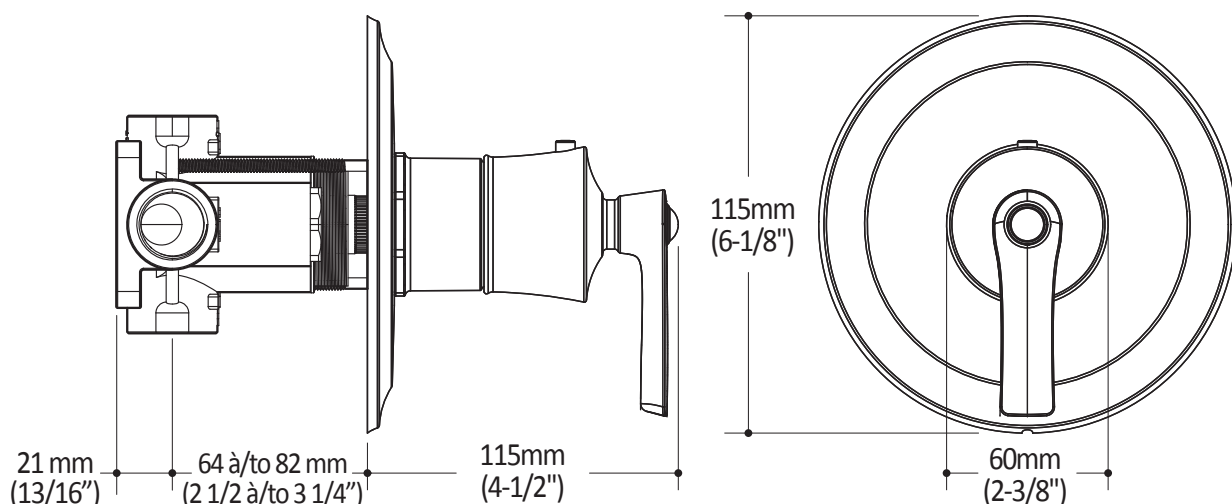
**Installation Notes**

This product must be installed following the installation instructions provided.

**WARRANTY**

Kalia Inc. guarantees all aspects of its products to be free of defects in material and workmanship for normal residential use. **Refer to the warranty included with the Kalia products for details.**

*Product dimensions:*



**Important:** Dimensions are approximated and are subject to changes. Please refer to the installation instructions.



ONCE UPON A TIME...WATER®

1355, 2<sup>nd</sup> Street  
Sainte-Marie (Quebec)  
Canada G6E 1G9

T 418-387-9090  
1-877-GO-KALIA (1-877-465-2542)  
F 418-387-9089

**KaliaStyle.com**





**RUSTIK™**

**BF1527**

**3/4" Volume Control Valve and Decorative Trim**

**SPECIFICATIONS**

**Features**

- No visible screw
- Water 3/4" female inlet NPT threaded
- Solid brass construction

**Colors (Finishes)**

- Chrome : BF1527-110

**Certifications**

*The specified model meets or exceeds the following standards;*

ASME A112.18.1 / CSA B125.1



**Packaging**

- **Dimensions:** 305mm x 117mm x 92mm (12" x 4 5/8" x 3 5/8")
- **Volume:** 0.12 cu ft (0.003 cu m)
- **Total weight:** 1.99 lb (0.9 kg)



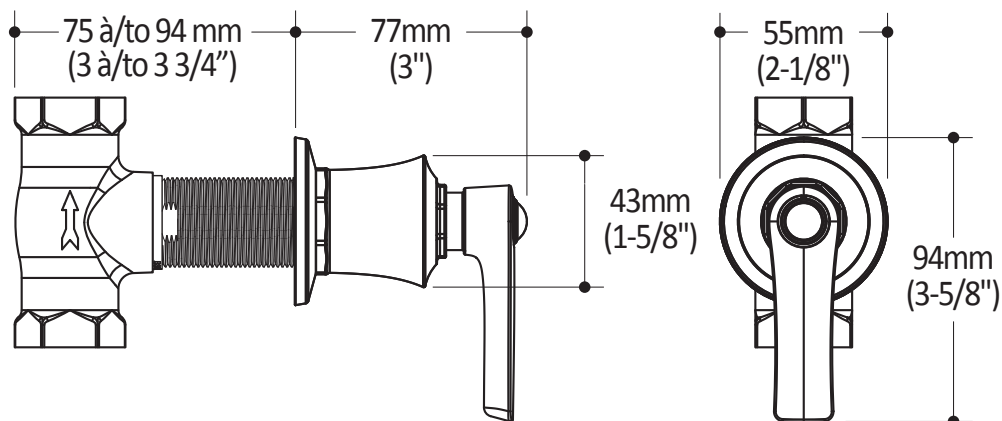
**Installation Notes**

This product must be installed following the installation instructions provided.

**WARRANTY**

Kalia Inc. guarantees all aspects of its products to be free of defects in material and workmanship for normal residential use. **Refer to the warranty included with the Kalia products for details.**

*Product dimensions:*



**Important:** Dimensions are approximated and are subject to changes. Please refer to the installation instructions.



ONCE UPON A TIME...WATER®

1355, 2<sup>nd</sup> Street  
Sainte-Marie (Quebec)  
Canada G6E 1G9

T 418-387-9090  
1-877-GO-KALIA (1-877-465-2542)  
F 418-387-9089

**KaliaStyle.com**





ONCE UPON A TIME...WATER®

104777  
Body jet

**SPECIFICATIONS**

**Features**

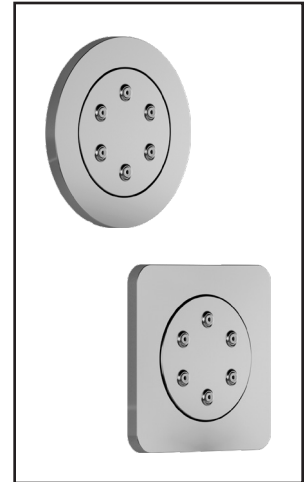
- Male water inlet 1/2 NPT
- Solid brass water raceway
- 20° adjustable spray head
- Slim profile
- 23 mm (7/8") installation adjustment
- Round or square escutcheon trim finish
- Recessed box included

**Packaging**

- **Dimensions:** 370 mm x 190 mm x 205 mm (14 5/8" x 7 1/2" x 8 1/8")
- **Volume:** 0.014 m<sup>3</sup> (0.51 pi<sup>3</sup>)
- **Total weight:** 0.66 kg (1.45 lb)

**Maximum flow rate**

- 3.8 litres/min. (1 gallons/min.) à 60 psi



**Colors (Finishes)**

- Chrome : 104777-110

**Certifications**

The specified model meets or exceeds the following standards;

- ASME A112.18.1 / CSA B125.1



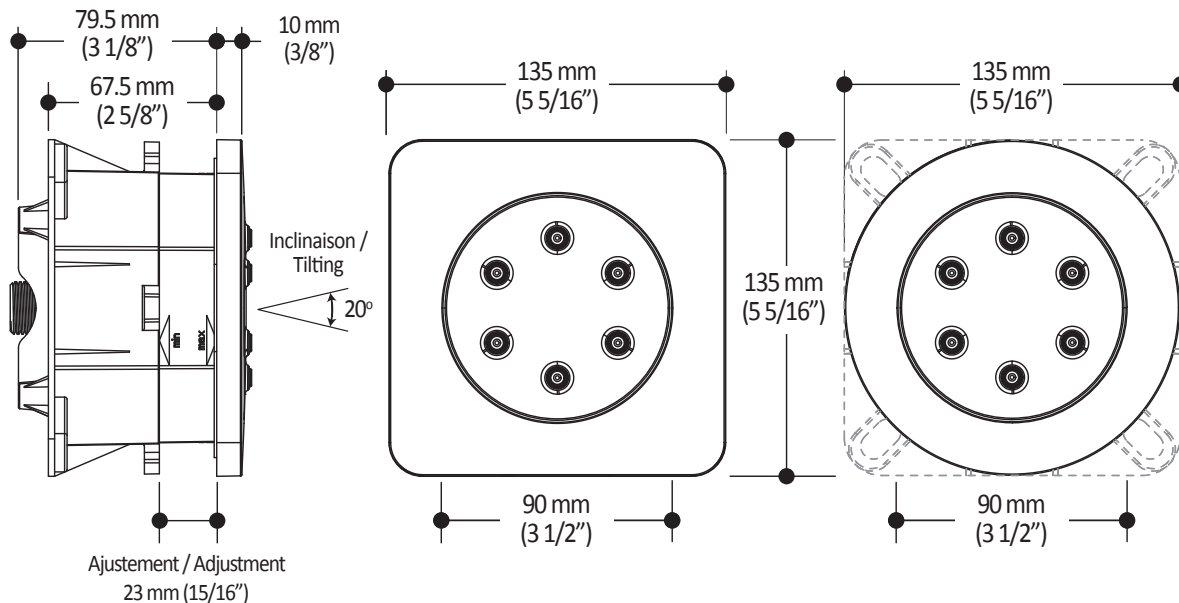
**Installation Notes**

This product must be installed following the installation instructions provided.

**WARRANTY**

Kalia Inc. guarantees all aspects of its products to be free of defects in material and workmanship for normal residential use. **Refer to the warranty included with the Kalia products for details.**

Product dimensions:



**Important:** Dimensions are approximated and are subject to changes. Please refer to the installation instructions.



ONCE UPON A TIME...WATER®

1355, 2<sup>e</sup> Rue, Parc industriel  
Sainte-Marie (Québec)  
Canada G6E 1G9

T 418-387-9090  
1-877-GO-KALIA (1-877-465-2542)  
F 418-87-9089

KaliaStyle.com





ONCE UPON A TIME...WATER®

# 102847 Wall Outlet

## SPECIFICATIONS

### Features

- Male or female water inlet 1/2NPT
- Male water outlet G1/2
- Solid brass construction
- PVD finish (Physical Vapour Deposit): A high technology process that protects the surface finish for increased durability

### Colors (Finishes)

- Chrome: 102847-110
- Brushed Nickel PVD: 102847-120
- Matte Black: 102847-160

### Certifications

The specified model meets or exceeds the following standards;



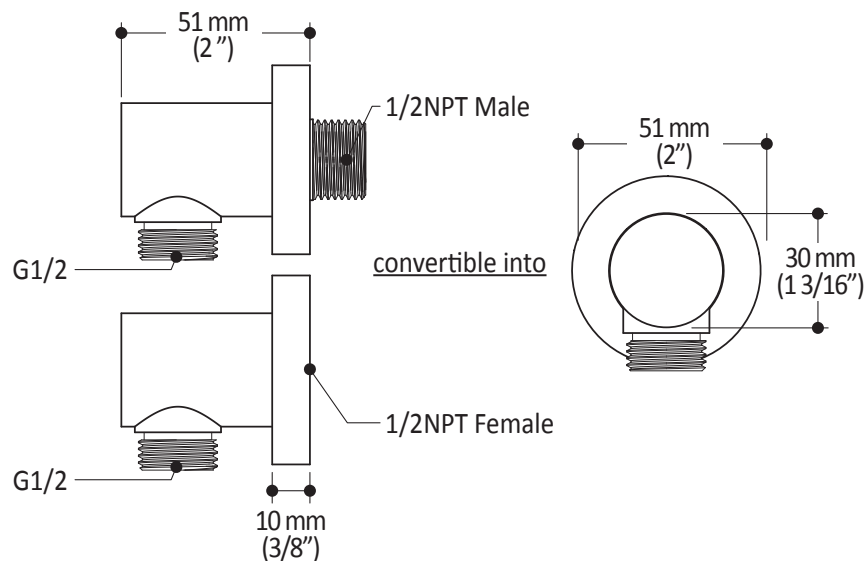
### Installation Notes

This product must be installed following the installation instructions provided.

### WARRANTY

Kalia Inc. guarantees all aspects of its products to be free of defects in material and workmanship for normal residential use. **Refer to the warranty included with the Kalia products for details.**

Product dimensions:



**Important:** Dimensions are approximated and are subject to changes. Please refer to the installation instructions.



ONCE UPON A TIME...WATER®

1355, 2<sup>nd</sup> Street, Industrial Park  
Sainte-Marie (Québec)  
Canada G6E 1G9

T 418-387-9090  
1-877-GO-KALIA (1-87- 465-2542)  
F 418 387-9089

KaliaStyle.com

