



ONCE UPON A TIME...WATER®

**KONTOUR™**

**BF1449-XXX**

**STANDARD : TG2 Thermostatic Shower System**

**SPECIFICATIONS**

**Components included**

- BF1387-XXX\*: Rainhead with 90° wall arm
- 104336-XXX\*: 2-jet handshower (2 direct positions and 1 shared position)
- 103577-110: Wallbar
- 101620-XXX\*: 60” flexible and soft PVC hose
- BF1300-110: AQUATONIK™ type T/P 1/2” valve and decorative trim
- BF1621-110: CalGreen 1/2” Volume control valve with 2-way diverter and decorative trim (2 direct positions, 1 shared position and closed position)
- 102847-110: Wall outlet

*\* XXX means that the finish color must be specified.*

**Colors (Finishes)**

- Chrome: BF1449-110
- Chrome and black: BF1449-150

**Certifications**

*The specified model meets or exceeds the following standards;*

- ASME A112.18.1 / CSA B125.1
- ICC A117.1



*See the following sheets for the technical features of each component.*

**Installation Notes**

This product must be installed following the installation instructions provided.

**WARRANTY**

Kalia Inc. guarantees all aspects of its products to be free of defects in material and workmanship for normal residential use. **Refer to the warranty included with the Kalia products for details.**



ONCE UPON A TIME...WATER®

1355, 2<sup>nd</sup> Street  
Sainte-Marie (Quebec)  
Canada G6E 1G9

T 418-387-9090  
1-877-GO-KALIA (1-877-465-2542)  
F 418-387-9089

**KaliaStyle.com**





ONCE UPON A TIME...WATER®

**KONTOUR™**

**BF1387**

**STANDARD: Rainhead and 90° Wallarm**

**SPECIFICATIONS**

**Features**

- Male water inlet 1/2NPT on wall arm
- Female water inlet G1/2 on rainhead
- Rainhead diameter of 200 mm (7 7/8")
- Anti-scale system with soft sprays
- Adjustable orientation swivel

**Colors (Finishes)**

- Chrome : BF1387-110
- Black and Chrome : BF1387-150

**Packaging**

- **Dimensions:** 435 mm x 320 mm x 144 mm (17 1/8" x 12 1/2" x 5 1/2")
- **Volume:** 0.68 cu ft (0.02000 cu m)
- **Total weight:** 2.45 lb (1.12 kg)

**Maximum flow rate**

- 15 liters/min. (4 gallons/min.) at 80 psi

**Certifications**

The specified model meets or exceeds the following standards;

- ASME A112.18.1 / CSA B125.1



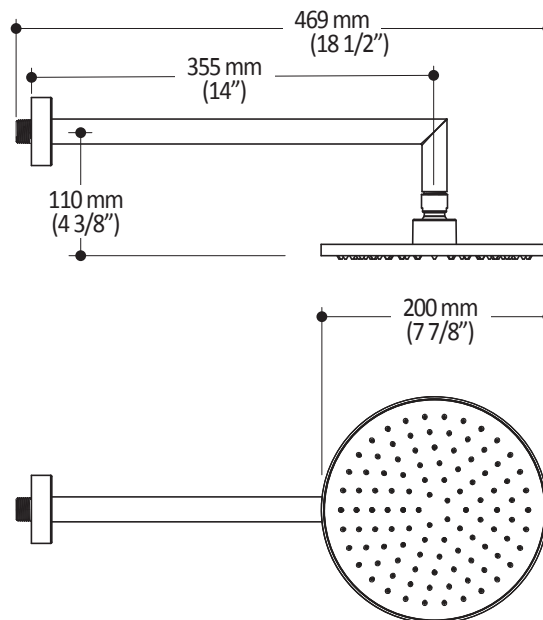
**Installation Notes**

This product must be installed following the installation instructions provided.

**WARRANTY**

Kalia Inc. guarantees all aspects of its products to be free of defects in material and workmanship for normal residential use. Refer to the warranty included with the Kalia products for details.

Product dimensions:



**Important:** Dimensions are approximated and are subject to changes. Please refer to the installation instructions.



ONCE UPON A TIME...WATER®

1355, 2<sup>e</sup> Rue, Parc industriel  
Sainte-Marie (Québec)  
Canada G6E 1G9

T 418-387-9090  
1-877-GO-KALIA (1-877-465-2542)  
F 418-87-9089

**KaliaStyle.com**





# Kalia

ONCE UPON A TIME...WATER®

## KONTOUR™

### 104336

### STANDARD: 2-Jet Handshower

### SPECIFICATIONS

#### Features

- Dimension: 120 mm (4 3/4")
- Anti-scale system with soft sprays
- Male water inlet G1/2
- 2 direct positions and 1 shared position

#### Colors (Finishes)

- Chrome : 104336-110
- Black and Chrome : 104336-150

#### Packaging

- **Dimensions:** 290 mm x 130 mm x 40 mm (11 3/8" x 5" x 1 1/2")
- **Volume:** 0.05 cu ft (0.002 cu m)
- **Total weight:** 0.50 lb (0.24 kg)

#### Maximum flow rate

- 11.4 liters/min. (3 gallons/min.) at 80 psi

#### Certifications

The specified model meets or exceeds the following standards;

- ASME A112.18.1 / CSA B125.1



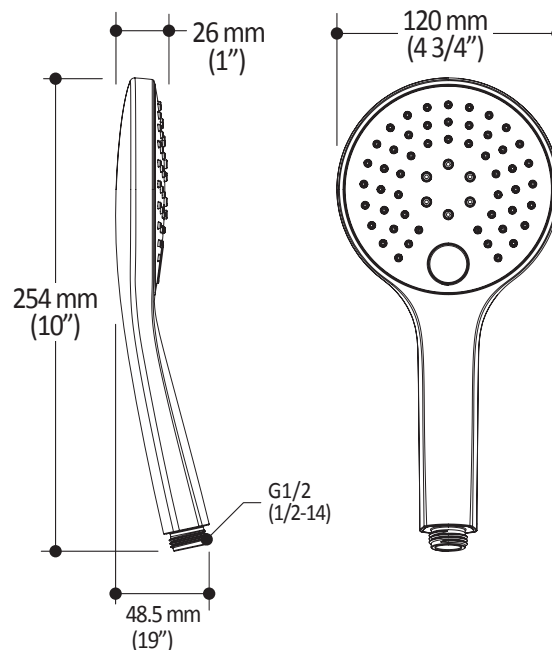
#### Installation Notes

This product must be installed following the installation instructions provided.

#### WARRANTY

Kalia Inc. guarantees all aspects of its products to be free of defects in material and workmanship for normal residential use. **Refer to the warranty included with the Kalia products for details.**

Product dimensions:



**Important:** Dimensions are approximated and are subject to changes. Please refer to the installation instructions.



# Kalia

ONCE UPON A TIME...WATER®

1355, 2<sup>e</sup> Rue, Parc industriel  
Sainte-Marie (Québec)  
Canada G6E 1G9

T 418-387-9090  
1-877-GO-KALIA (1-877-465-2542)  
F 418-87-9089

[KaliaStyle.com](http://KaliaStyle.com)





ONCE UPON A TIME...WATER®

103577

Wallbar for handshower

**SPECIFICATIONS**

**Features**

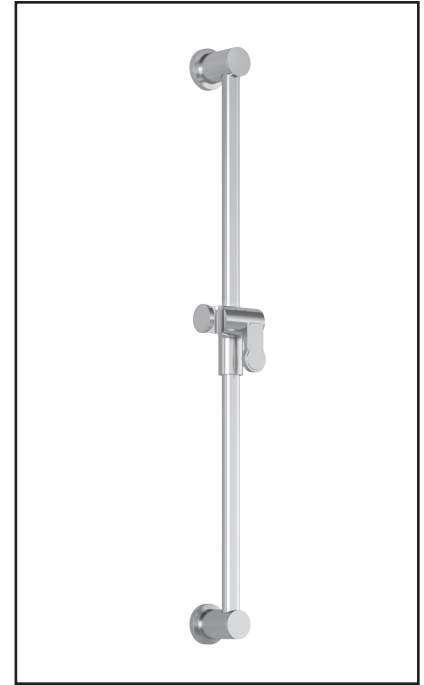
- Total height of 742 mm (30")
- Easy-to-use gliding system
- Locking system

**Colors (Finishes)**

- Chrome : 103577-110

**Packaging**

- **Dimensions:** 798 mm x 205 mm x 89 mm (31 1/2" x 8" x 3 1/2")
- **Volume:** 0.27 cu ft (0.010 cu m)
- **Total weight:** 1.9 lb (0.86 kg)



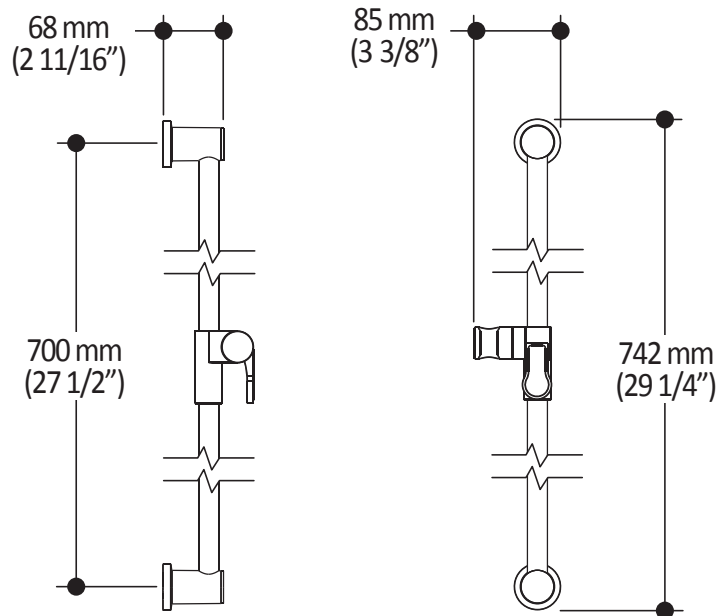
**Installation Notes**

This product must be installed following the installation instructions provided.

**WARRANTY**

Kalia Inc. guarantees all aspects of its products to be free of defects in material and workmanship for normal residential use. **Refer to the warranty included with the Kalia products for details.**

*Product dimensions:*



**Important :** Dimensions are approximated and are subject to changes. Please refer to the installation instructions.



ONCE UPON A TIME...WATER®

1355, 2<sup>nd</sup> Street  
Sainte-Marie (Quebec)  
Canada G6E 1G9

T 418-387-9090  
1-877-GO-KALIA (1-877-465-2542)  
F 418-387-9089

**KaliaStyle.com**





ONCE UPON A TIME...WATER®

**KONTOUR™**

**BF1300**

**AQUATONIK™ type T/P 1/2" valve and decorative trim**

**SPECIFICATIONS**

**Features**

- Solid brass construction
- No visible screw
- Integrated service stops with check valve
- Male water inlet 1/2NPT threaded or welded
- Can be installed back-to-back
- Total adjustment of 19 mm (3/4")

**Certifications**

The specified model meets or exceeds the following standards;

- ASME A112.18.1 / CSA B125.1
- ICC A117.1



**Colors (Finishes)**

- Chrome : BF1300-110

**Packaging**

- **Dimensions:** 370 mm x 190 mm x 205 mm (14 5/8 x 7 1/2 x 8 1/8)
- **Volume:** 0.014 cu m (0.51 cu ft)
- **Total weight:** 2.35 kg (5.18 lb)

**Maximum flow rate**

- 30 liters/min. (7.9 gallons/min.) at 60 psi

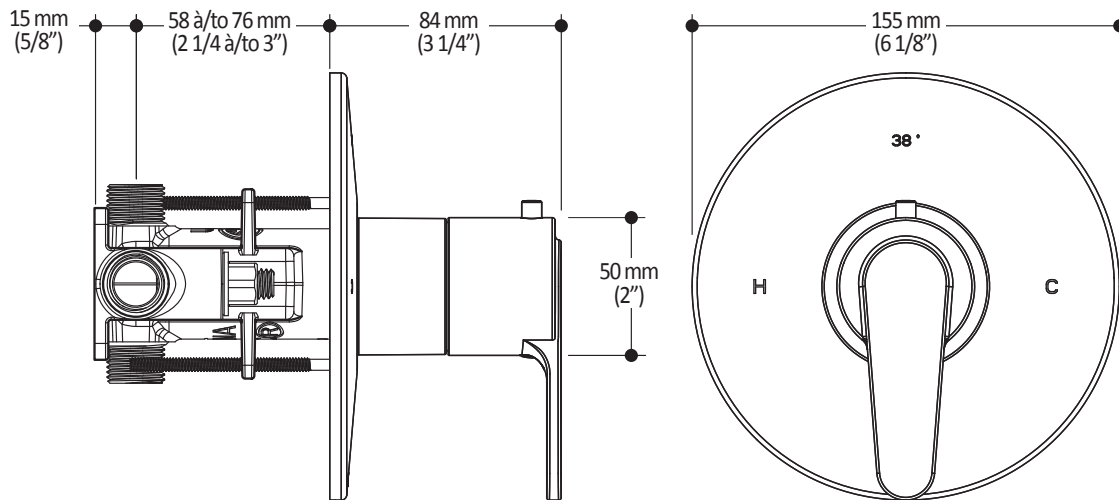
**Installation Notes**

This product must be installed following the installation instructions provided.

**WARRANTY**

Kalia Inc. guarantees all aspects of its products to be free of defects in material and workmanship for normal residential use. **Refer to the warranty included with the Kalia products for details.**

Product dimensions:



**Important:** Dimensions are approximated and are subject to changes. Please refer to the installation instructions.



ONCE UPON A TIME...WATER®

1355, 2<sup>e</sup> Rue, Parc industriel  
Sainte-Marie (Québec)  
Canada G6E 1G9

T 418-387-9090  
1-877-GO-KALIA (1-877-465-2542)  
F 418-87-9089

**KaliaStyle.com**





ONCE UPON A TIME...WATER®

**KONTOUR™**

**BF1621**

**Cal Green 1/2" Volume Control Valve 2 Way Diverter and Decorative Trim**

**SPECIFICATIONS**

**Features**

- No visible screw
- Male water inlet 1/2NPT threaded or welded
- Solid brass construction
- Total adjustment of 19 mm (3/4")
- Support for better stability during installation included

**Color (Finish)**

- Chrome : BF1621-110

**Packaging**

- **Dimensions:** 305 mm x 117 mm x 92 mm (12" x 4 5/8" x 3 5/8")
- **Volume:** 0.12 cu ft (0.003 cu m)
- **Total weight:** 1.99 lb (0.99 kg)

**Maximum flow rate**

- 1 outlet: 16 liters/min. (4.3 gallons/min.) at 60 psi

**Certifications**

The specified model meets or exceeds the following standards;

- ASME A112.18.1 / CSA B125.1
- CalGreen
- ICCA117.1



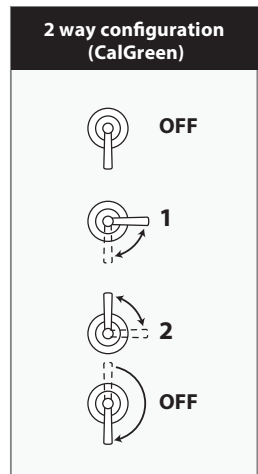
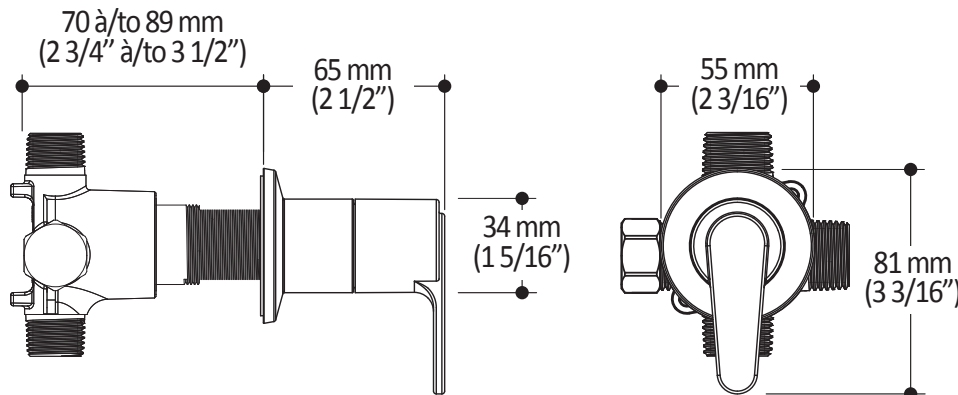
**Installation Notes**

This product must be installed following the installation instructions provided.

**WARRANTY**

Kalia Inc. guarantees all aspects of its products to be free of defects in material and workmanship for normal residential use. Refer to the warranty included with the Kalia products for details.

Product dimensions:



**Important:** Dimensions are approximated and are subject to changes. Please refer to the installation instructions.



ONCE UPON A TIME...WATER®

1355, 2<sup>e</sup> Rue, Parc industriel  
Sainte-Marie (Québec)  
Canada G6E 1G9

T 418-387-9090  
1-877-GO-KALIA (1-877-465-2542)  
F 418-87-9089

**KaliaStyle.com**





# 102847 Wall Outlet

## SPECIFICATIONS

### Features

- Water 1/2" NPT (male or female) inlet
- Water G1/2 male outlet
- Solid brass construction
- PVD finish (Physical Vapour Deposit): A high technology process that protects the surface finish for increased durability

### Colors (Finishes)

- Chrome : 102847-110
- Brushed Nickel PVD : 102847-120

### Certifications

The specified model meets or exceeds the following standards;

- ASME A112.18.1 / CSA B125.1



### Packaging

- **Dimensions:** 305mm x 117mm x 92mm (12" x 4 5/8" x 3 5/8")
- **Volume:** 0.12 cu ft (0.003 cu m)
- **Total weight:** 0.40 lb (0.18 kg)



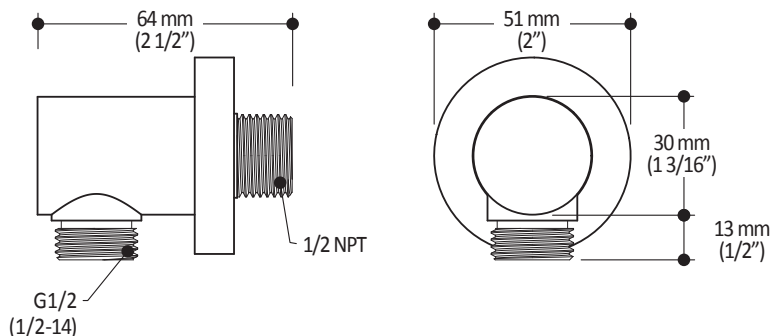
### Installation Notes

This product must be installed following the installation instructions provided.

### WARRANTY

Kalia Inc. guarantees all aspects of its products to be free of defects in material and workmanship for normal residential use. **Refer to the warranty included with the Kalia products for details.**

Product dimensions:



**Important:** Dimensions are approximated and are subject to changes. Please refer to the installation instructions.

**Kalia inc.**  
1355, 2nd Street  
Sainte-Marie (Quebec)  
Canada G6E 1G9

t. 1-418-387-9090  
1 877 GO KALIA (1-877-465-2542)  
f. 1-418-387-9089  
www.KaliaStyle.com