



Kalia

ONCE UPON A TIME...WATER®

KONTOUR™

BF1449-110-100

PLUS: TG2 Thermostatic Shower System

SPECIFICATIONS



Components included

- BF1378-110: Rainhead with 90° wall arm
- 102850-110: 2-jet handshower (2 direct positions and 1 shared position)
- 103577-110: Wallbar
- 101620-110: 60" flexible and soft PVC hose
- BF1300-110: AQUATONIK™ type T/P 1/2" valve and decorative trim
- BF1621-110: CalGreen 1/2" Volume control valve with 2-way diverter and decorative trim (2 direct positions, 1 shared position and closed position)
- 102847-110: Wall outlet

Colors (Finishes)

- Chrome: BF1449-110-100

Certifications

The specified model meets or exceeds the following standards;

- ASME A112.18.1 / CSA B125.1
- ICC A117.1



See the following sheets for the technical features of each component.

Installation Notes

This product must be installed following the installation instructions provided.

WARRANTY

Kalia Inc. guarantees all aspects of its products to be free of defects in material and workmanship for normal residential use. **Refer to the warranty included with the Kalia products for details.**



Kalia

ONCE UPON A TIME...WATER®

1355, 2nd Street
Sainte-Marie (Quebec)
Canada G6E 1G9

T 418-387-9090
1-877-GO-KALIA (1-877-465-2542)
F 418-387-9089

KaliaStyle.com





ONCE UPON A TIME...WATER®

BF1378

PLUS: Rainhead and 90° Wallarm

SPECIFICATIONS

Features

- Water 1/2" male inlet NPT
- Diameter of 254mm (10")
- Anti-scale system with soft sprays
- Adjustable orientation swivel
- PVD finish (Physical Vapour Deposit): A high technology process that protects the surface finish for increased durability

Packaging

- **Dimensions:** 406mm x 324mm x 133mm (16" x 12 3/4" x 5 1/4")
- **Volume:** 0.62 cu ft (0.018 cu m)
- **Total weight:** 2.56 lb (1.16 kg)



Maximum flow rate

- 9.5 liters/min. (2.5 gallons/min.) at 80 psi

Colors (Finishes)

- Chrome : BF1378-110
- Brushed Nickel PVD : BF1378-120

Certifications

The specified model meets or exceeds the following standards;

- ASME A112.18.1 / CSA B125.1



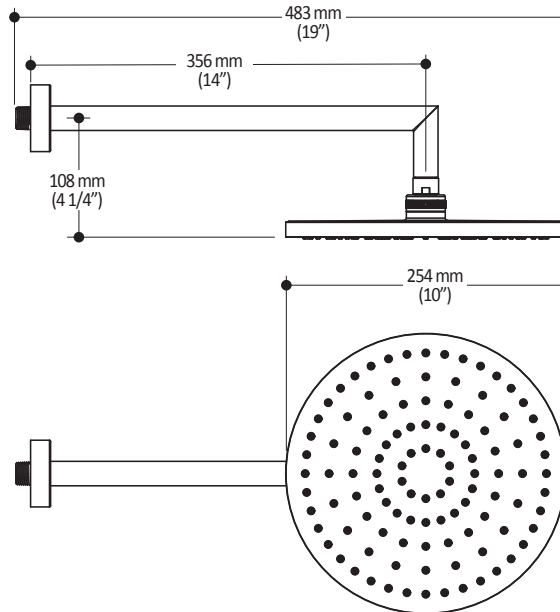
Installation Notes

This product must be installed following the installation instructions provided.

WARRANTY

Kalia Inc. guarantees all aspects of its products to be free of defects in material and workmanship for normal residential use. **Refer to the warranty included with the Kalia products for details.**

Product dimensions:



Important: Dimensions are approximated and are subject to changes. Please refer to the installation instructions.



ONCE UPON A TIME...WATER®

1355, 2nd Street
Sainte-Marie (Quebec)
Canada G6E 1G9

T 418-387-9090
1-877-GO-KALIA (1-877-465-2542)
F 418-387-9089

KaliaStyle.com





Kalia

ONCE UPON A TIME...WATER®

102850

PLUS: 2-Jet Handshower

SPECIFICATIONS

Features

- Diameter of 121mm (4 3/4")
- Anti-scale system with soft sprays
- Water G1/2 male inlet
- 2 direct positions and 1 shared position
- PVD finish (Physical Vapour Deposit): A high technology process that protects the surface finish for increased durability

Colors (Finishes)

- Chrome : 102850-110
- Brushed Nickel PVD : 102850-120

Certifications

The specified model meets or exceeds the following standards;

- ASME A112.18.1 / CSA B125.1



Packaging

- **Dimensions:** 349mm x 171mm x 178mm (13 3/4" x 6 3/4" x 7")
- **Volume:** 0.375 cu ft (0.01 cu m)
- **Total weight:** 0.69 lb (0.315 kg)

Maximum flow rate

- 9.5 liters/min. (2.5 gallons/min.) at 80 psi



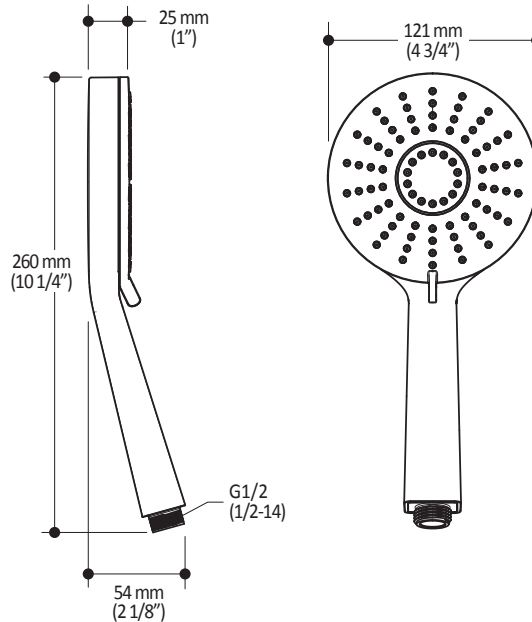
Installation Notes

This product must be installed following the installation instructions provided.

WARRANTY

Kalia Inc. guarantees all aspects of its products to be free of defects in material and workmanship for normal residential use. **Refer to the warranty included with the Kalia products for details.**

Product dimensions:



Important: Dimensions are approximated and are subject to changes. Please refer to the installation instructions.



Kalia

ONCE UPON A TIME...WATER®

1355, 2nd Street
Sainte-Marie (Quebec)
Canada G6E 1G9

T 418-387-9090
1-877-GO-KALIA (1-877-465-2542)
F 418-387-9089

KaliaStyle.com





ONCE UPON A TIME...WATER®

103577

Wallbar for handshower

SPECIFICATIONS

Features

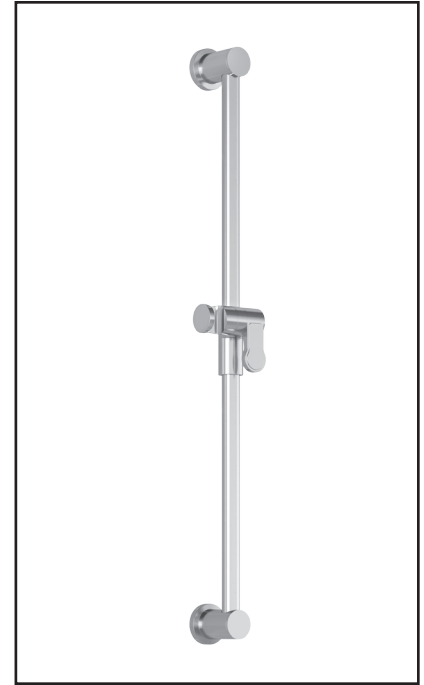
- Total height of 742 mm (30")
- Easy-to-use gliding system
- Locking system

Colors (Finishes)

- Chrome : 103577-110

Packaging

- **Dimensions:** 798 mm x 205 mm x 89 mm (31 1/2" x 8" x 3 1/2")
- **Volume:** 0.27 cu ft (0.010 cu m)
- **Total weight:** 1.9 lb (0.86 kg)



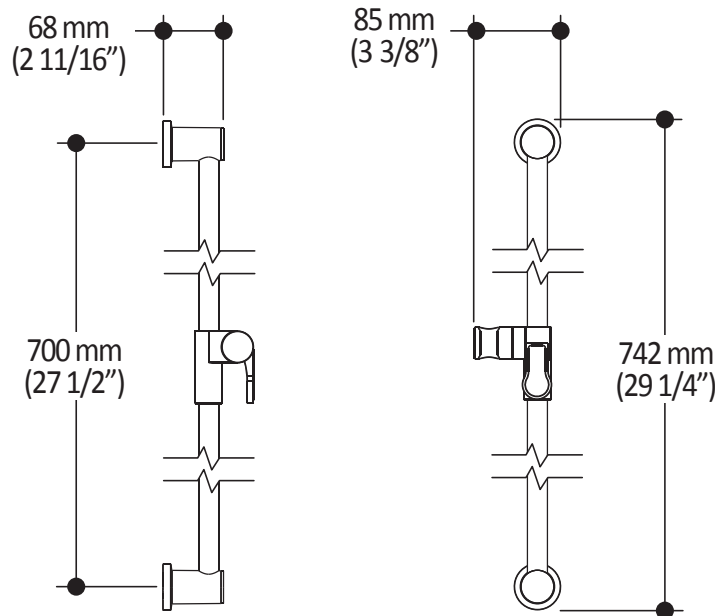
Installation Notes

This product must be installed following the installation instructions provided.

WARRANTY

Kalia Inc. guarantees all aspects of its products to be free of defects in material and workmanship for normal residential use. **Refer to the warranty included with the Kalia products for details.**

Product dimensions:



Important : Dimensions are approximated and are subject to changes. Please refer to the installation instructions.



ONCE UPON A TIME...WATER®

1355, 2nd Street
Sainte-Marie (Quebec)
Canada G6E 1G9

T 418-387-9090
1-877-GO-KALIA (1-877-465-2542)
F 418-387-9089

KaliaStyle.com





ONCE UPON A TIME...WATER®

KONTOUR™

BF1300

AQUATONIK™ type T/P 1/2" valve and decorative trim

SPECIFICATIONS

Features

- Solid brass construction
- No visible screw
- Integrated service stops with check valve
- Male water inlet 1/2NPT threaded or welded
- Can be installed back-to-back
- Total adjustment of 19 mm (3/4")

Certifications

The specified model meets or exceeds the following standards;

- ASME A112.18.1 / CSA B125.1
- ICC A117.1



Colors (Finishes)

- Chrome : BF1300-110

Packaging

- **Dimensions:** 370 mm x 190 mm x 205 mm (14 5/8 x 7 1/2 x 8 1/8)
- **Volume:** 0.014 cu m (0.51 cu ft)
- **Total weight:** 2.35 kg (5.18 lb)

Maximum flow rate

- 30 liters/min. (7.9 gallons/min.) at 60 psi

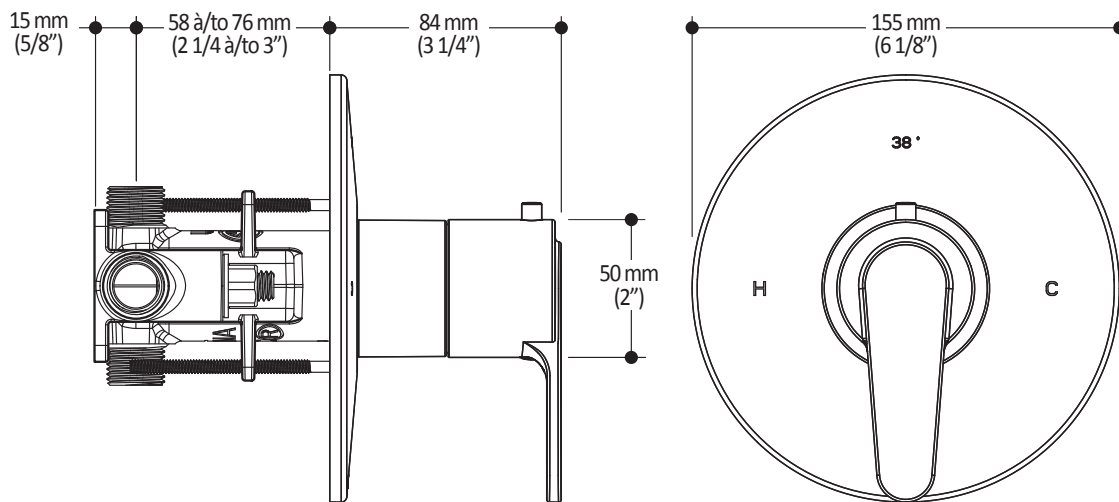
Installation Notes

This product must be installed following the installation instructions provided.

WARRANTY

Kalia Inc. guarantees all aspects of its products to be free of defects in material and workmanship for normal residential use. **Refer to the warranty included with the Kalia products for details.**

Product dimensions:



Important: Dimensions are approximated and are subject to changes. Please refer to the installation instructions.



ONCE UPON A TIME...WATER®

1355, 2^e Rue, Parc industriel
Sainte-Marie (Québec)
Canada G6E 1G9

T 418-387-9090
1-877-GO-KALIA (1-877-465-2542)
F 418-87-9089

KaliaStyle.com





ONCE UPON A TIME...WATER®

KONTOUR™

BF1621

Cal Green 1/2" Volume Control Valve 2 Way Diverter and Decorative Trim

SPECIFICATIONS

Features

- No visible screw
- Male water inlet 1/2NPT threaded or welded
- Solid brass construction
- Total adjustment of 19 mm (3/4")
- Support for better stability during installation included

Color (Finish)

- Chrome : BF1621-110

Packaging

- **Dimensions:** 305 mm x 117 mm x 92 mm (12" x 4 5/8" x 3 5/8")
- **Volume:** 0.12 cu ft (0.003 cu m)
- **Total weight:** 1.99 lb (0.99 kg)

Maximum flow rate

- 1 outlet: 16 liters/min. (4.3 gallons/min.) at 60 psi

Certifications

The specified model meets or exceeds the following standards;

- ASME A112.18.1 / CSA B125.1
- CalGreen
- ICCA117.1



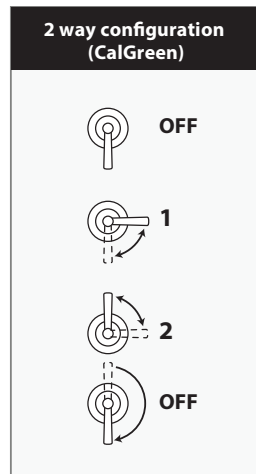
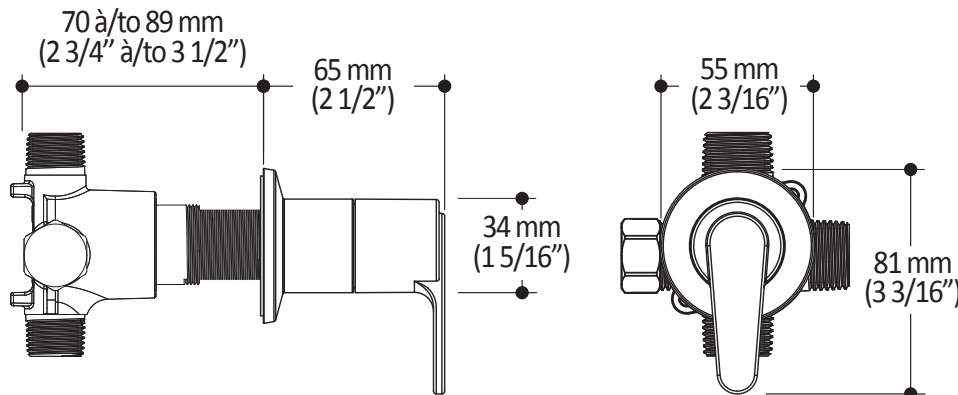
Installation Notes

This product must be installed following the installation instructions provided.

WARRANTY

Kalia Inc. guarantees all aspects of its products to be free of defects in material and workmanship for normal residential use. Refer to the warranty included with the Kalia products for details.

Product dimensions:



Important: Dimensions are approximated and are subject to changes. Please refer to the installation instructions.



ONCE UPON A TIME...WATER®

1355, 2^e Rue, Parc industriel
Sainte-Marie (Québec)
Canada G6E 1G9

T 418-387-9090
1-877-GO-KALIA (1-877-465-2542)
F 418-87-9089

KaliaStyle.com





102847 Wall Outlet

SPECIFICATIONS

Features

- Water 1/2" NPT (male or female) inlet
- Water G1/2 male outlet
- Solid brass construction
- PVD finish (Physical Vapour Deposit): A high technology process that protects the surface finish for increased durability

Colors (Finishes)

- Chrome : 102847-110
- Brushed Nickel PVD : 102847-120

Certifications

The specified model meets or exceeds the following standards;

- ASME A112.18.1 / CSA B125.1



Packaging

- **Dimensions:** 305mm x 117mm x 92mm (12" x 4 5/8" x 3 5/8")
- **Volume:** 0.12 cu ft (0.003 cu m)
- **Total weight:** 0.40 lb (0.18 kg)



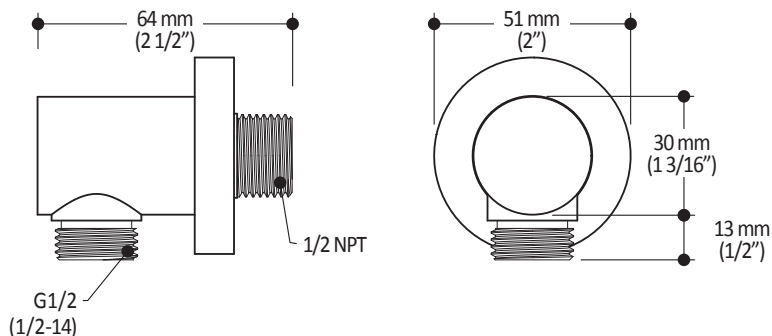
Installation Notes

This product must be installed following the installation instructions provided.

WARRANTY

Kalia Inc. guarantees all aspects of its products to be free of defects in material and workmanship for normal residential use. **Refer to the warranty included with the Kalia products for details.**

Product dimensions:



Important: Dimensions are approximated and are subject to changes. Please refer to the installation instructions.

Kalia inc.
1355, 2nd Street
Sainte-Marie (Quebec)
Canada G6E 1G9

t. 1-418-387-9090
1 877 GO KALIA (1-877-465-2542)
f. 1-418-387-9089
www.KaliaStyle.com