



Kalia

ONCE UPON A TIME...WATER®

GRAFIK™

BF1448-110-001

STANDARD: TG2 Thermostatic Shower System

SPECIFICATIONS



Components included

- BF1307-110: AQUATONIK™ type T/P 1/2" valve and decorative trim
- BF1607-110: CalGreen 2-way 1/2" diverter and decorative trim (operates 1 component at a time)
- BF1394-110: Rainhead with vertical ceiling arm
- 103574-110: 2-jet handshower (2 direct functions and 1 shared function)
- 103576-110: Wallbar
- 101620-110: 60" flexible and soft PVC hose
- 102856-110: Wall outlet

Colors (Finishes)

- Chrome: BF1448-110-001

Certifications

The specified model meets or exceeds the following standards;



See the following sheets for the technical features of each component.

Installation Notes

This product must be installed following the installation instructions provided.

WARRANTY

Kalia Inc. guarantees all aspects of its products to be free of defects in material and workmanship for normal residential use. **Refer to the warranty included with the Kalia products for details.**



Kalia

ONCE UPON A TIME...WATER®

1355, 2nd Street, Industrial Park
Sainte-Marie (Québec)
Canada G6E 1G9

T 418-387-9090
1-877-GO-KALIA (1-877-465-2542)
F 418 387-9089

KaliaStyle.com





ONCE UPON A TIME...WATER®

GRAFİK™

BF1307

AQUATONIK™ type T/P 1/2" valve and decorative trim

SPECIFICATIONS

Features

- Solid brass construction
- No visible screw
- Integrated service stops with check valve
- Male water inlet 1/2NPT threaded or welded
- Can be installed back-to-back
- Total adjustment of 19 mm (3/4")

Colors (Finishes)

- Chrome : BF1307-110

Certifications

The specified model meets or exceeds the following standards;

- ASME A112.18.1 / CSA B125.1
- ICC A117.1



Packaging

- **Dimensions:** 370 mm x 190 mm x 205 mm (14 5/8 x 7 1/2 x 8 1/8)
- **Volume:** 0.014 cu m (0.51 cu ft)
- **Total weight:** 2.48 kg (5.47 lb)

Maximum flow rate

- 30 liters/min. (7.9 gallons/min.) at 60 psi



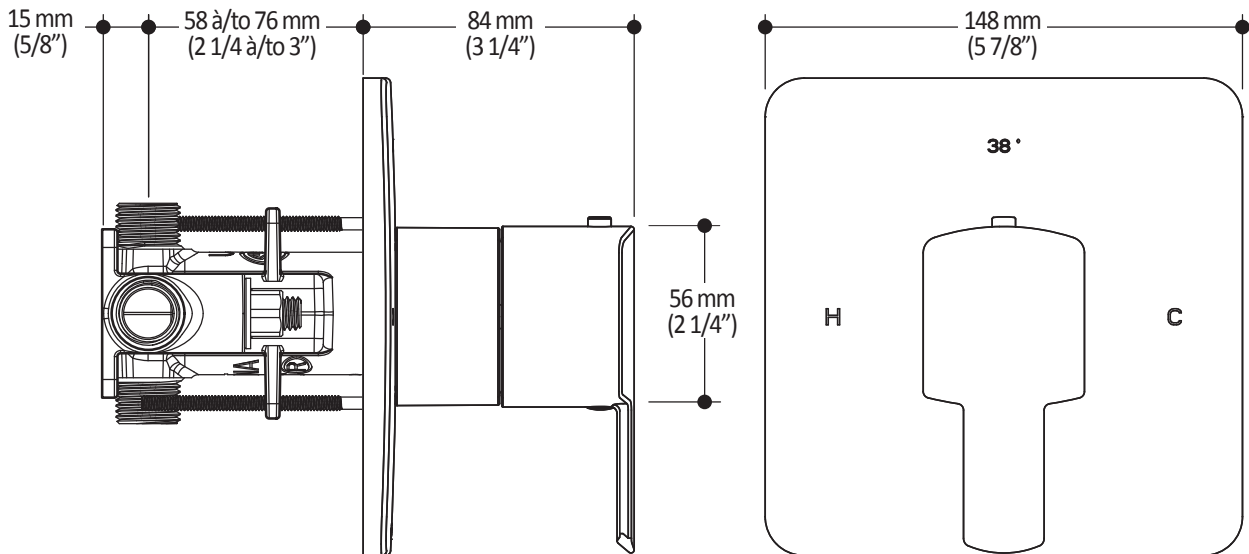
Installation Notes

This product must be installed following the installation instructions provided.

WARRANTY

Kalia Inc. guarantees all aspects of its products to be free of defects in material and workmanship for normal residential use. Refer to the warranty included with the Kalia products for details.

Product dimensions:



Important: Dimensions are approximated and are subject to changes. Please refer to the installation instructions.



ONCE UPON A TIME...WATER®

1355, 2° Rue, Parc industriel
Sainte-Marie (Québec)
Canada G6E 1G9

T 418-387-9090
1-877-GO-KALIA (1-877-465-2542)
F 418 -87-9089

KaliaStyle.com





ONCE UPON A TIME...WATER®

GRAFİK™

BF1607 CalGreen 2-way 1/2" diverter and Decorative Trim

SPECIFICATIONS

Features

- Solid brass construction
- No visible screw
- Male water inlet 1/2NPT threaded or welded
- Total adjustment of 19 mm (3/4")
- Support for better stability during installation included
- Operates 1 component at a time

Colors (Finishes)

- Chrome : BF1607-110

Certifications

The specified model meets or exceeds the following standards;



Packaging

- **Dimensions :**
315 mm x 125 mm x 115 mm
(12 3/8" x 4 7/8" x 4 1/2")
- **Volume:** 0.004 cu m (0.16 cu ft)
- **Total weight:** 1.22 kg (2.69 lb)

Maximum flow rate

- 1 outlet: 16 liters/min.
(4.3 gallons/min.) at 60 psi



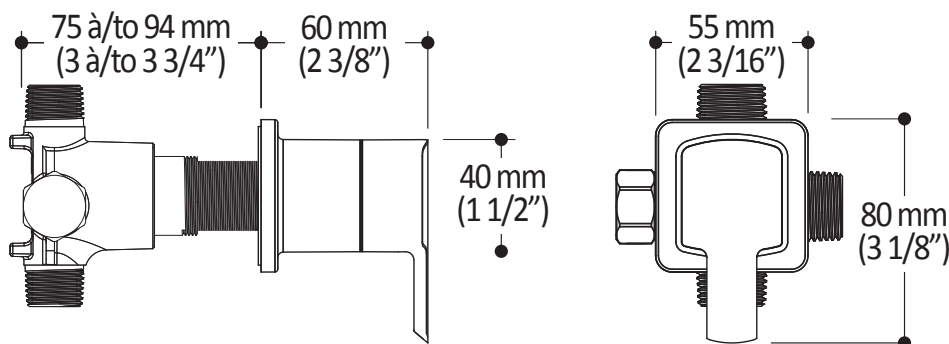
Installation Notes

This product must be installed following the installation instructions provided.

WARRANTY

Kalia Inc. guarantees all aspects of its products to be free of defects in material and workmanship for normal residential use. **Refer to the warranty included with the Kalia products for details.**

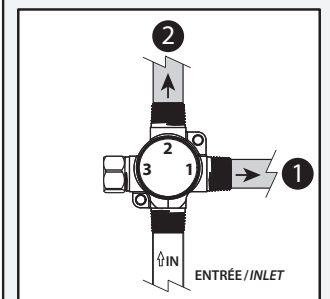
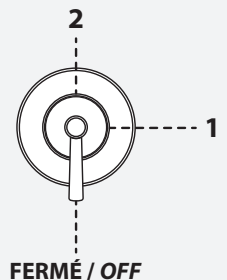
Product dimensions:



Important: Dimensions are approximated and are subject to changes. Please refer to the installation instructions.

Configuration 2 voies (CalGreen)

2-way configuration (CalGreen)



ONCE UPON A TIME...WATER®

1355, 2nd Street, Industrial Park
Sainte-Marie (Québec)
Canada G6E 1G9

T 418-387-9090
1-877-GO-KALIA (1-87- 465-2542)
F 418 387-9089

KaliaStyle.com





ONCE UPON A TIME...WATER®

BF1394 STANDARD: Rainhead with vertical ceiling arm

SPECIFICATIONS

Features

- Water 1/2" male inlet NPT
- Diameter of 195 mm (7 11/16")
- Anti-scale system with soft sprays
- Adjustable orientation swivel

Colors (Finishes)

- Chrome : BF1394-110

Certifications

The specified model meets or exceeds the following standards;

- ASME A112.18.1 / CSA B125.1



Packaging

- **Dimensions:** 205 mm x 205 mm x 85 mm (8" x 8" x 3 3/8")
- **Volume:** 0.14 cu ft (0.005 cu m)
- **Total weight:** 1.68 lb (0.76 kg)

Maximum flow rate

- 9.5 liters/min. (2.5 gallons/min.) at 80 psi



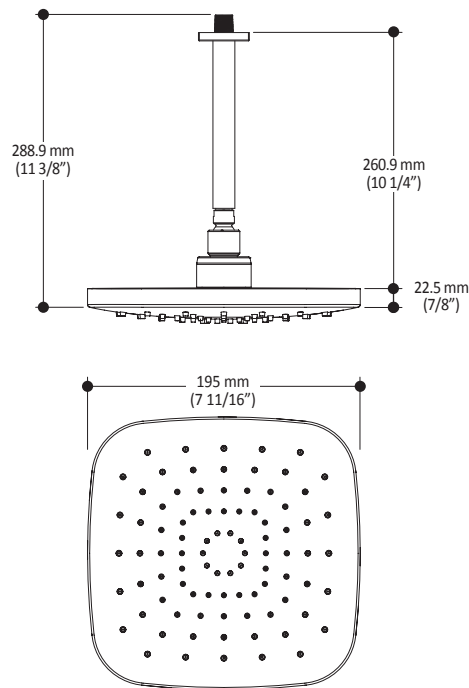
Installation Notes

This product must be installed following the installation instructions provided.

WARRANTY

Kalia inc. guarantees all aspects of its products to be free of defects in material and workmanship for normal residential use. **Refer to the warranty included with the Kalia products for details.**

Product dimensions:



Important : Dimensions are approximated and are subject to changes. Please refer to the installation instructions.



ONCE UPON A TIME...WATER®

1355, 2nd Street
Sainte-Marie (Quebec)
Canada G6E 1G9

T 418-387-9090
1-877-GO-KALIA (1-877-465-2542)
F 418-387-9089

KaliaStyle.com





ONCE UPON A TIME...WATER®

103574 STANDARD: 2-jet handshower

SPÉCIFICATIONS

Features

- Dimension: 106 mm (4 3/16")
- Anti-scale system with soft sprays
- Male water inlet G1/2
- 2 direct functions and 1 shared function
- Plastic construction

Colors (Finishes)

- Chrome : 103574-110

Certifications

The specified model meets or exceeds the following standards;



CSA B125.1
ASME A112.18.1

Packaging

- **Dimensions:**
340 mm x 300 mm x 60 mm
(13 3/8" x 11 3/4" x 2 3/8")
- **Volume:** 0.006 cu m (0.22 cu ft)
- **Total weight:** 0.48 kg (1.06 lb)

Maximum flow rate

- 9.5 liters/min. (2.5 gallons/min.)
at 80 psi



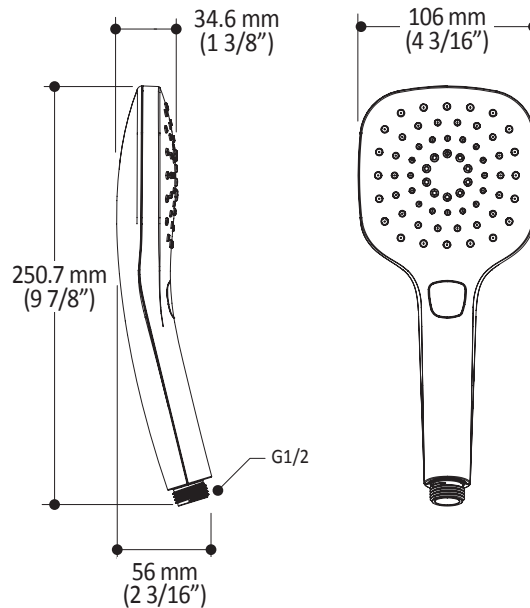
Installation Notes

This product must be installed following the installation instructions provided.

WARRANTY

Kalia Inc. guarantees all aspects of its products to be free of defects in material and workmanship for normal residential use. **Refer to the warranty included with the Kalia products for details.**

Product dimensions:



Important: Dimensions are approximated and are subject to changes. Please refer to the installation instructions.



ONCE UPON A TIME...WATER®

1355, 2nd Street, Industrial Park
Sainte-Marie (Québec)
Canada G6E 1G9

T 418-387-9090
1-877-GO-KALIA (1-87- 465-2542)
F 418 387-9089

KaliaStyle.com





ONCE UPON A TIME...WATER®

103576

Wallbar for handshower

SPECIFICATIONS

Features

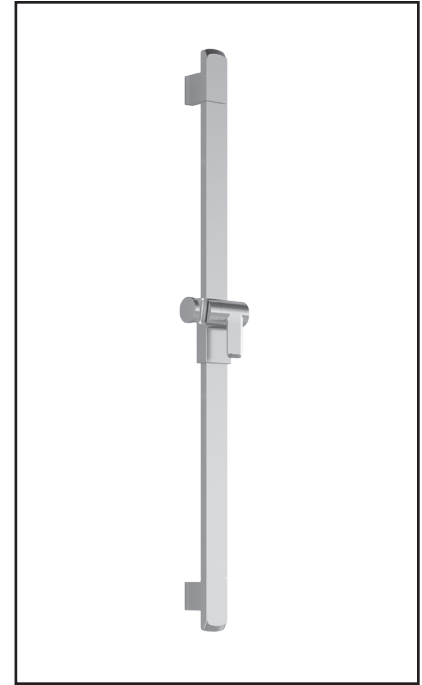
- Total height of 775 mm (30 1/2")
- Easy-to-use gliding system
- Locking system

Colors (Finishes)

- Chrome : 103576-110

Packaging

- **Dimensions:** 798 mm x 205 mm x 89 mm (31 1/2" x 8" x 3 1/2")
- **Volume:** 0.27 cu ft (0.010 cu m)
- **Total weight:** 1.54 lb (0.7 kg)



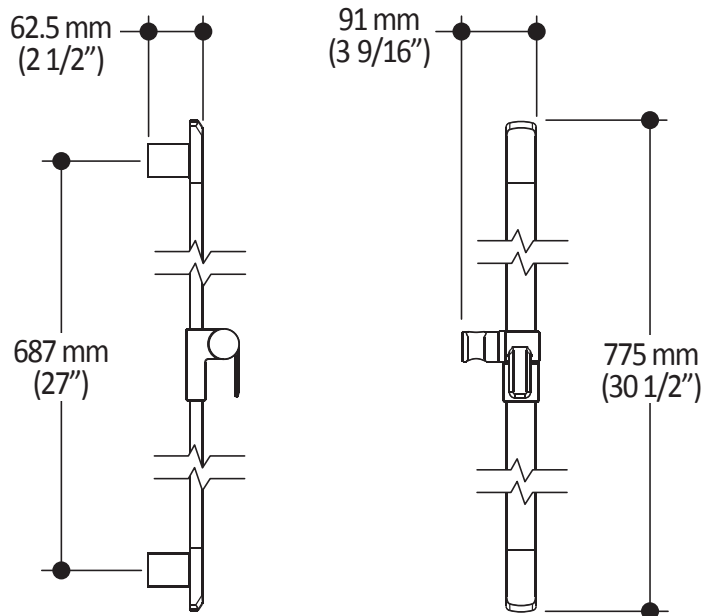
Installation Notes

This product must be installed following the installation instructions provided.

WARRANTY

Kalia Inc. guarantees all aspects of its products to be free of defects in material and workmanship for normal residential use. **Refer to the warranty included with the Kalia products for details.**

Product dimensions:



Important : Dimensions are approximated and are subject to changes. Please refer to the installation instructions.



ONCE UPON A TIME...WATER®

1355, 2nd Street
Sainte-Marie (Quebec)
Canada G6E 1G9

T 418-387-9090
1-877-GO-KALIA (1-877-465-2542)
F 418-387-9089

KaliaStyle.com





ONCE UPON A TIME...WATER®

102856 Wall Outlet

SPECIFICATIONS

Features

- Male or female water inlet 1/2NPT
- Male water outlet G1/2
- Solid brass construction

Colors (Finishes)

- Chrome : 102856-110

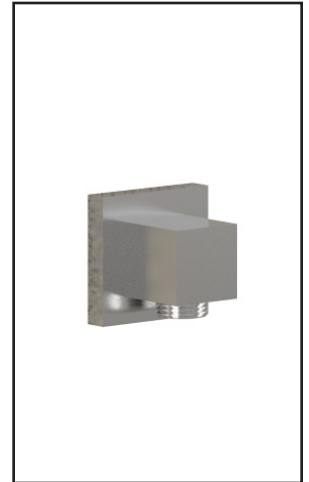
Certifications

The specified model meets or exceeds the following standards;



Packaging

- **Dimensions:**
325 mm x 280 mm x 45 mm
(12 3/4" x 11" x 1 3/4")
- **Volume:** 0.004 cu m (0.14 cu ft)
- **Total weight:** 0.4 kg (0.88 lb)



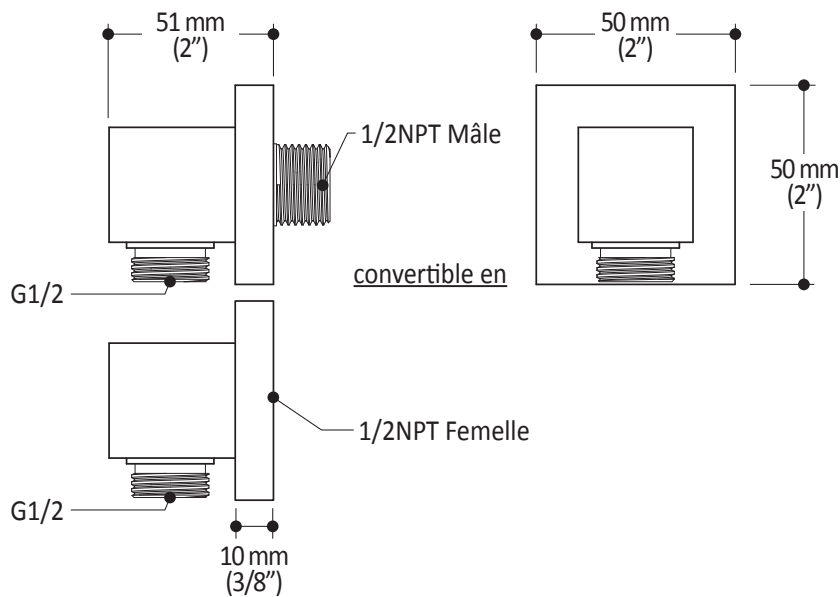
Installation Notes

This product must be installed following the installation instructions provided.

WARRANTY

Kalia Inc. guarantees all aspects of its products to be free of defects in material and workmanship for normal residential use. **Refer to the warranty included with the Kalia products for details.**

Product dimensions:



Important: Dimensions are approximated and are subject to changes. Please refer to the installation instructions.



ONCE UPON A TIME...WATER®

1355, 2nd Street, Industrial Park
Sainte-Marie (Québec)
Canada G6E 1G9

T 418-387-9090
1-877-GO-KALIA (1-87-465-2542)
F 418 387-9089

KaliaStyle.com

