



ONCE UPON A TIME...WATER®

## BF1441 2-way 1/2" diverter and decorative trim

### SPECIFICATIONS

#### Features

- Solid brass construction
- No visible screw
- Male water inlet 1/2NPT threaded or welded
- Total adjustment of 19 mm (3/4")
- Support for better stability during installation included
- Operates 1 or 2 components at a time

#### Colors (Finishes)

- Chrome : BF1441-110
- Brushed nickel PVD : BF1441-120

#### Certifications

The specified model meets or exceeds the following standards;

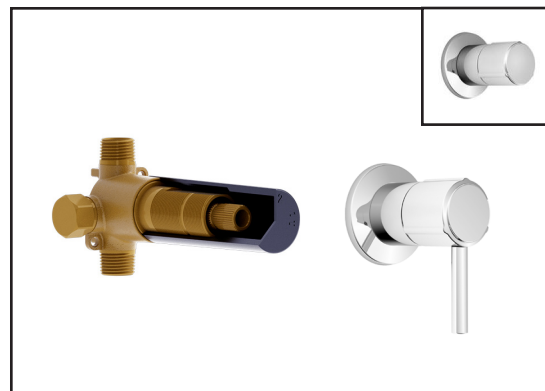


#### Packaging

- **Dimensions :**  
315 mm x 125 mm x 115 mm  
(12 3/8" x 4 7/8" x 4 1/2")
- **Volume:** 0.004 cu m (0.16 cu ft)
- **Total weight:** 1.02 kg (2.25 lb)

#### Maximum flow rate

- 1 outlet: 22 liters/min.  
(5.8 gallons/min.) at 60 psi
- 2 outlets: 24 liters/min.  
(6.4 gallons/min.) at 60 psi



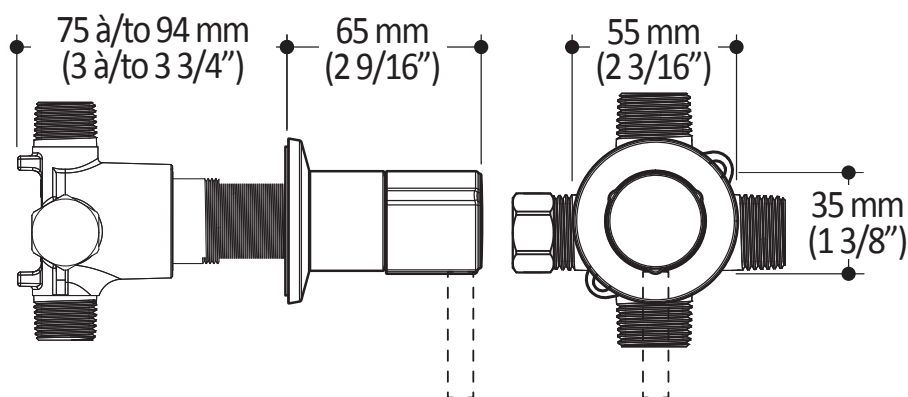
#### Installation Notes

This product must be installed following the installation instructions provided.

#### WARRANTY

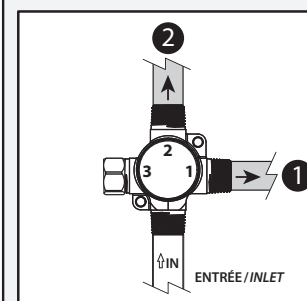
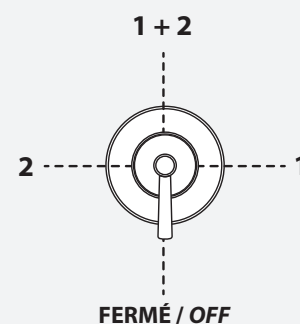
Kalia Inc. guarantees all aspects of its products to be free of defects in material and workmanship for normal residential use. **Refer to the warranty included with the Kalia products for details.**

Product dimensions:



**Important:** Dimensions are approximated and are subject to changes. Please refer to the installation instructions.

#### Configuration 2 voies 2-way configuration



ONCE UPON A TIME...WATER®

1355, 2<sup>nd</sup> Street, Industrial Park  
Sainte-Marie (Québec)  
Canada G6E 1G9

T 418-387-9090  
1-877-GO-KALIA (1-877-465-2542)  
F 418 387-9089

KaliaStyle.com

