



PROMIX™

BF1216

External thermostatic valve

SPECIFICATIONS

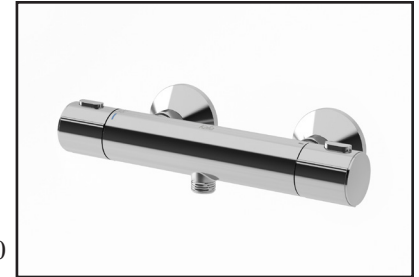
Features

- Solid brass construction
- Total adjustment of 38mm (1 1/2")
- On/Off Ceramic disc cartridge
- Water supply inlet 1/2" NPT
- Check valves included
- Kalia SensaCool system:
 - Minimizing risk of scalding



Packaging

- **Dimensions:** 356mm x 178mm x 191mm (14" x 7" x 7 1/2")
- **Volume:** 0.43 cu ft (0.012 cu m)
- **Total weight:** 4.6 lb (2.1 kg)



Flow rate

- 21.6 liters/min. (5.7 US gallons/min.) at 60 psi

Colors (Finishes)

- Chrome : BF1216-110

Certifications

The specified model meets or exceeds the following standards;

- ASME A112.18.1 / CSA B125.1
- MASS



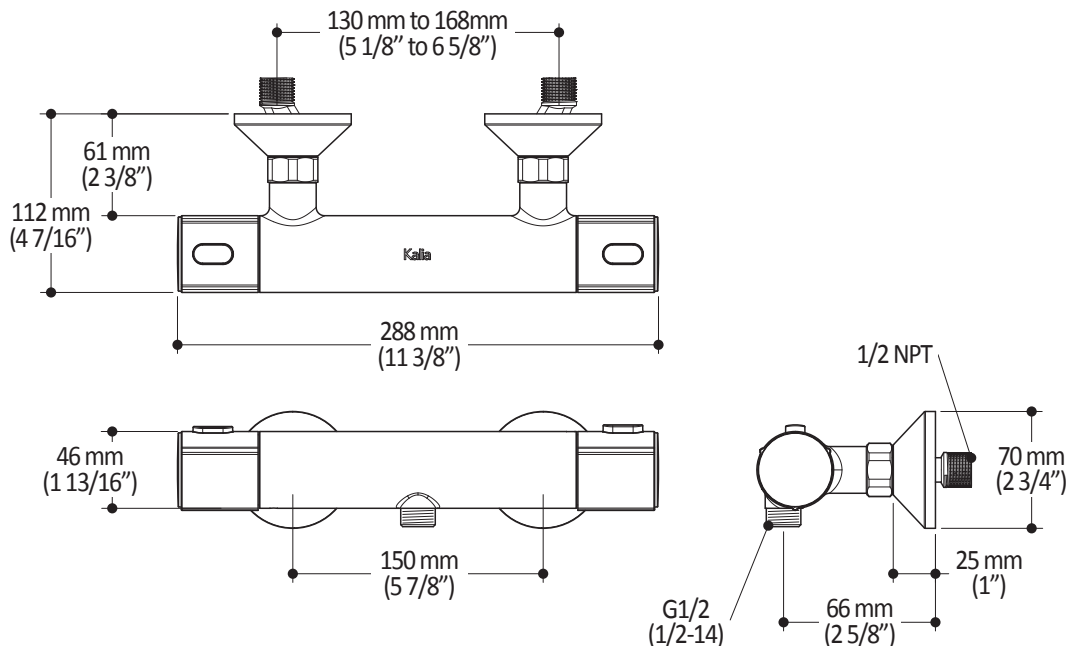
Installation Notes

This product must be installed following the installation instructions provided.

WARRANTY

Kalia Inc. guarantees all aspects of its products to be free of defects in material and workmanship for normal residential use. **Refer to the warranty included with the Kalia products for details.**

Product dimensions:



Important: Dimensions are approximated and are subject to changes. Please refer to the installation instructions.

Kalia inc.
1355, 2nd Street
Sainte-Marie (Quebec)
Canada G6E 1G9

t. 1-418-387-9090
1 877 GO KALIA (1-877-465-2542)
f. 1-418-387-9089
www.KaliaStyle.com