



ONCE UPON A TIME...WATER®

104811

CALGreen 2-way AQUATONIK™ type T/P 1/2" coaxial valve with diverter

SPECIFICATIONS

Features

- Solid brass construction
- Two male water inlets 1/2NPT threaded or welded
- Two male water outlets 1/2NPT threaded or welded
- Total adjustment of 32 mm (1 1/4")
- Integrated service stops
- Can be installed back to back
- Support for better stability during installation included

Packaging

- **Dimensions:** 370 mm x 190 mm x 205 mm (14 5/8 x 7 1/2 x 8 1/8)
- **Volume:** 0.014 cu m (0.51) cu ft
- **Total weight:** 1.65 kg (3.6 lb)



Maximum flow rate

- 1 outlet = 25 L/min (6.6 gpm) at 60 psi

Certifications

The specified model meets or exceeds the following standards;

ASME A112.18.1 / CSA B125.1

ICC A117.1

CALGreen



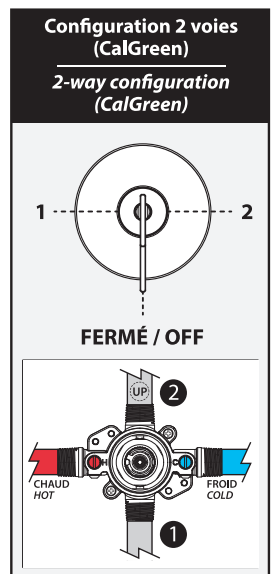
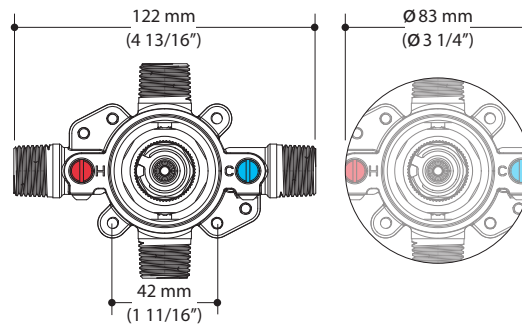
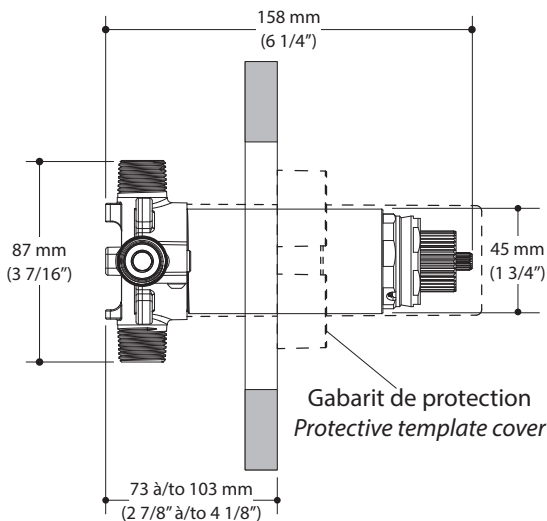
Installation Notes

This product must be installed following the installation instructions provided.

WARRANTY

Kalia Inc. guarantees all aspects of its products to be free of defects in material and workmanship for normal residential use. Refer to the warranty included with the Kalia products for details.

Product dimensions:



Important: Dimensions are approximated and are subject to changes. Please refer to the installation instructions.



ONCE UPON A TIME...WATER®

1355, 2^e Rue, Parc industriel
Sainte-Marie (Québec)
Canada G6E 1G9

T 418-387-9090
1-877-GO-KALIA (1-877-465-2542)
F 418-87-9089

KaliaStyle.com

