

Features

- Water 1/2" male inlet NPT threaded or sweat
- 2 1/2" male outlet NPT threaded or sweat
- Solid brass construction
- Total adjustment of 19 mm (3/4")
- Support for better stability during installation included

Packaging

- Dimensions : 165mm x 90mm x 55mm
(6 1/2" x 3 9/16" x 2 3/16")
- Volume : 0.10 cu ft (0.001 cu m)
- Total weight : 1.5 lb (0.68 kg)

Maximum flow rate

- 1 outlet: 16 liters/min. (4.3 gallons/min.) at 60 psi



Certifications

The specified model meets or exceeds the following standards;

- ASME A112.18.1 / CSA B125.1
- CalGreen
- ICC A117.1



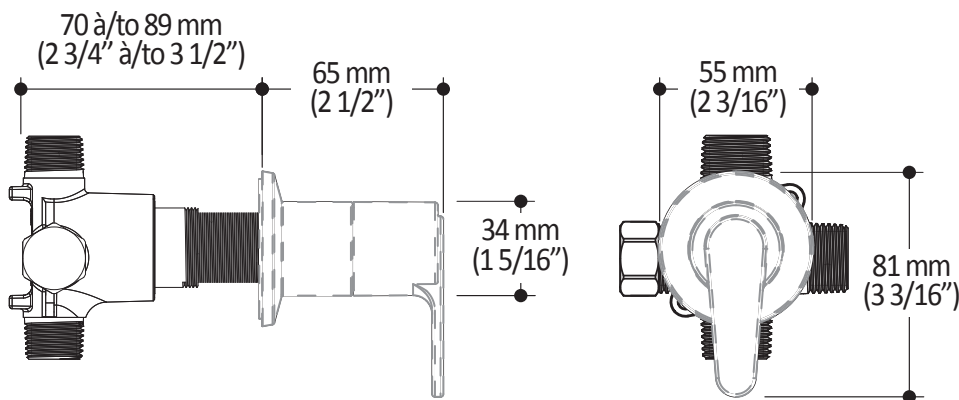
Installation Notes

This product must be installed following the installation instructions provided.

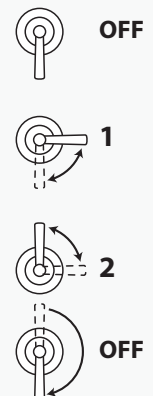
WARRANTY

Kalia Inc. guarantees all aspects of its products to be free of defects in material and workmanship for normal residential use. Refer to the warranty included with the Kalia products for details.

Product dimensions:



2 way configuration (CalGreen)



Important: Dimensions are approximated and are subject to changes. Please refer to the installation instructions.