

Features

- Water G 1/2 female inlet
- 156 mm (6 1/8") diameter
- Anti-scale system with soft sprays
- Adjustable orientation swivel
- Solid brass construction rainhead

Color (Finish)

- Chrome : 103965-110

Certifications

The specified model meets or exceeds the following standards;

- ASME A112.18.1 / CSA B125.1



Packaging

- **Dimensions:** 175mm x 165mm x 125mm (6 7/8 X 6 1/2 X 4 7/8)
- **Volume:** 0.12 cu ft (0.0036 cu m)
- **Total weight:** 1.85 lb (0.84 kg)

Maximum flow rate

- 9.5 liters/min. (2.5 gallons/min.) at 80 psi



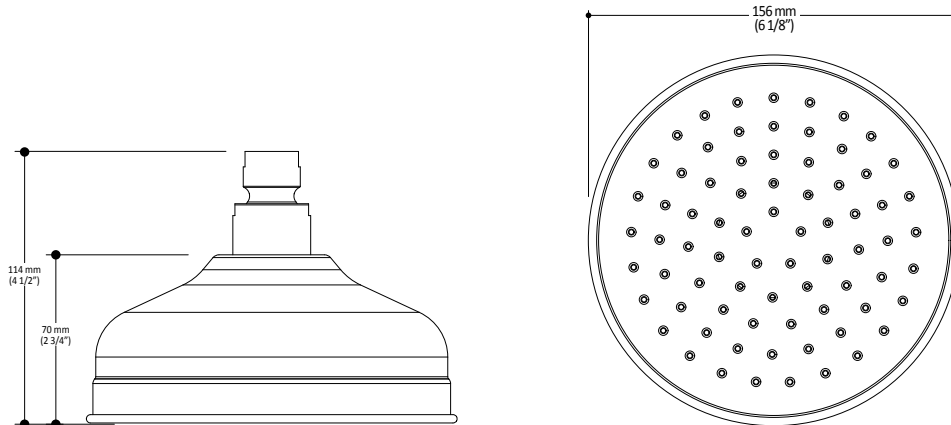
Installation Notes

This product must be installed following the installation instructions provided.

WARRANTY

Kalia Inc. guarantees all aspects of its products to be free of defects in material and workmanship for normal residential use. **Refer to the warranty included with the Kalia products for details.**

Product dimensions:



Important: Dimensions are approximated and are subject to changes. Please refer to the installation instructions.