



Kalia

ONCE UPON A TIME...WATER®

UMANI™

102899

Arm flange

SPECIFICATIONS

Features

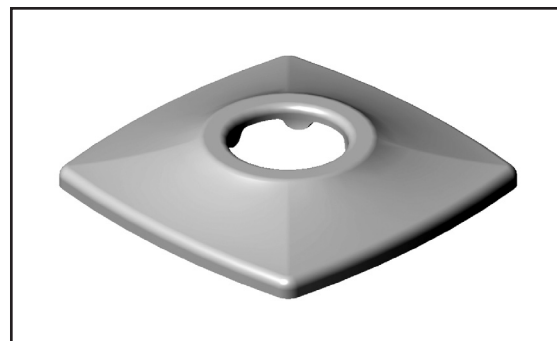
- Can receive an arm of 20.5 mm (3/4") Ø
- Adjustable flange

Colors (Finishes)

- Chrome: 102899-110
- Brushed Nickel: 102899-120

Packaging

- **Dimensions:** 60 mm x 60 mm x 75 mm (2 3/8" x 2 3/8" x 3")
- **Volume:** 0.00027 m³ (0.0097 pi³)
- **Total weight:** 0.10 lb (0.04 kg)



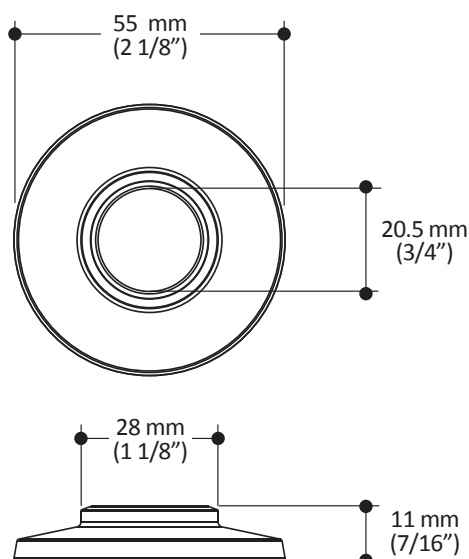
Installation Notes

This product must be installed following the installation instructions provided.

WARRANTY

Kalia Inc. guarantees all aspects of its products to be free of defects in material and workmanship for normal residential use. **Refer to the warranty included with the Kalia products for details.**

Product dimensions:



Important: Dimensions are approximated and are subject to changes. Please refer to the installation instructions.



ONCE UPON A TIME...WATER®

1355, 2^e Rue, Parc industriel
Sainte-Marie (Québec)
Canada G6E 1G9

T 418-387-9090
1-877-GO-KALIA (1-877-465-2542)
F 418-87-9089

KaliaStyle.com

