



101573

1/2" Pressure balance valve with diverter

SPECIFICATIONS

Features

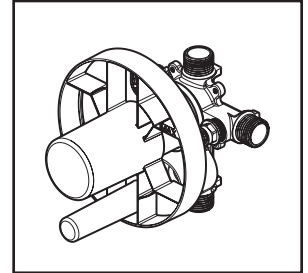
- 1/2" NPT male inlet - threaded or sweat
- Integrated service stops
- Total adjustment of 19mm (3/4")
- Support for better stability during installation included
- Can be installed back-to-back
- Push-button diverter with automatic reset
- Solid brass construction

Packaging

- **Dimensions:** 180mm x 155mm x 170mm (7 1/8" x 6 1/8" x 6 11/16")
- **Volume:** 0.17 cu ft (0.005 cu m)
- **Total weight:** 2.85 lb (1.29 kg)

Maximum flow rate

- 20 liters/min. (5.28 gallons/min.) at 60 psi



Certifications

The specified model meets or exceeds the following standards;

ASME A112.18.1 / CSA B125.1



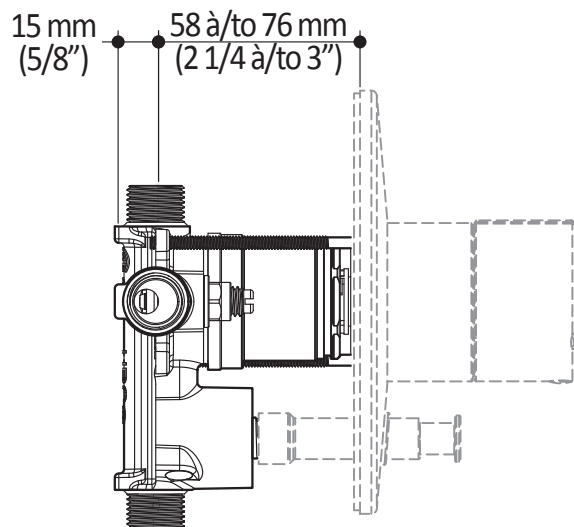
Installation Notes

This product must be installed following the installation instructions provided.

WARRANTY

Kalia Inc. guarantees all aspects of its products to be free of defects in material and workmanship for normal residential use. **Refer to the warranty included with the Kalia products for details.**

Product dimensions:



Important: Dimensions are approximated and are subject to changes. Please refer to the installation instructions.



ONCE UPON A TIME...WATER®

1355, 2nd Street
Sainte-Marie (Quebec)
Canada G6E 1G9

T 418-387-9090
1-877-GO-KALIA (1-877-465-2542)
F 418-387-9089

KaliaStyle.com

