



Included Accessories

cUPC®



BGDS15S

Optional Accessories



C09S



MB100

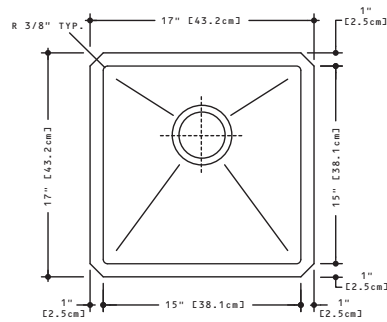


DBR10S

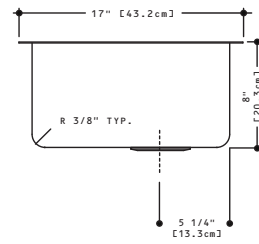


CM100

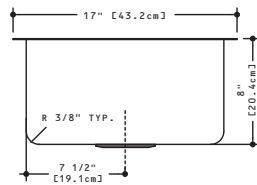
PLAN VIEW



SIDE VIEW



FRONT VIEW



KCUS21A/8-10BG SPECIFICATION

Model KCUS21A/8-10BG is a single bowl undermount sink, with 10mm radius coved corners, manufactured for Franke Kindred Canada Limited from 18 gauge, 18-10 stainless steel. All exposed surfaces have a #4 commercial satin finish. Sink has sound deadening pads and is fully undercoated. Basket strainer waste fitting (3 1/2", 89 mm) and template are included. Sink is backed with a limited buyer lifetime warranty.

- O.D. 17" x 17" x 8" (43.2 x 43.2 x 20.3 cm)
- **18" cabinet - minimum to accept sink bowl**

FUN# 123.0178.906



Accessoires inclus

cUPC®



BGDS15S

Accessoires optionnels



C09S



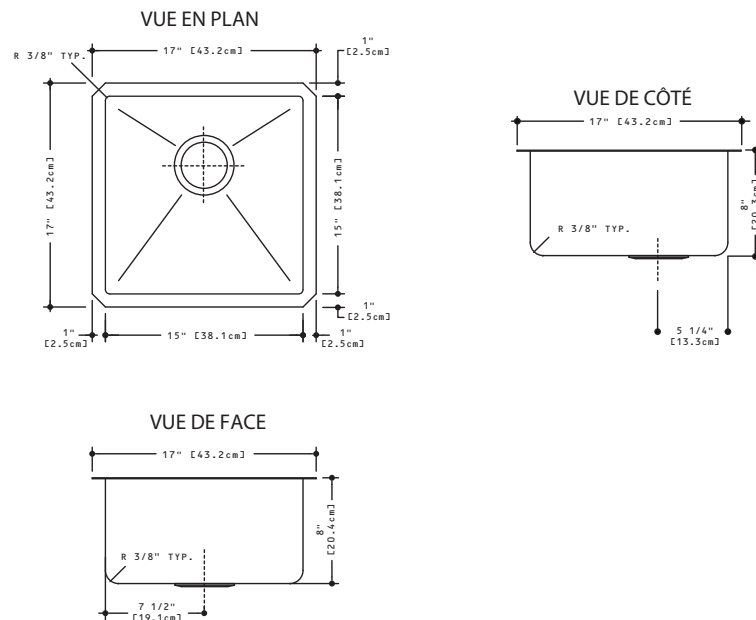
MB100



DBR10S



CM100



KCUS21A/8-10BG DONNÉES TECHNIQUES

Le modèle KCUS21A/8-10BG est un évier pour installation sous le comptoir à une cuvette, coins arrondis à gorge de 10 mm, fabriqué d'acier inoxydable 18-10, calibre 18 pour Franke Kindred Canada Limitée. Toutes les surfaces apparentes ont un fini satiné commercial # 4. L'évier est muni de tampons amortisseurs de son et est revêtu d'un enduit sur toute la surface inférieure. Une bonde de vidage à crépine-panier de 89 mm (3 1/2 po) et un gabarit sont compris. Une garantie à vie limitée est offerte à l'acheteur.

- Dimensions hors-tout: 43.2 x 43.2 x 20.3 cm (17 x 17 x 8 po)
- **Armoire de 18 po - minimum recevant les cuvettes d'évier**

FUN# 123.0178.906



Included Accessories

cUPC®



BGDS13S



BGDS10S

Optional Accessories



C09S



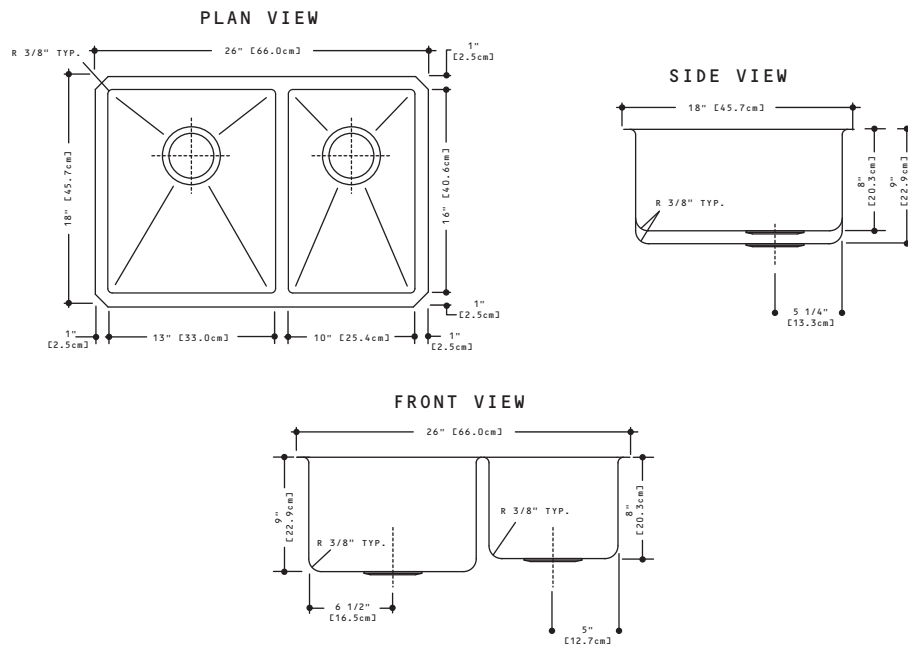
MB100



DBR10S



CM100



KCUC27R/9-10BG SPECIFICATION

Model KCUC27R/9-10BG is a large bowl/small bowl undermount sink, with 10 mm radius coved corners, manufactured for Franke Kindred Canada Limited from 18 gauge, 18-10 stainless steel. All exposed surfaces have a #4 commercial satin finish. Sink has sound deadening pads and is fully undercoated. Basket strainer waste fittings (3 1/2", 89 mm) and template are included. Sink is backed with a limited buyer lifetime warranty.

- O.D. 18" x 26" x 9" (small bowl is 8" deep) 45.7 x 66.0 x 22.9 cm (small bowl is 20.3 cm deep)
- **27" cabinet - minimum to accept sink bowls**

FUN# 123.0178.910