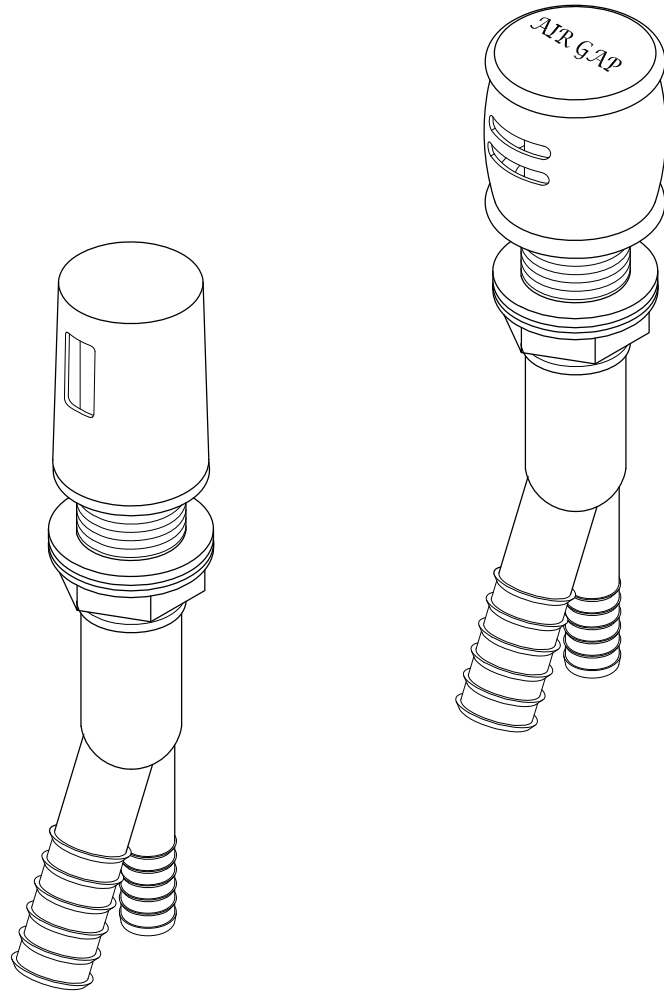


KINGSTON

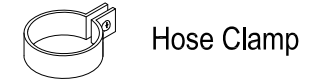
KITCHEN & BATH

Air Cap Installation

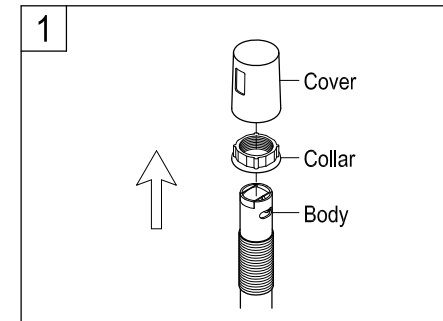


www.kingstonbrass.com
 TOLL-FREE CUSTOMER SERVICE: 1-877-2-KBRASS
 TECHNICAL SUPPORT E-mail: service@kingstonbrass.com
 12775 Reservoir Street, Chino, CA 91710

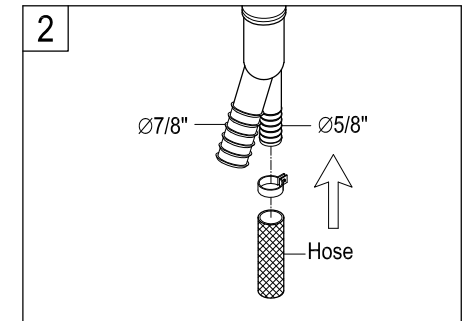
TOOLS REQUIRED



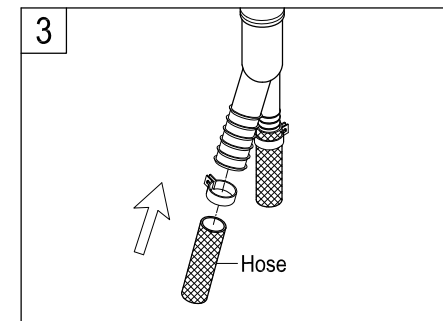
INSTALLATION INSTRUCTIONS



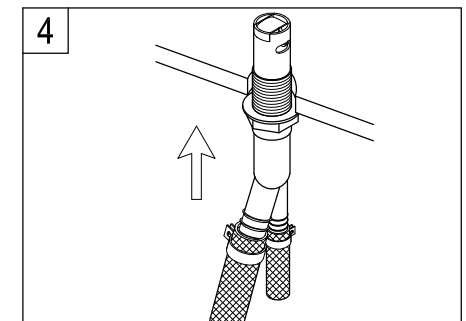
1. Remove cover and collar from body.



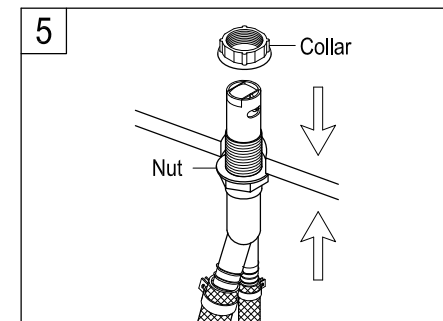
2. Attach 5/8" dishwasher drain hose to 5/8" leg. Secure with hose clamp.



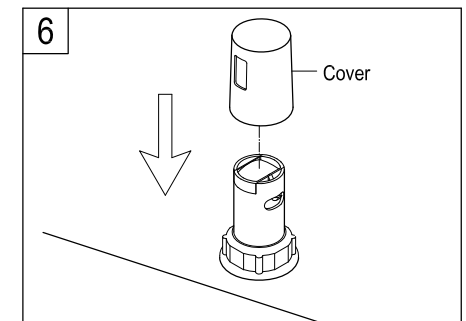
3. Attach 7/8" garbage disposal hose or side inlet sink trap drain hose to 7/8" leg. Secure with hose clamp.



4. Air Cap should appear above sink rim surface. Push body through mounting hole.



5. Tighten the nut and collar.



6. Place cover over the body collar.