

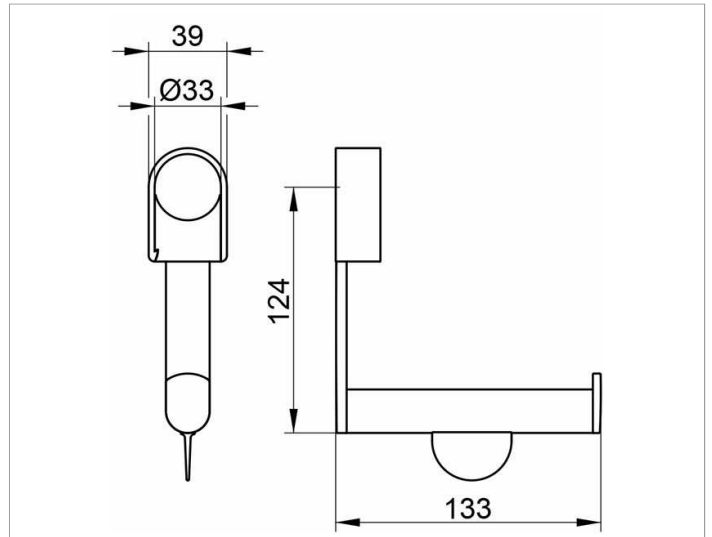
Plan Care

34962010000 Toilet paper holder

PRODUCT



DRAWING



PRODUCT ATTRIBUTES

for mounting on rail system

SURFACE

chrome-plated

SPECIFICATIONS

KEUCO PLAN CARE Toilet paper holder, 34962010000,  
high shine chrome-plated  
for mounting on an angle bar

May be combined with angle bar  
(Art. no. 34906)  
Please order separately!