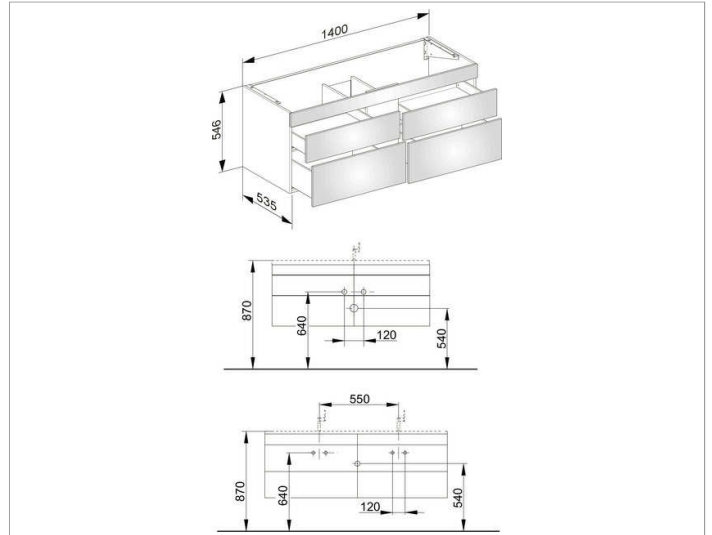


Edition 400
31562XX0000 Vanity unit

PRODUCT



DRAWING



PRODUCT ATTRIBUTES

compatible with ceramic washbasin Article No. 31160/32160,
4 drawer fronts with push-to-open mechanism and
soft closing, incl. odour trap made of plastic 1 1/4 x 32

SURFACE

37, 38, 39, 45

DIMENSION

1400 x 546 x 535 mm

NOTE

For the interior fittings of the drawers are divisions in several sizes available, see interior sets article no. 31599.

Please order separately.

When ordering please ensure to replace XX or ZZ with appropriate number for the chosen carcass and front finish combinations.