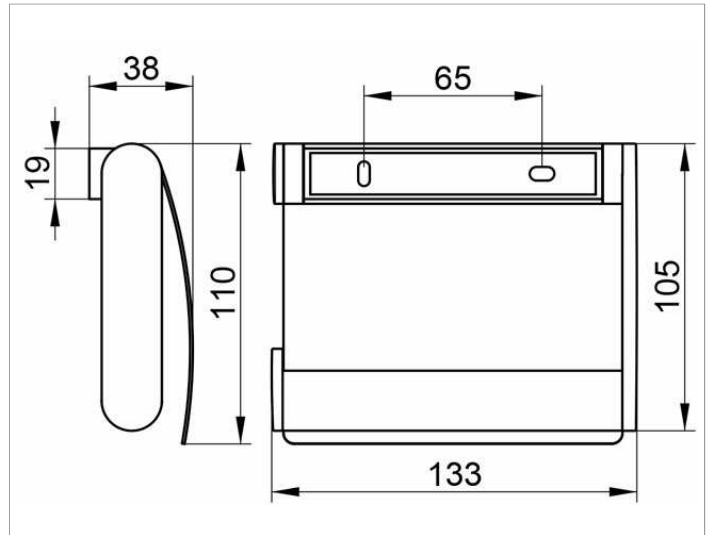


Plan
14960070000 Toilet paper holder

PRODUCT



DRAWING



PRODUCT ATTRIBUTES

with lid
for 100/120 mm wide paper rolls

SURFACE

stainless steel

SPECIFICATIONS

KEUCO PLAN toilet paper holder 14960070000

Toilet paper holder in high grade stainless steel, in a stylish yet functional design

with a beautiful curved lid

suitable for 100/120 mm wide toilet rolls

width 133 mm, height 110 mm, projection 38 mm

The toilet paper holder is fitted with 2 hidden fixing points
incl. corrosion-free mounting material