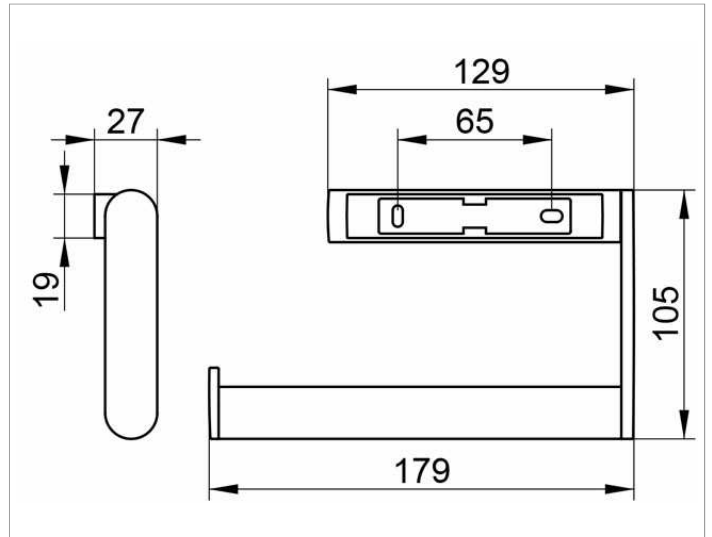


Plan
1492201000 Towel ring

PRODUCT



DRAWING



PRODUCT ATTRIBUTES

small model

SURFACE

chrome-plated

SPECIFICATIONS

KEUCO PLAN towel ring 1492201000

Chrome-plated towel ring in a stylish yet functional design

Small model, open form, rectangular

Towel arm swivels, load bearing up to 25 kg, anti static, easy to clean

Width 179 mm, height 105 mm

The towel ring is fitted with 2 hidden fixing points
 incl. corrosion-free mounting material