

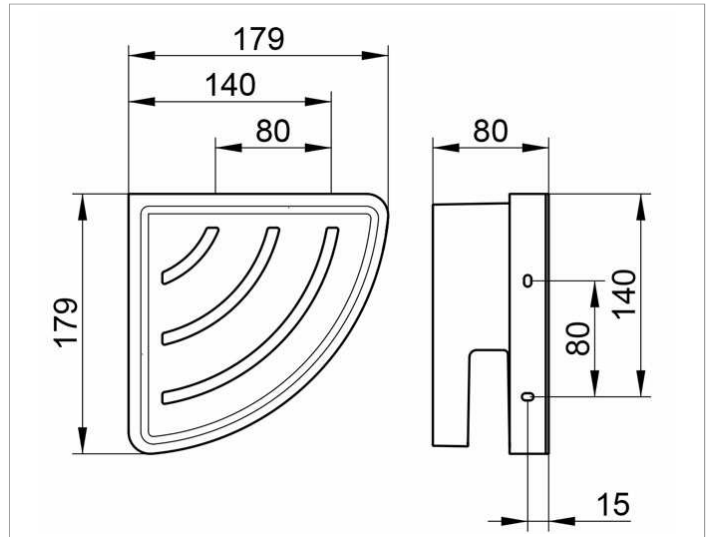
Collection Moll

12757010001 Shower basket for corner installation

PRODUCT



DRAWING



PRODUCT ATTRIBUTES

two parts: metal bracket and detachable synthetic insert, soap resistant, shutterproof, uv-protected

SURFACE

chrome-plated/anthracite

SPECIFICATIONS

KEUCO COLLECTION MOLL shower basket for corner, wall mounted 12757010001
 Chrome-plated metal basket with removable, soap resistant, break-proof and UV- protected, anthracite, easy to clean
 Total depth 180 mm, height 80 mm, leg length 180 mm
 The shower basket is fitted with four hidden fixing points incl. corrosion-free mounting material