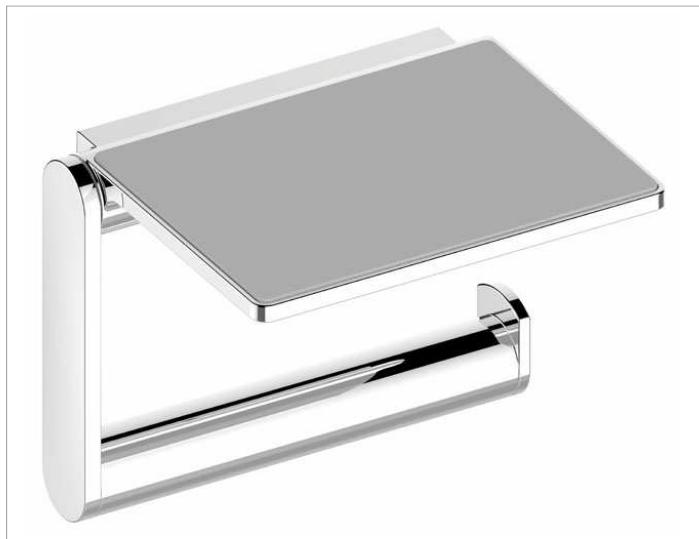
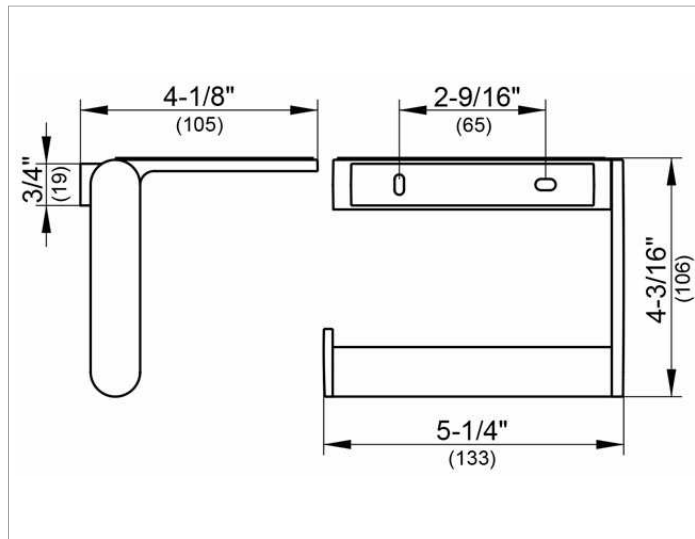


Plan
14973070000 Toilet paper holder

PRODUCT



DRAWING



PRODUCT ATTRIBUTES

with shelf, anti-slip insert in grey

SURFACE

stainless steel finish

SPECIFICATIONS

KEUCO PLAN Toilet Paper Holder With Shelf 14973070000
 Toilet paper holder in stainless steel finish,
 for roll width 100/120 mm,
 shelf option with gray anti-slip overlay made of rubber,
 e.g. for mobile phones and accessories,
 in an aesthetic, functional design, open design,
 width 133 mm, height 106 mm, projection 105 mm
 The toilet paper holder is concealed
 Delivery incl. corrosion-free mounting material

Warranty: KEUCO products are covered by a 5-year manufacturer's warranty, in effect from the date of purchase. During this time, proven product defects will be remedied free of charge. Warranty claims must be filed in writing, including a detailed description of the defect immediately after a defect has occurred. For a copy of our detailed product warranty policy, please contact us at office-usa@keuco.com.

Installation: KEUCO products must be installed by a qualified professional in accordance with the respective installation guidelines and any applicable federal / local building codes and regulations.