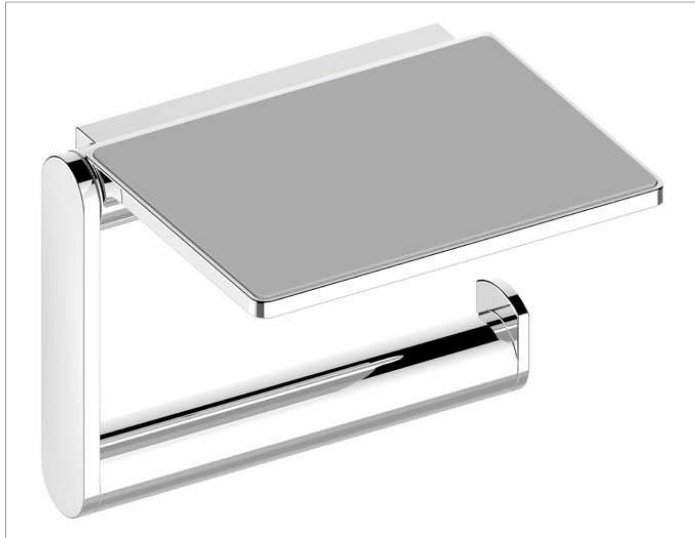
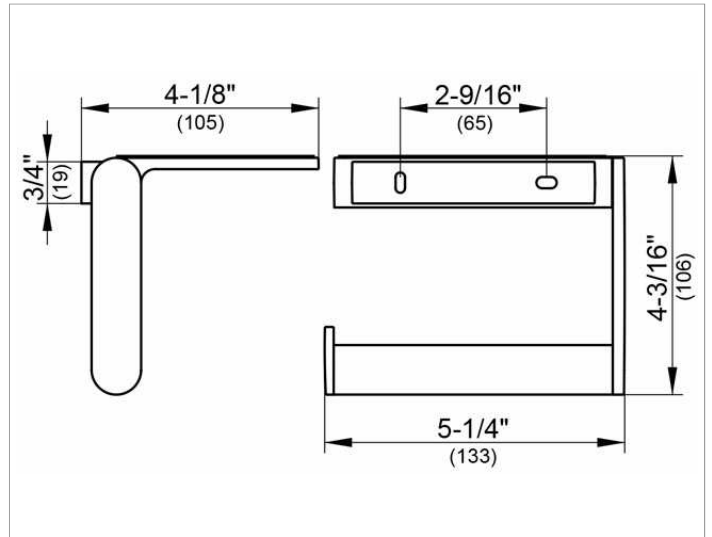


**Plan**  
**14973010000 Toilet paper holder**

**PRODUCT**



**DRAWING**



**PRODUCT ATTRIBUTES**

with shelf, anti-slip insert in grey

**SURFACE**

chrome-plated

**SPECIFICATIONS**

KEUCO PLAN Toilet Paper Holder With Shelf 14973010000  
 High gloss chrome-plated toilet paper holder, for roll width 3-15/16" / 4-3/4",  
 shelf option with gray anti-slip overlay made of rubber,  
 e.g. for mobile phones and accessories,  
 in an aesthetic, functional design, open design,  
 width 5-1/4", height 4-3/16", projection 4-1/8"  
 the toilet paper holder is concealed  
 Delivery incl. corrosion-free mounting material

**Warranty:** KEUCO products are covered by a 5-year manufacturer's warranty, in effect from the date of purchase. During this time, proven product defects will be remedied free of charge. Warranty claims must be filed in writing, including a detailed description of the defect immediately after a defect has occurred. For a copy of our detailed product warranty policy, please contact us at office-usa@keuco.com.

**Installation:** KEUCO products must be installed by a qualified professional in accordance with the respective installation guidelines and any applicable federal / local building codes and regulations.