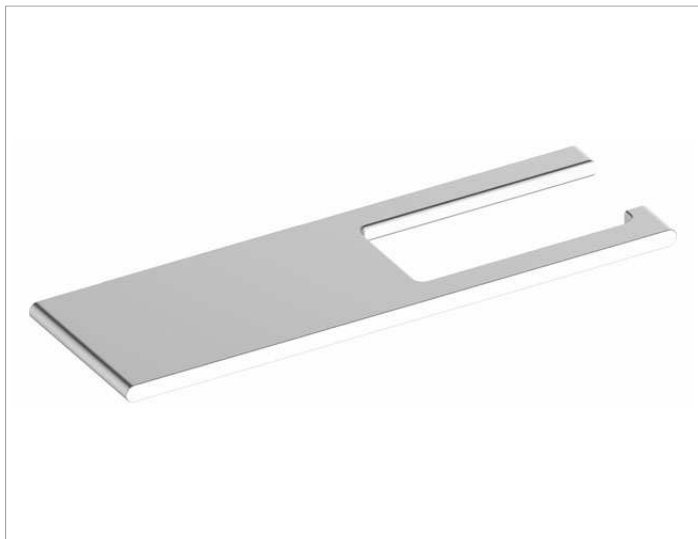


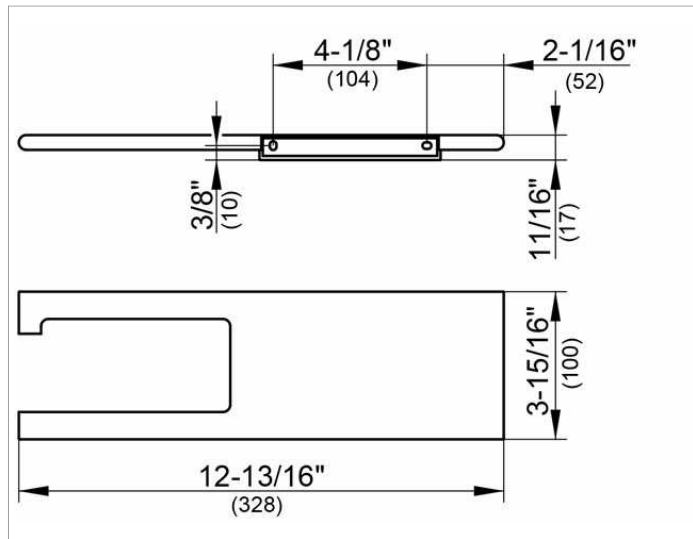
Edition 400

11573170000 Toilet paper holder

PRODUCT



DRAWING



PRODUCT ATTRIBUTES

with shelf

SURFACE

aluminium silver anodized (E6 EV1)

SPECIFICATIONS

KEUCO Edition 400 Toilet Paper Holder With Shelf, 11573170000
 Toilet paper holder made of solid aluminum, for roll width 3-15/16" / 4-3/4",
 with shelf space, e.g. for mobile phones and accessories,
 silver anodized (E6 EV1), wall model, with slightly rounded edges,
 width 12-13/16", thickness 3/8", depth 3-15/16", shelf 7-5/16" wide
 the toilet paper holder with shelf is concealed,
 delivery incl. corrosion-free mounting material

Warranty: KEUCO products are covered by a 5-year manufacturer's warranty, in effect from the date of purchase. During this time, proven product defects will be remedied free of charge. Warranty claims must be filed in writing, including a detailed description of the defect immediately after a defect has occurred. For a copy of our detailed product warranty policy, please contact us at office-usa@keuco.com.

Installation: KEUCO products must be installed by a qualified professional in accordance with the respective installation guidelines and any applicable federal / local building codes and regulations.