

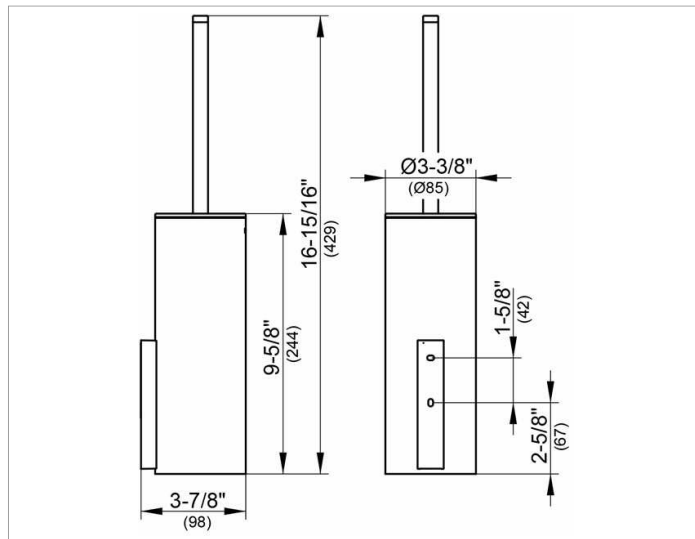
Edition 400

11564059000 Toilet brush set

PRODUCT



DRAWING



PRODUCT ATTRIBUTES

wall mounted, complete with crystal glass insert matte, detachable matte synthetic insert, brush with handle and lid, spare brush head

SURFACE

brushed nickel

SPECIFICATIONS

KEUCO Edition 400 toilet brush set, 11564059000 brushed nickel toilet brush set, sculptural design, wall-mounted, complete with crystal glass insert, matt brush with handle and lid, spare brush head, detachable opaque synthetic insert for easy cleaning, height insert 9-5/8" (height including brush 16-15/16"), diameter 3-3/8", depth 3-7/8", the toilet brush set is fitted concealed, delivery includes anti-corrosion fixings

Warranty: KEUCO products are covered by a 5-year manufacturer's warranty, in effect from the date of purchase. During this time, proven product defects will be remedied free of charge. Warranty claims must be filed in writing, including a detailed description of the defect immediately after a defect has occurred. For a copy of our detailed product warranty policy, please contact us at office-usa@keuco.com.

Installation: KEUCO products must be installed by a qualified professional in accordance with the respective installation guidelines and any applicable federal / local building codes and regulations.