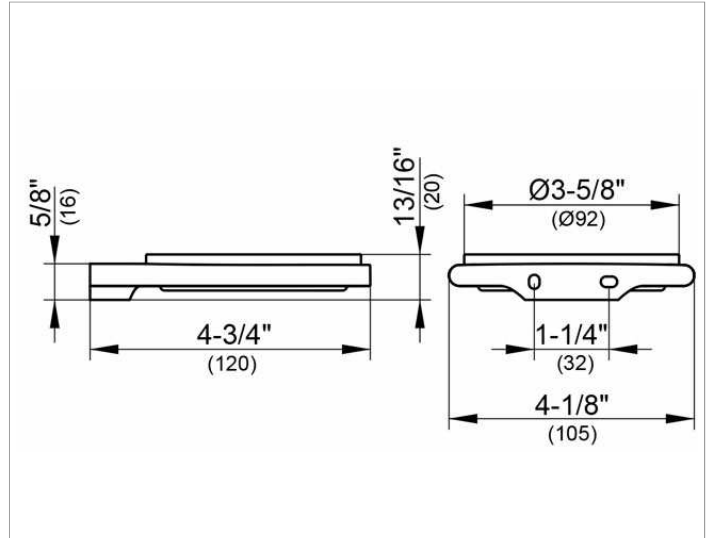


Edition 400
11555139000 Soap holder

PRODUCT



DRAWING



PRODUCT ATTRIBUTES

complete with crystal soap dish matt

SURFACE

brushed black chrome

SPECIFICATIONS

KEUCO Edition 400 soap holder, 11555139000 soap holder in sculptural design, brushed black chrome holder with slightly rounded edges, complete with removable crystal soap dish, matt, easy to clean, width 4-1/8", Height 13/16", depth 4-3/4", the soap holder is fitted concealed, delivery includes anti-corrosion fixings

Warranty: KEUCO products are covered by a 5-year manufacturer's warranty, in effect from the date of purchase. During this time, proven product defects will be remedied free of charge. Warranty claims must be filed in writing, including a detailed description of the defect immediately after a defect has occurred. For a copy of our detailed product warranty policy, please contact us at office-usa@keuco.com.

Installation: KEUCO products must be installed by a qualified professional in accordance with the respective installation guidelines and any applicable federal / local building codes and regulations.