

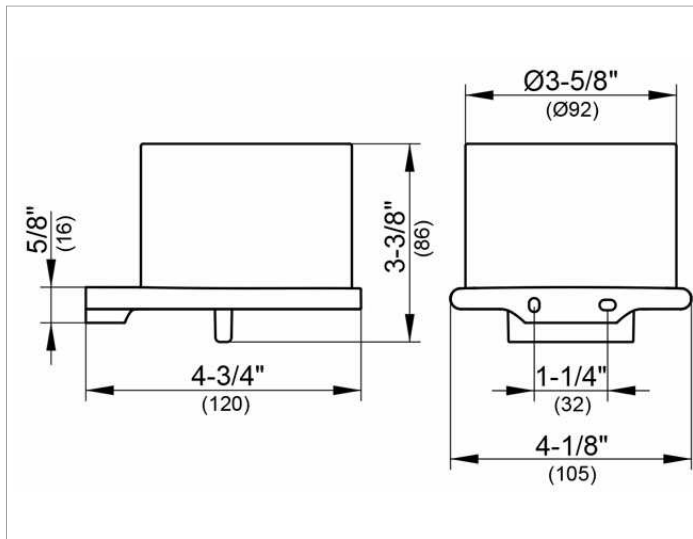
Edition 400

11552059000 Lotion dispenser

PRODUCT



DRAWING



PRODUCT ATTRIBUTES

crystal glass matte, complete with holder and pump for liquid soap
Capacity: approx. 5.07 oz
Dosage: approx. 0.02 oz/stroke

SURFACE

brushed nickel

SPECIFICATIONS

KEUCO Edition 400 lotion dispenser, 11552059000 lotion dispenser in sculptural design, brushed nickel holder with slightly rounded edges, wall mounted for liquid soap, complete with crystal glass, matt, high-quality and durable pump, capacity approx. 5.07 oz, dosage approx. 0.02 oz/stroke, total height 3-3/8", depth 4-3/4", width 4-1/8", the lotion dispenser is fitted concealed, delivery includes anti-corrosion fixings

Warranty: KEUCO products are covered by a 5-year manufacturer's warranty, in effect from the date of purchase. During this time, proven product defects will be remedied free of charge. Warranty claims must be filed in writing, including a detailed description of the defect immediately after a defect has occurred. For a copy of our detailed product warranty policy, please contact us at office-usa@keuco.com.

Installation: KEUCO products must be installed by a qualified professional in accordance with the respective installation guidelines and any applicable federal / local building codes and regulations.