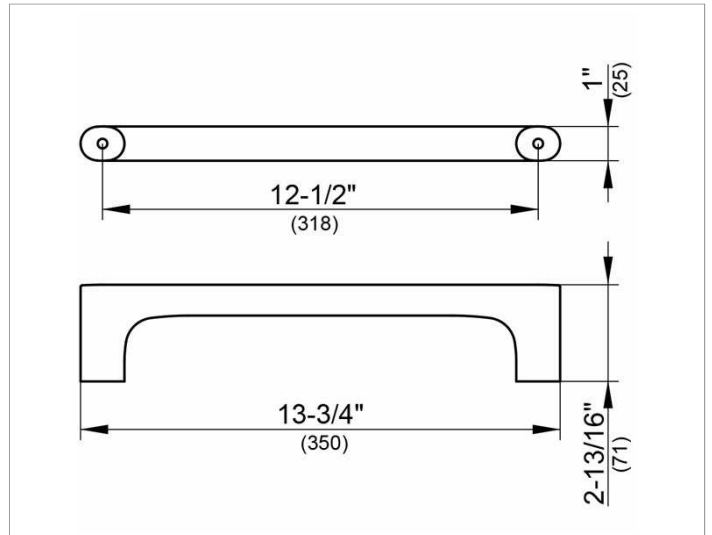


Edition 400
11507050000 Support rail

PRODUCT



DRAWING



SURFACE

brushed nickel

DIMENSION

13,78 "

SPECIFICATIONS

KEUCO Edition 400 grab bar 11507050000
brushed nickel grab bar, seamless
sculptural design,
solid zinc die-cast mounting,
load capacity up to 253 lb, easy to clean,
axial dimension 12-1/2", total width of 13-3/4",
depth 2-13/16",
type tested,
the grab bar is fitted concealed,
delivery includes anti-corrosion fixings

Warranty: KEUCO products are covered by a 5-year manufacturer's warranty, in effect from the date of purchase. During this time, proven product defects will be remedied free of charge. Warranty claims must be filed in writing, including a detailed description of the defect immediately after a defect has occurred. For a copy of our detailed product warranty policy, please contact us at office-usa@keuco.com.

Installation: KEUCO products must be installed by a qualified professional in accordance with the respective installation guidelines and any applicable federal / local building codes and regulations.