

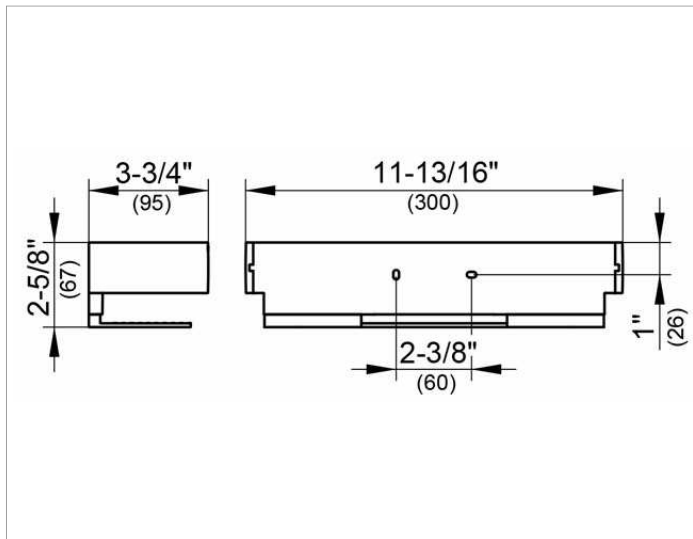
Edition 11

11158050000 Shower basket

PRODUCT



DRAWING



PRODUCT ATTRIBUTES

removable, with concealed fastening bracket

SURFACE

aluminum silver anodized/brushed nickel

SPECIFICATIONS

KEUCO EDITION 11 11158050000 sponge basket for wall mounting
 Shower basket with aluminum Silver anodized aluminum/ brushed nickel
 in a clear-cut design and
 geometric shape, easy to clean,
 Depth 3-3/4", width 11-13/16", height 2-5/8", hole distance 2-3/8"
 Comes with corrosion resistant mounting hardware

Warranty: KEUCO products are covered by a 5-year manufacturer's warranty, in effect from the date of purchase. During this time, proven product defects will be remedied free of charge. Warranty claims must be filed in writing, including a detailed description of the defect immediately after a defect has occurred. For a copy of our detailed product warranty policy, please contact us at office-usa@keuco.com.

Installation: KEUCO products must be installed by a qualified professional in accordance with the respective installation guidelines and any applicable federal / local building codes and regulations.