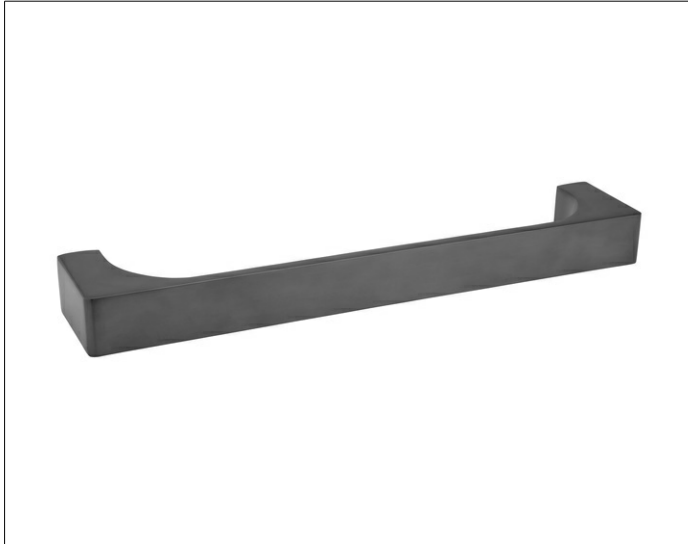


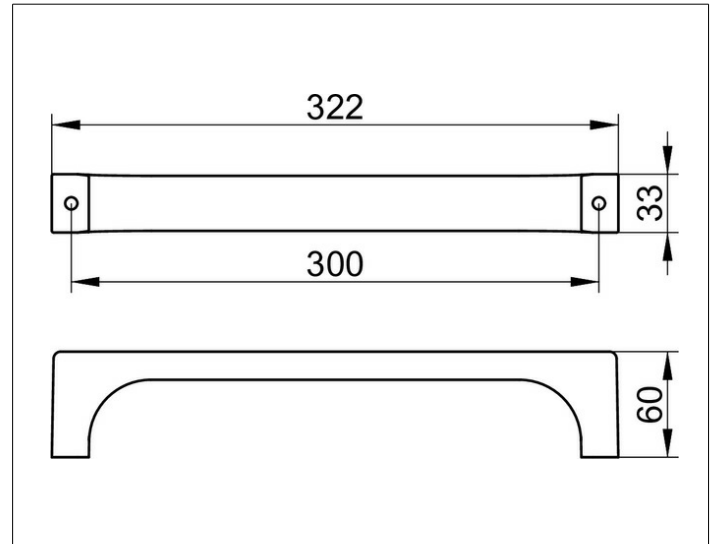
Edition 11

11107130000 Grab bar

PRODUCT



DRAWING



SURFACE

brushed black chrome

DIMENSION

300 mm

SPECIFICATIONS

KEUCO EDITION 11 grab bar 11107130000
 brushed black chrome handle, seamlessly
 in clear-cut design and geometric shapes, solid zinc die-cast mounting, max.
 253 lb load easy to clean,
 Installed at 11-13/16", with a total width of 12-11/16"
 Radius 2-3/8"