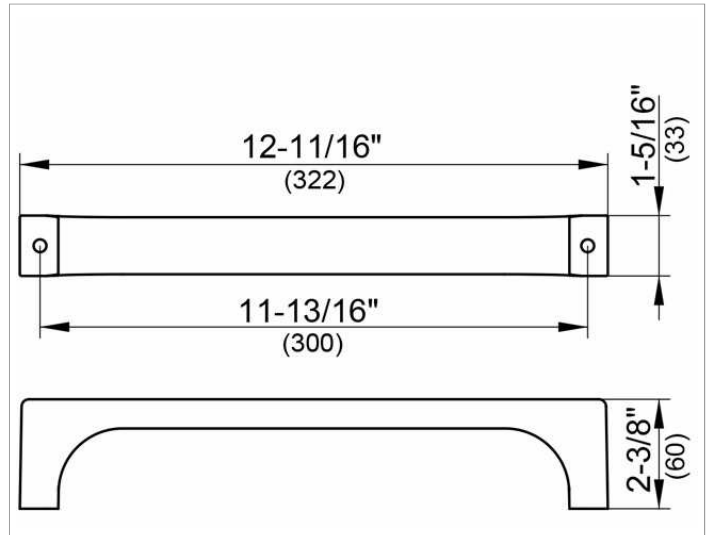


Edition 11  
11107050000 Support rail

**PRODUCT**



**DRAWING**



**SURFACE**

brushed nickel

**DIMENSION**

11,81 "

**SPECIFICATIONS**

KEUCO EDITION 11 grab bar 11107050000  
brushed nickel handle, seamlessly  
in clear-cut design and geometric shapes, solid zinc die-cast mounting,  
max. 253 Lb load easy to clean,  
Installed at 11-13/16", with a total width of 12-11/16"  
Radius 2-3/8"

**Warranty:** KEUCO products are covered by a 5-year manufacturer's warranty, in effect from the date of purchase. During this time, proven product defects will be remedied free of charge. Warranty claims must be filed in writing, including a detailed description of the defect immediately after a defect has occurred. For a copy of our detailed product warranty policy, please contact us at [office-usa@keuco.com](mailto:office-usa@keuco.com).

**Installation:** KEUCO products must be installed by a qualified professional in accordance with the respective installation guidelines and any applicable federal / local building codes and regulations.