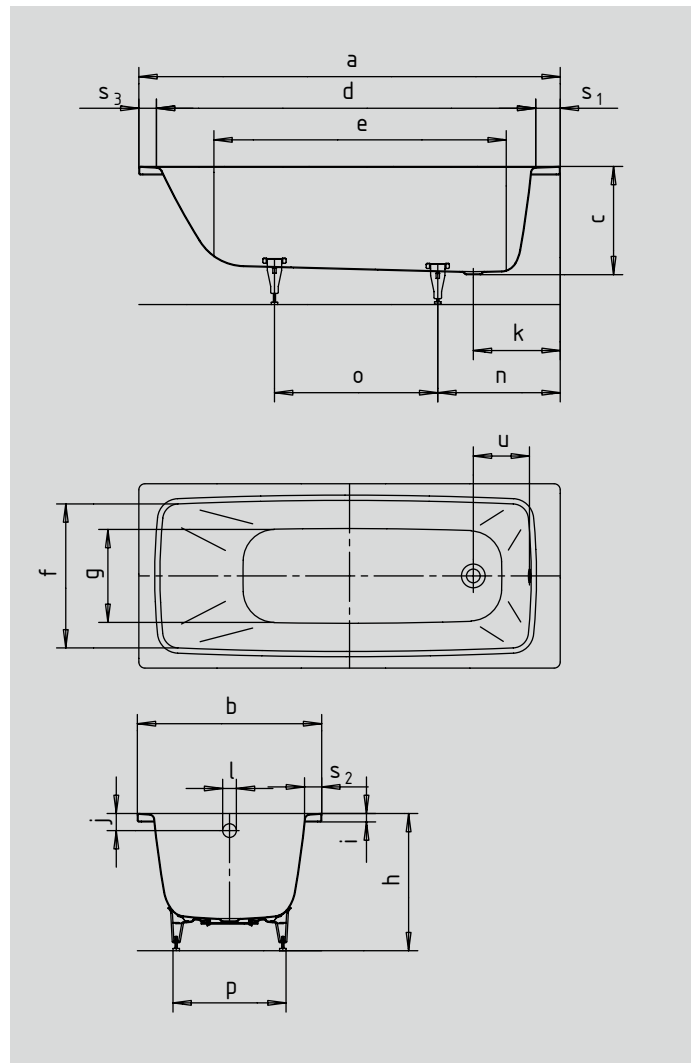


CAYONO

- one-seater bath with waste at foot end
- modern rectangular bathtub with spacious interior of the tub
- the bottom of the bath is extremely flat allowing for very comfortable showering
- made of KALDEWEI steel enamel
- IAPMO
- ASME A112.19.1
- CSA B45.2
- ASTM F-462
- Uniform Plumbing Code (UPC)
- National Plumbing Code (NPC)
- International Plumbing Code (IPC)



* Feet kit is an optional accessory

Model No.		inch	mm	inch	mm	inch	mm	inch	mm	inch	mm
		747	747	748	748	749	749	750	750	751	751
External length	a	59.06	1500	62.99	1600	66.93	1700	66.93	1700	70.87	1800
External width	b	27.56	700	27.56	700	27.56	700	29.53	750	31.50	800
Depth	c	16.14	410	16.14	410	16.14	410	16.14	410	16.14	410
Internal length (top)	d	51.57	1310	55.51	1410	59.45	1510	59.45	1510	63.39	1610
Internal length (bottom)	e	39.76	1010	43.70	1110	47.64	1210	47.64	1210	51.57	1310
Internal width (top)	f	22.44	570	22.44	570	22.44	570	24.02	610	25.98	660
Internal width (bottom)	g	15.75	400	15.75	400	15.75	400	17.72	450	20.08	510
Height with feet	h	21.06-21.85	535-555	21.38-22.17	543-563	21.14-22.01	537-559	21.18-21.77	538-553	20.79-21.38	528-543
Height of rim	i	1.26	32	1.26	32	1.26	32	1.26	32	1.26	32
Distance top edge to centre of overflow hole	j	2.56	65	2.56	65	2.56	65	2.56	65	2.56	65
Distance tub edge to centre of drain hole	k	12.99	330	12.99	330	12.99	330	12.99	330	12.99	330
Diameter of overflow hole	l	2.05	52	2.05	52	2.05	52	2.05	52	2.05	52
Diameter of drain hole	m	2.05	52	2.05	52	2.05	52	2.05	52	2.05	52
Distance foot end of tub edge to centre of foot	n	17.72	450	17.72	450	17.91	455	17.72	450	17.72	450
Distance between the feet	o	22.05	560	25.79	655	29.21	742	29.33	745	32.28	820
Max. width of feet	p	17.13	435	16.03	430	17.32	440	18.70	475	22.05	560
Width of rim (foot end; lengthwise)	s ₁ ; s ₂ ; s ₃	4.33; 2.48; 3.15	110; 63; 80	4.33; 2.48; 3.15	110; 63; 80	4.33; 2.48; 3.15	110; 63; 80	4.33; 2.48; 3.15	110; 63; 80	4.33; 2.48; 3.15	110; 63; 80
Distance between centre holes	u	8.39	213	8.39	213	8.39	213	8.39	213	8.39	213
Water volume** in gallons		23.51		28.26		29.06		35.93		45.17	
Weight of the enamelled bath tub in lbs		92.59		99.21		110.23		110.23		123.46	

Subject to technical alterations and tolerances.
 ** 18.49 gallons displacement on average.

KALDEWEI