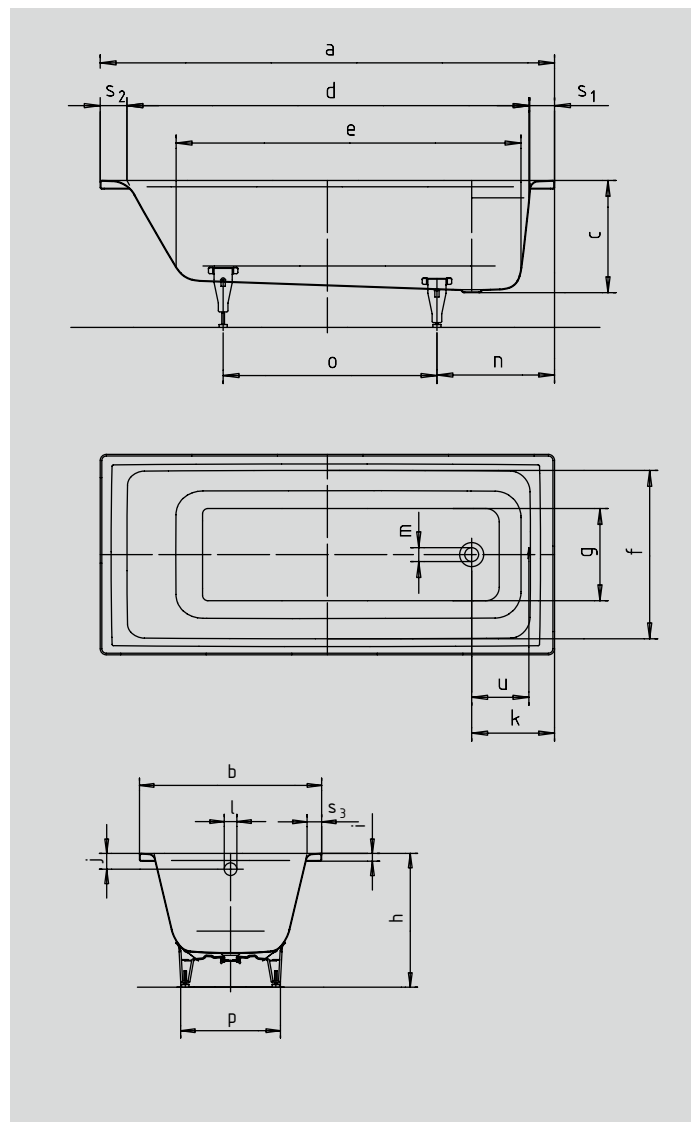


PURO

- straightlined, purist design
- one-seater bathtub with outlet at foot end
- classic four-cornered model
- made of KALDEWEI steel enamel
- IAPMO
- ASME A112.19.1
- CSA B45.2
- ASTM F-462
- Uniform Plumbing Code (UPC)
- National Plumbing Code (NPC)
- International Plumbing Code (IPC)



* Feet kit is an optional accessory

		inch	mm	inch	mm	inch	mm	inch	mm	inch	mm
Model No.		683	683	687	687	652	652	691	691	653	653
External length	a	62.99	1600	66.93	1700	66.93	1700	66.93	1700	70.87	1800
External width	b	27.56	700	27.56	700	29.53	750	31.50	800	31.50	800
Depth	c	16.54	420	16.54	420	16.54	420	16.54	420	16.54	420
Internal length (top)	d	55.51	1410	59.45	1510	59.45	1510	59.45	1510	63.39	1610
Internal length (bottom)	e	46.46	1180	50.39	1280	50.39	1280	50.39	1280	54.33	1380
Internal width (top)	f	22.83	580	22.83	580	24.41	630	26.77	630	26.38	680
Internal width (bottom)	g	16.14	410	16.14	410	18.11	460	18.11	460	15.55	510
Height with feet	h	21.73-22.52	552-572	21.85-22.24	555-565	21.81-22.36	554-568	21.73-22.24	552-565	21.77-22.17	553-563
Height of rim	i	1.26	32	1.26	32	1.26	32	1.26	32	1.26	32
Distance top edge to centre of overflow hole	j	2.56	65	2.56	65	2.56	65	2.56	65	2.56	65
Distance tub edge (foot) to centre of drain hole	k	12.20	310	12.20	310	12.20	310	12.20	310	12.20	310
Diameter of overflow hole	l	2.05	52	2.05	52	2.05	52	2.05	52	2.05	52
Diameter of drain hole	m	2.05	52	2.05	52	2.05	52	2.05	52	2.05	52
Distance foot end of tub edge to centre of foot	n	17.13	435	17.52	445	17.52	445	17.52	445	18.11	460
Distance between the feet	o	27.76	705	29.72	755	29.53	750	29.72	755	32.28	820
Max. width of feet	p	16.17	410	16.54	420	18.50	470	18.90	480	20.47	520
Width of rim	s ₁ ; s ₂ ; s ₃	3.54; 3.94; 2.36	90; 100; 60	3.54; 3.94; 2.36	90; 100; 60	3.54; 3.94; 2.36	90; 100; 60	3.54; 3.94; 3.35	90; 100; 85	3.54; 3.94; 2.36	90; 100; 60
Distance between centre holes	u	8.43	214	8.43	214	23.39	214	8.43	214	23.39	214
Water volume** in gallons		27.73		23.23		36.18		37.25		43.58	
Weight of the enamelled bath tub in lbs		101.41		108.03		110.23		116.84		119.05	

Subject to technical alterations and tolerances.
 ** 18.49 gallons displacement on average.

KALDEWEI