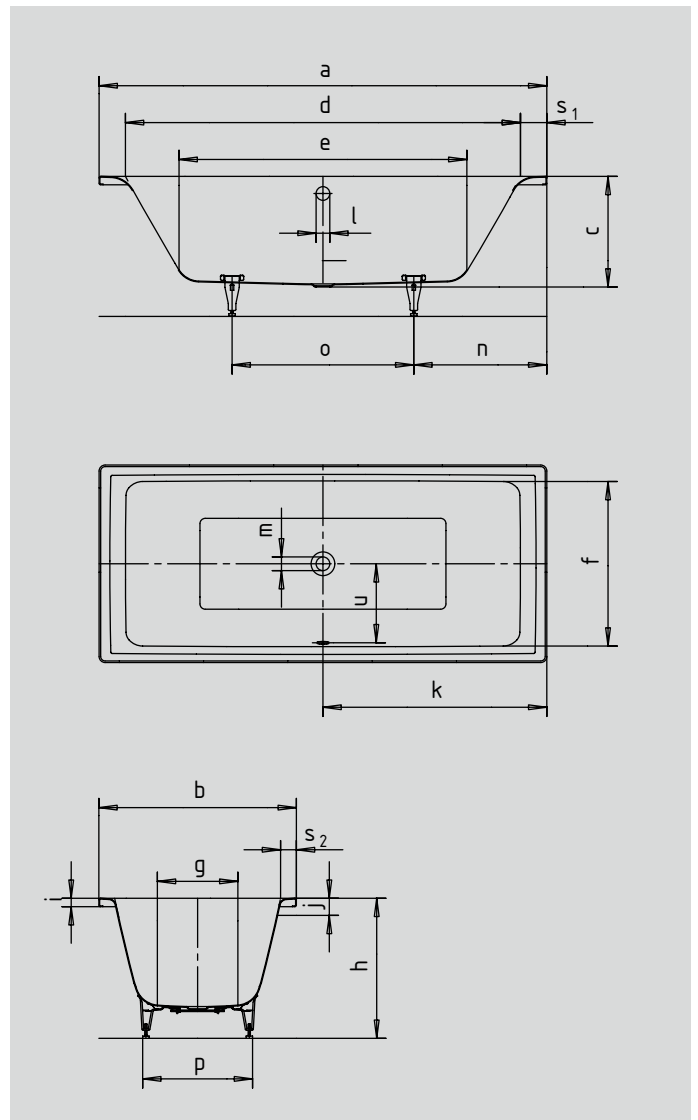


PURO DUO

- pure simplicity and unpretentious elegance are what distinguish these baths
- bathing with a friend: two identical back rests and centrally positioned waste
- classic four-cornered model
- made of KALDEWEI steel enamel
- IAPMO
- ASME A112.19.1
- CSA B45.2
- ASTM F-462
- Uniform Plumbing Code (UPC)
- National Plumbing Code (NPC)
- International Plumbing Code (IPC)



* Feet kit is an optional accessory

Model No.		inch		mm		inch		mm	
		663	663	664	664	665	665		
External length	a	66.93	1700	70.87	1800	74.80	1900		
External width	b	29.53	750	31.50	800	35.43	900		
Depth	c	16.54	420	16.54	420	16.54	420		
Internal length (top)	d	59.06	1500	62.99	1600	66.93	1700		
Internal length (bottom)	e	40.16	1020	44.09	1120	48.03	1220		
Internal width (top)	f	24.80	630	26.77	680	30.71	780		
Internal width (bottom)	g	18.11	460	20.08	510	24.21	615		
Height with feet	h	21.26-22.64	540-575	21.46-22.52	545-572	21.26-22.64	540-575		
Height of rim	i	1.26	32	1.26	32	1.26	32		
Distance top edge to centre of overflow hole	j	2.56	65	2.56	65	2.56	65		
Distance tub edge (foot) to centre of drain hole	k	33.46	850	35.43	900	37.40	950		
Diameter of overflow hole	l	2.05	52	2.05	52	2.05	52		
Diameter of drain hole	m	2.05	52	2.05	52	2.05	52		
Distance foot end of tub edge to centre of foot	n	21.46	545	21.06	535	23.03	585		
Distance between the feet	o	23.82	605	28.74	730	28.74	730		
Max. width of feet	p	18.31	465	20.08	510	23.82	605		
Width of rim	s ₁ ; s ₂	3.94; 2.36	100; 60	3.94; 2.36	100; 60	3.94; 2.36	100; 60		
Distance between centre holes	u	12.01	305	12.99	330	14.96	380		
Water volume** in gallons		32.23		43.59		57.33			
Weight of the enamelled bath tub in lbs		105.82		119.05		134.48			

Subject to technical alterations and tolerances.
 ** 18.49 gallons displacement on average.

KALDEWEI