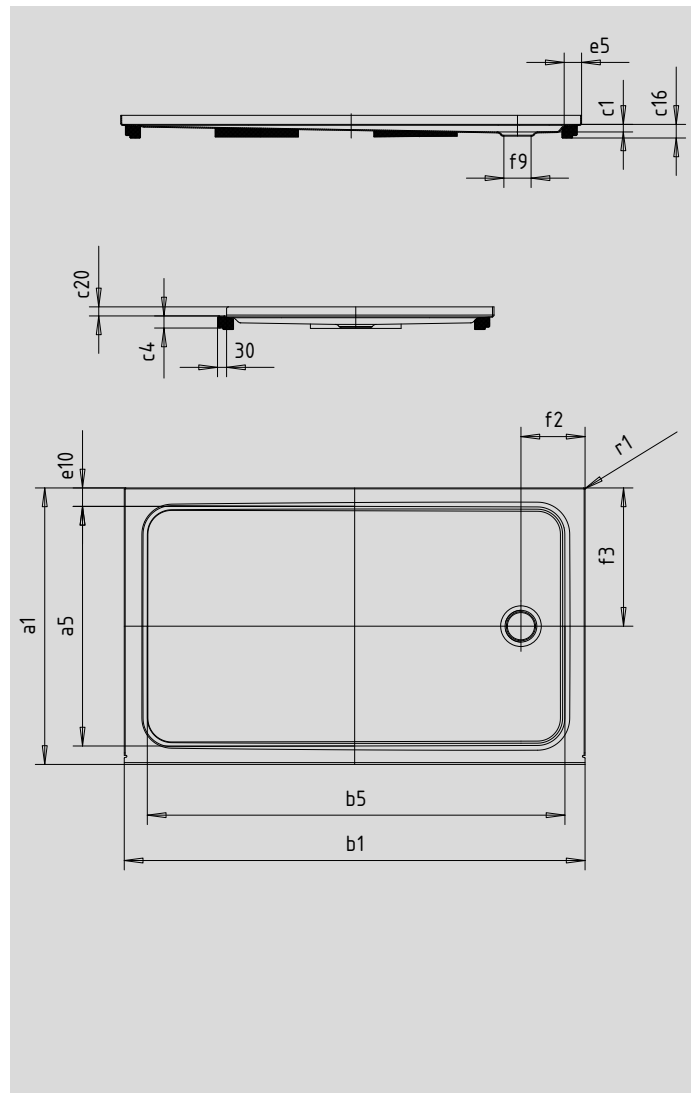


# CAYONOPLAN RIGHT VERSION WITH TILE FLANGE


- floor-level shower
- classic design with inner contour
- integral tile flange
- full anti-slip surface
- includes EPS support system on bottom with easy installation, leveling and no mortar required
- perfect match for the CAYONO model range
- made of KALDEWEI steel enamel
- IAPMO
- ASME A112.19.1
- CSA B45.2
- ASTM F-462
- ICC / ANSI A117.1 (ADA)



Model No.		2311-5	2313-5	2317-5
External length	a1	30	32	36 inch
Internal length	a5	25.2	27.2	31.1 inch
External width	b1	60	60	60 inch
Internal width	b5	54.7	54.7	54.7 inch
Internal depth	c1	1	1	1 inch
Depth with drain hole	c2	1.5	1.5	1.5 inch
Height of rim	c4	1.6	1.6	1.6 inch
	c16	1.8	1.8	1.8 inch
	c20	1.2	1.2	1.2 inch
Width of rim	e5	2.4	2.4	2.4 inch
	e10	2.2	2.2	2.2 inch
Distance bath edge to centre of drain hole	f2	8.3	8.3	8.3 inch
Distance bath edge to centre of drain hole	f3	15	16	18 inch
Diameter of drain hole	f9	3.5	3.5	3.5 inch
	r1	0.2	0.2	0.2 inch
Weight of the enamelled bath tub in lbs				
Full anti-slip length		52.6	52.6	52.6 inch
Full anti-slip width		22.6	24.2	27.4 inch

Subject to technical alterations, tolerances and errors.  
Similar illustration.

**KALDEWEI**

	<b>Model</b> Order No.	<b>Dimensions</b> inch (cm)	<b>Color price groups</b> l (alpine white)	<b>\$</b>
<b>CAYONOPLAN</b> <b>right version</b> <b>with tile flange</b> 	<b>2311-5</b> 3713 1430 0001	60 x 30 x 1 152.4 x 76.2 x 2.54		850.00
	<b>2313-5</b> 3715 1430 0001	60 x 32 x 1 152.4 x 81.28 x 2.54		1,150.00
	<b>2317-5</b> 3717 1430 0001	60 x 36 x 1 152.4 x 91.44 x 2.54		1,250.00
	<b>OPTIONAL ACCESSORIES</b>			
<b>Extra charge for easy-clean finish</b>	xxxx xxxx 3xxx			107.00

Products will be available for supply end of January 2019.