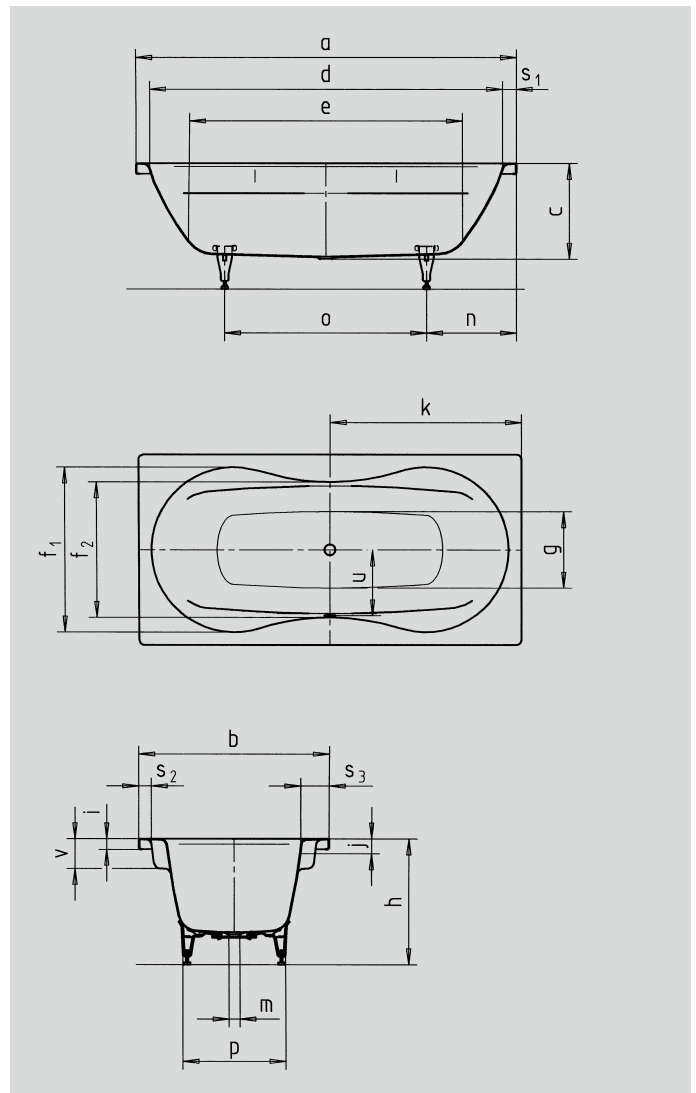


MEGA DUO

- bathing with a friend: two identical back rests and centrally positioned outlet
- wide arm rests on both sides provide optimum bathing comfort
- classic four-cornered model
- made of KALDEWEI steel enamel
- IAPMO
- ASME A112.19.1
- CSA B45.2
- ASTM F-462
- Uniform Plumbing Code (UPC)
- National Plumbing Code (NPC)
- International Plumbing Code (IPC)



* Feet kit is an optional accessory

| | | inch | mm |
|---|--|------------------|-------------|
| Model No. | | 180 | 180 |
| External length | a | 70.87 | 1800 |
| External width | b | 35.43 | 900 |
| Depth | c | 17.72 | 450 |
| Internal length (top) | d | 66.14 | 1680 |
| Internal length (bottom) | e | 50.79 | 1290 |
| Internal width (top) | f ₁ ; f ₂ | 30.71; 25.20 | 780; 640 |
| Internal width (bottom) | g | 14.17 | 360 |
| Height with feet | h | 22.24-23.62 | 565-600 |
| Height of rim | i | 1.97 | 50 |
| Distance top edge to centre of overflow hole | j | 2.76 | 70 |
| Distance tub edge to centre of drain hole | k | 35.43 | 900 |
| Diameter of overflow hole | l | 2.05 | 52 |
| Diameter of drain hole | m | 2.05 | 52 |
| Distance foot end of tub edge to centre of foot | n | 19.29 | 490 |
| Distance between the feet | o | 32.28 | 820 |
| Max. width of feet | p | 18.90 | 480 |
| Width of rim (foot end; lengthwise) | s ₁ ; s ₂ ; s ₃ | 2.36; 2.36; 5.12 | 60; 60; 130 |
| Distance between centre holes | u | 12.20 | 310 |
| Armrest depth | v | 5.51 | 140 |
| Water volume** in gallons | | 49.14 | |
| Weight of the enamelled bath tub in lbs | | 132.28 | |

Subject to technical alterations and tolerances.
 ** 18.49 gallons displacement on average.

KALDEWEI