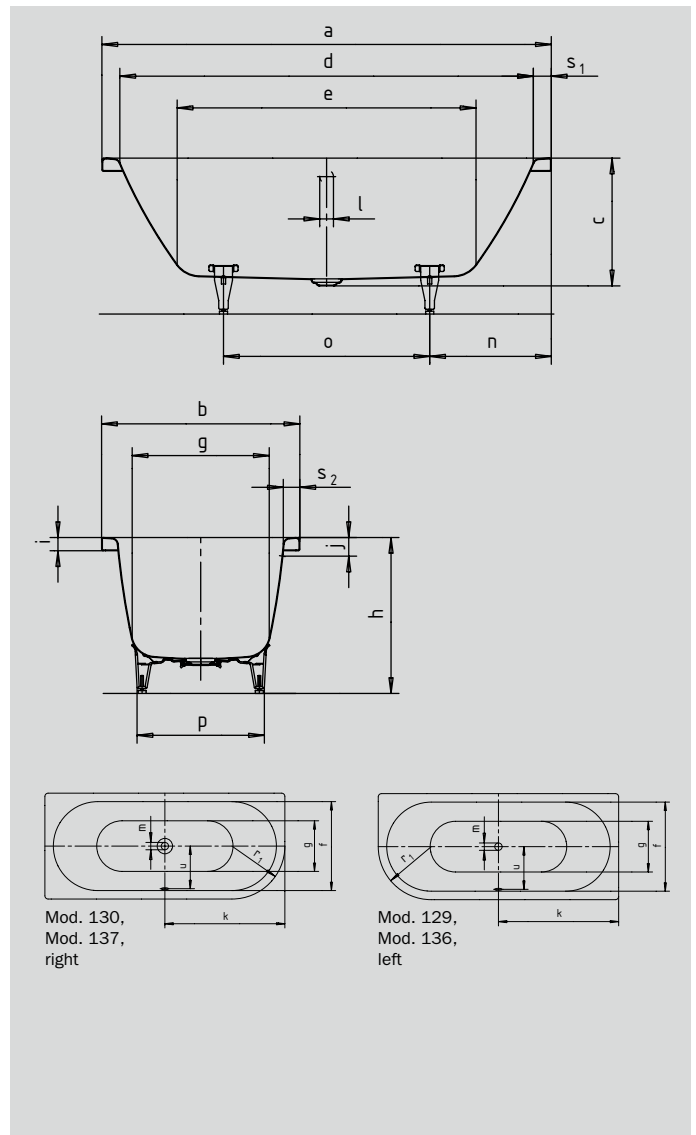


# CENTRO DUO 1 LEFT

# CENTRO DUO 1 RIGHT

- puristic simplicity and unpretentious elegance are what distinguish these bathtubs
- bathing with a friend: two identical back rests and centrally positioned outlet
- made of KALDEWEI steel enamel
- enamelled waste cover integrated in the bath design
- IAPMO
- ASME A112.19.1
- CSA B45.2
- ASTM F-462
- Uniform Plumbing Code (UPC)
- National Plumbing Code (NPC)
- International Plumbing Code (IPC)



\* Feet kit is an optional accessory

Model No.		inch	mm	inch	mm	inch	mm	inch	mm
		<b>129</b>	<b>129</b>	<b>130</b>	<b>130</b>	<b>136</b>	<b>136</b>	<b>137</b>	<b>137</b>
External length	a	66.93	1700	66.93	1700	70.87	1800	70.87	1800
External width	b	29.53	750	29.53	750	31.50	800	31.50	800
Depth	c	19.09	485	19.09	485	19.09	485	19.09	485
Internal length (top)	d	62.20	1580	62.20	1580	66.14	1680	66.14	1680
<b>Internal length (bottom)</b>	<b>e</b>	<b>44.49</b>	<b>1130</b>	<b>44.49</b>	<b>1130</b>	<b>48.43</b>	<b>1230</b>	<b>48.43</b>	<b>1230</b>
Internal width (top)	f	24.80	630	24.80	630	26.77	680	26.77	680
Internal width (bottom)	g	20.08	510	20.08	510	22.05	560	22.05	560
Height with feet	h	23.82-25.20	605-640	23.82-25.20	605-640	23.43-24.80	595-630	23.43-24.80	595-630
Height of rim	i	1.97	50	1.97	50	1.97	50	1.97	50
Distance top edge to centre of overflow hole	j	2.76	70	2.76	70	2.76	70	2.76	70
Distance tub edge to centre of drain hole	k	33.46	850	33.46	850	35.43	900	35.43	900
Diameter of overflow hole	l	2.05	52	2.05	52	2.05	52	2.05	52
Diameter of drain hole	m	2.05	52	2.05	52	2.05	52	2.05	52
Distance foot end of tub edge to centre of foot	n	22.05	560	22.05	560	23.62	600	23.62	600
Distance between the feet	o	22.83	580	22.83	580	23.62	600	23.62	600
Max. width of feet	p	18.31	465	18.31	465	21.26	540	21.26	540
Radius	r <sub>1</sub>	14.76	375	14.76	375	15.75	400	15.75	400
Width of rim (foot end; lengthwise)	s <sub>1</sub> ; s <sub>2</sub>	2.36; 2.36	60; 60	2.36; 2.36	60; 60	2.36; 2.36	60; 60	2.36; 2.36	60; 60
Distance between centre holes	u	12.09	307	12.09	307	13.07	332	13.07	332
Water volume** in gallons		41.2		41.2		51.5		51.5	
Weight of the enamelled bath tub in lbs		116.85		116.85		123.46		123.46	

Subject to technical alterations and tolerances.  
 \*\* 18.49 gallons displacement on average.

**KALDEWEI**