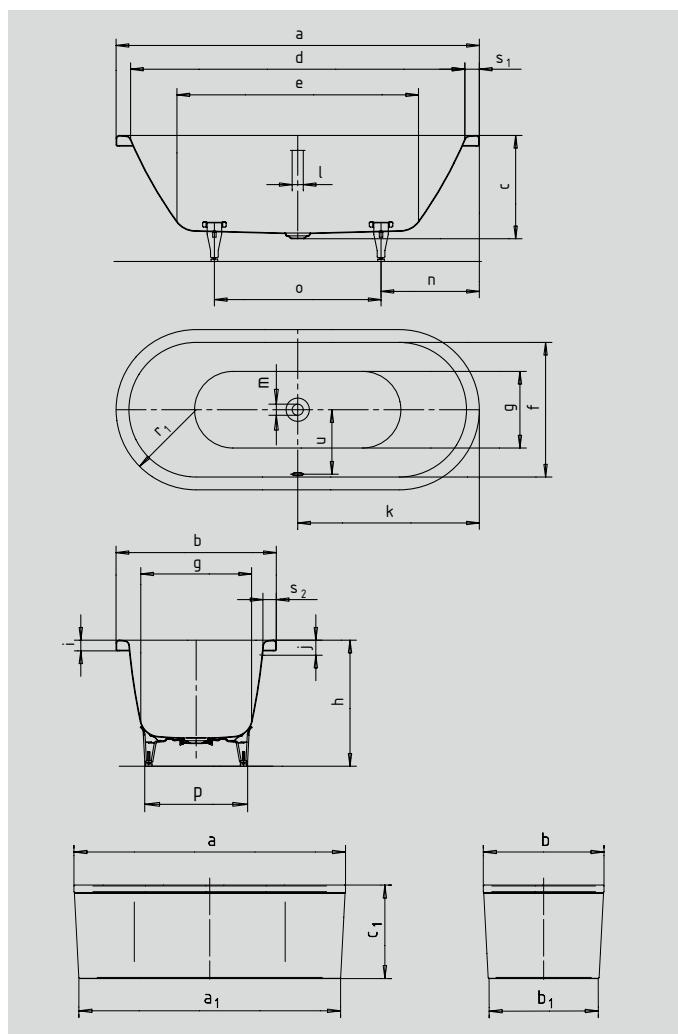


CENTRO DUO OVAL

- puristic simplicity and unpretentious elegance are what distinguish these bathtubs
- bathing with a friend: two identical back rests and centrally positioned outlet
- made of KALDEWEI steel enamel
- enamelled waste cover integrated in the bath design
- IAPMO
- ASME A112.19.1
- CSA B45.2
- ASTM F-462
- Uniform Plumbing Code (UPC)
- National Plumbing Code (NPC)
- International Plumbing Code (IPC)



* Feet kit is an optional accessory

Model No.	127		127-7		128		128-7		
	inch	mm	inch	mm	inch	mm	inch	mm	
External length	a	66.93	1700	66.93	1700	70.87	1800	70.87	1800
External length (bottom)	a ₁	-	-	64.37	1635	-	-	68.31	1735
External width	b	29.53	750	29.53	750	31.50	800	31.50	800
External width (bottom)	b ₁	-	-	26.97	685	-	-	28.94	735
Depth	c	18.50	470	18.50	470	18.50	470	18.50	470
Overall height with panel	c ₁	-	-	24.41	620	-	-	24.41	620
Internal length (top)	d	62.20	1580	62.20	1580	66.14	1680	66.14	1680
Internal length (bottom)	e	44.49	1130	44.49	1130	48.43	1230	48.43	1230
Internal width (top)	f	24.80	630	24.80	630	26.77	680	26.77	680
Internal width (bottom)	g	20.08	510	20.08	510	22.05	560	22.05	560
Height with feet	h	23.82-25.20	605-640	23.82-25.20	605-640	23.43-24.80	595-630	23.43-24.80	595-630
Height of rim	i	1.97	50	1.97	50	1.97	50	1.97	50
Distance top edge to centre of overflow hole	j	2.76	70	2.76	70	2.76	70	2.76	70
Distance tub edge to centre of drain hole	k	33.46	850	33.46	850	35.43	900	35.43	900
Diameter of overflow hole	l	2.05	52	2.05	52	2.05	52	2.05	52
Diameter of drain hole	m	2.05	52	2.05	52	2.05	52	2.05	52
Distance foot end of tub edge to centre of foot	n	22.05	560	22.05	560	23.62	600	23.62	600
Distance between the feet	o	22.83	580	22.83	580	23.62	600	23.62	600
Max. width of feet	p	18.31	465	18.31	465	21.26	540	21.26	540
Radius	r ₁	18.31	375	19.76	375	15.75	400	15.75	400
Width of rim (foot end; lengthwise)	s ₁ ; s ₂	2.36; 2.36	60; 60	2.36; 2.36	60; 60	2.36; 2.36	60; 60	2.36; 2.36	60; 60
Distance between centre holes	u	12.09	307	12.09	307	13.07	332	13.07	332
Water volume** in gallons		41.2		41.2		51.5		51.5	
Weight of the enamelled bath tub in lbs		108.03		-		116.85		-	

Subject to technical alterations and tolerances.
** 18.49 gallons displacement on average.

KALDEWEI