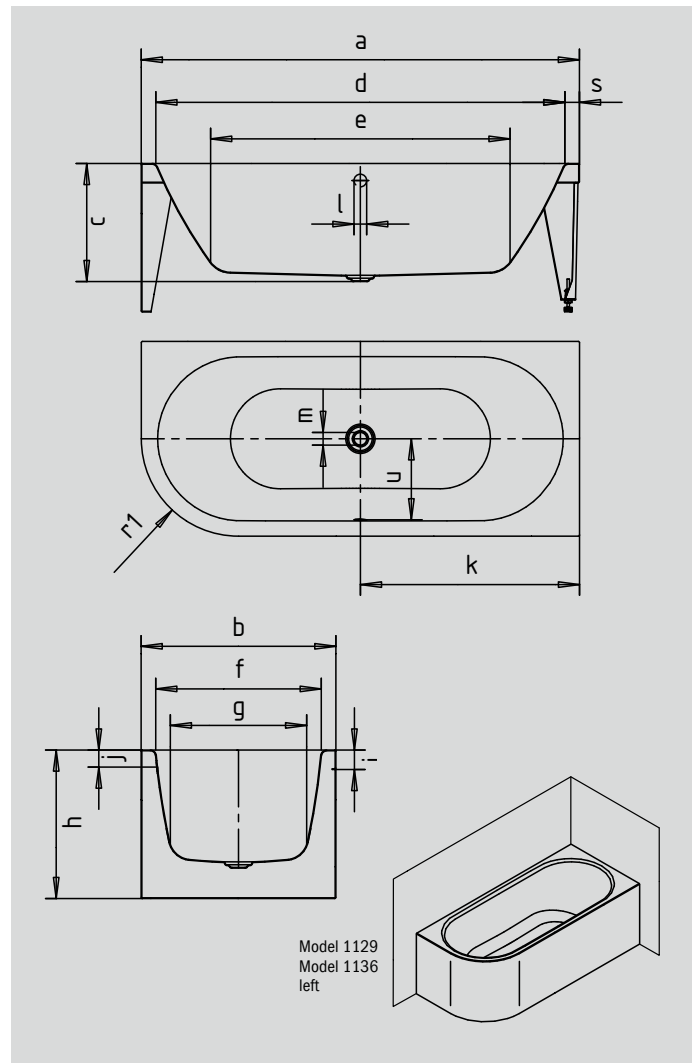


MEISTERSTÜCK

CENTRO DUO 1 LEFT

CORNER INSTALLATION LEFT (2-SIDED)

- bath made of high-quality steel enamel with enamelled panelling on two sides
- specially designed for corner installation
- with the exclusive easy-clean finish surface
- available in left-hand and right-hand version
- purism and simple elegance are defining features of this bath
- enamelled waste cover integrated in the bath design
- drain included
- made of KALDEWEI steel enamel
- IAPMO
- ASME A112.19.1
- CSA B45.2
- ASTM F-462



Model No.		inch	mm	inch	mm
		1129	1129	1136	1136
External length	a	66.93	1700	70.87	1800
External width	b	29.53	750	31.50	800
Depth	c	19.09	485	19.09	485
Internal length (top)	d	62.20	1580	66.14	1680
Internal length (bottom)	e	44.49	1130	48.43	1230
Internal width (top)	f	24.80	630	26.77	680
Internal width (bottom)	g	20.08	510	22.05	560
Height of bath	h	24.02	610	24.02	610
Height of rim	i	3.15	80	3.15	80
Distance top edge to centre of overflow hole	j	2.76	70	2.76	70
Distance tub edge to centre of drain hole	k	33.46	850	35.43	900
Diameter of overflow hole	l	2.05	52	2.05	52
Diameter of drain hole	m	2.05	52	2.05	52
Radius	r ₁	14.76	375	15.75	400
Width of rim (foot end; lengthwise)	s	2.36	60	2.36	60
Distance between centre holes	u	12.09	307	13.07	332
Water volume** in gallons		41.2		51.51	
Weight of the enamelled bath tub in lbs		218.26		238.10	
Waste connection diameter		1.57/1.97	40/50	1.57/1.97	40/50
Fill fitting connection		1/2"	12.70	1/2"	12.70

Subject to technical alterations and tolerances.
 ** 18.49 gallons displacement on average.

KALDEWEI