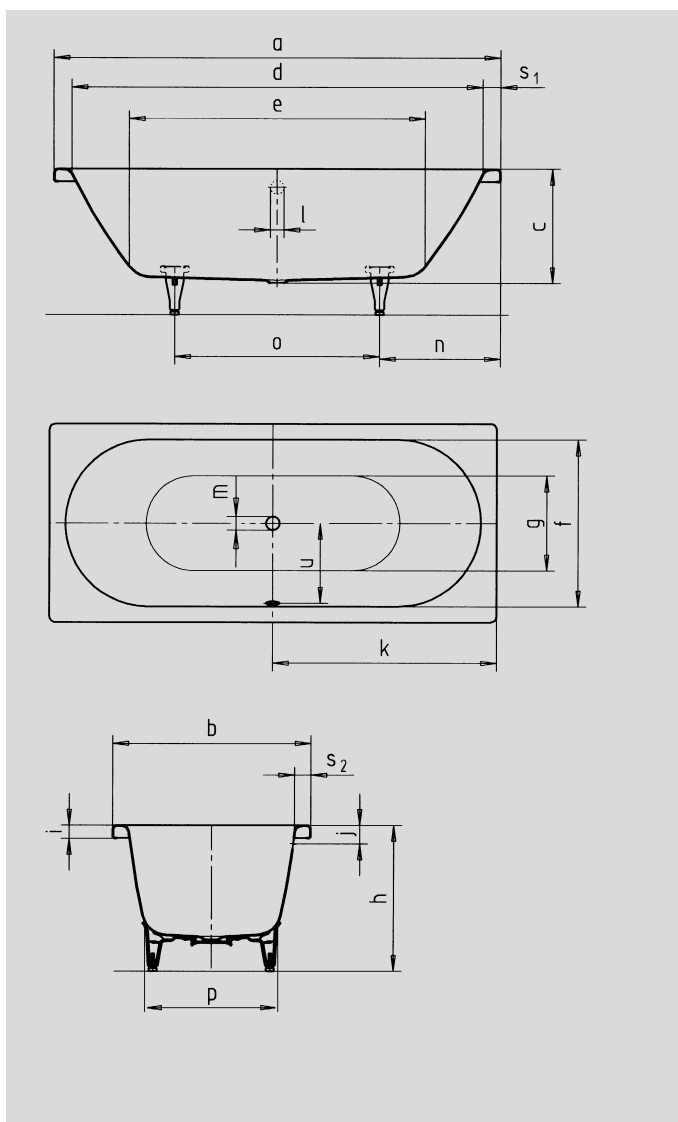


KLASSIKDUO

- puristic simplicity and unpretentious elegance are what distinguish these bathtubs
- bathing with a friend: two identical back rests and centrally positioned outlet
- classical four-cornered model
- made of KALDEWEI steel enamel
- IAPMO
- ASME A112.19.1
- CSA B45.2
- ASTM F-462
- Uniform Plumbing Code (UPC)
- National Plumbing Code (NPC)
- International Plumbing Code (IPC)



* Feet kit is an optional accessory

		inch	mm	inch	mm	inch	mm	inch	mm	inch	mm	inch	mm
Model No.		103	103	105	105	107	107	109	109	110	110	114	114
External length	a	62.99	1600	66.93	1700	66.93	1700	70.87	1800	70.87	1800	74.80	1900
External width	b	27.56	700	27.56	700	29.53	750	29.53	750	31.50	800	35.43	900
Depth	c	16.93	430	16.93	430	16.93	430	16.93	430	16.93	430	16.93	430
Internal length (top)	d	58.27	1480	62.20	1580	62.20	1580	66.14	1680	66.14	1680	70.08	1780
Internal length (bottom)	e	44.55	1030	44.49	1130	44.49	1130	48.43	1230	48.43	1230	52.36	1330
Internal width (top)	f	22.83	580	22.83	580	24.80	630	24.80	630	26.77	680	30.71	780
Internal width (bottom)	g	17.72	450	17.72	450	19.69	500	19.69	500	21.65	550	25.59	650
Height with feet	h	22.44-23.82	570-605	22.24-23.62	565-600	22.05-23.43	560-595	22.05-23.43	560-595	21.85-23.23	555-590	21.65-22.83	550-580
Height of rim	i	1.26	32	1.26	32	1.26	32	1.26	32	1.26	32	1.26	32
Distance top edge to centre of overflow hole	j	2.76	70	2.76	70	2.76	70	2.76	70	2.76	70	2.76	70
Distance tub edge to centre of drain hole	k	31.50	800	33.46	850	33.46	850	35.43	900	35.43	900	37.40	950
Diameter of overflow hole	l	2.05	52	2.05	52	2.05	52	2.05	52	2.05	52	2.05	52
Diameter of drain hole	m	2.05	52	2.05	52	2.05	52	2.05	52	2.05	52	2.05	52
Distance foot end of tub edge to centre of foot	n	22.05	560	22.05	560	22.05	560	23.62	600	23.62	600	24.80	630
Distance between the feet	o	18.90	480	22.83	580	22.83	580	23.62	600	23.62	600	25.19	640
Max. width of feet	p	16.93	430	16.54	420	18.50	470	18.50	470	21.26	540	25.59	650
Width of rim (foot end; lengthwise)	s ₁ ; s ₂	2.36; 2.36	60; 60	2.36; 2.36	60; 60	2.36; 2.36	60; 60	2.36; 2.36	60; 60	2.36; 2.36	60; 60	2.36; 2.36	60; 60
Distance between centre holes	u	11.02	280	11.02	280	12.01	305	12.01	305	12.99	330	14.96	380
Water volume** in gallons		25.09		29.05		32.22		37.77		41.73		56.27	
Weight of the enamelled bath tub in lbs		97.00		103.62		105.82		110.23		116.85		136.69	

Subject to technical alterations and tolerances.
 ** 18.49 gallons displacement on average.

KALDEWEI