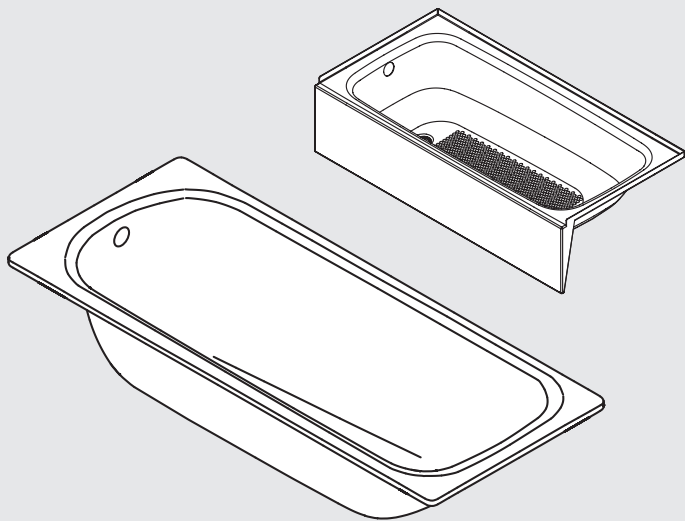


KALDEWEI



INSTALLATION INSTRUCTIONS

Bathtub

Instructions d'installation
Instrucciones de montaje

KALDEWEI BATHTUB

Carefully read these installation instructions prior to installing your Kaldewei product.

In the installation instructions, the following icons described are used. These icons refer to instructions and note which require your special attention.



Instructions and notes which ensure proper functioning and trouble-free installation of the bathtub.



Instructions and notes to ensure the health of the bathtub user.



Cleaning and care instructions to retain the high quality of the bathtub.

EXPLANATION

- Kaldewei has prepared these installation instructions to be as accurate as possible.
- The illustrations used in these installation instructions do not necessarily show the bathtub model in question. Installation is to be done analogously.
- The bathtub complies with ASME A112.19.1-2008/CSA B45.2-2008. All dimensions are nominal.
- Kaldewei reserves the right to change the contents of the installation instructions without being obliged to inform third parties.
- Kaldewei reserves the right to modify and to improve the technical portion without being obliged to inform third parties. Please read the attached addendum, if necessary.
- No part of these installation instructions may be reproduced or transferred otherwise without the express approval of Kaldewei.
- The most current and accurate information is available on our website www.kaldewei.us.

If you wish to ask any questions regarding the bathtub or its installation or if you have detected any defect to the bathtub before the installation please contact the Kaldewei customer service.

KALDEWEI USA Inc.

14074 Trade Center Drive
Suite 148
Fishers, IN 46038

telephone +1 866 822 2527
fax +1 866 543 6717

SAFETY GUIDELINES

A. Important Notice

One cannot anticipate every possible circumstance that might involve a potential hazard during the usage of Kaldewei product(s). The warnings and instructions in this safety guide are, therefore, not all-inclusive. If a procedure that is not specifically recommended by Kaldewei is used, you must satisfy yourself that it is safe.

B. Important Safety Instructions



WARNING: Risk of Plugging and Entrapment. The bathtub may only be used to clean your body. Do not place any objects into the bathtub. Never drop or insert any object into any opening.



WARNING: Risk of personal injury and possible drowning. Imprudent use of the bathtub may result in the risk of injury or drowning.



WARNING: Risk of personal injury. Do not leave children unattended by an adult during a bath.



WARNING: Risk of personal injury. Elderly and handicapped persons and persons restricted in their movement should take special care when using a bath.



WARNING: Risk of personal injury. Special care is required to prevent injuries and falls when getting in or out of the bathtub. Do not overflow bathtub before entering. Entering tub when filled more than 2/3 can cause overflow and slippery conditions. If necessary, a suitable grip (available at specialized dealers) is to be mounted

to get safely in and out of the bathtub.



WARNING: No Food, Drugs or Alcoholic Beverages. Use of your bathtub immediately after meals is not recommended. The bathtub shall not be used for taking a bath under the influence of medication, alcohol or drugs. The use of alcohol, drugs or medication can cause drowsiness or greatly increase the risk of hyperthermia resulting in loss of consciousness or even drowning.



WARNING: Risk of personal injury. To use the bathtub, it is absolutely necessary to consult your physician in case of disorders of the central or peripheral circulatory system (coronary heart disease, heart attack, cardiac insufficiency, peripheral arterial occlusion).



WARNING: Risk of hyperthermia and possible drowning. Check, and if necessary, correct the water temperature before getting into the filled bathtub. Water temperatures of above 104°F (40°C) may be hazardous to your health. Generally, however, a water temperature similar to the body temperature will be preferable.



WARNING: Risk of electric shock. Do not permit electrical appliances near any bathtub when bathtub contains water. Do not switch on any electrical appliances (such as hairdryers, shavers, television sets or radios) near the bathtub, even if the bathtub

is not being used. Electrical appliances in the bathroom must be placed or mounted by a certified electrician such that they cannot fall into the bathtub (minimum distance: 60"/1.5 m).



WARNING: Pregnancy. If you are or think you may be pregnant, consult your physician before using the bathtub.

TRANSPORT



Transport the bathtub in the transport box only and do not stock items on top of tubs.



Kaldewei shall not assume any liability for damage incurred due to improper intermediate storage and for transport damage resulting from a failure to observe the relevant instructions.



Handle with care.



The contents of the packing are subjected to extensive quality and performance checks. Check the contents of the packing for completeness and possible transport damage. Please find more information about the delivery conditions in the Kaldewei general terms and conditions.



Due to the heavy weight, at least two persons are required to carry or move the bathtub.



Take special care when transporting the bathtub through narrow doors.

RECOMMENDATION



To ensure a simple and safe installation of the bathtub, it is recommended to use the Kaldewei leveling feet and optional wall anchors (to be obtained in traditional plumbing distributor).

For further information, please, also refer to www.kaldewei.us.

CLEANING OF THE BATHTUB



For cleaning the bathtub, please observe the instructions given in the enclosed warranty card or check under www.kaldewei.us.



GENERAL INSTALLATION INSTRUCTIONS



Before the installation, the bathtub shall be checked for accuracy to size, color, default and defects. Claims in respect to defects which had already existed before the installation cannot be admitted after the installation.



Installation of the bathtub shall only be performed by a specialized business able to prove to the pertinent authorities its know-how and competence in installing bathroom fixtures in terms of the application of national safety regulations, e.g. water supply/discharge.



The floor must be level for a successful installation of the bathtub without a Kaldewei bathtub base frame. It is recommended to use the Kaldewei bathtub base frame (see www.kaldewei.us, not included in the scope of supply).



When planning and building the facing or the framework for the bathtub, particular attention must be paid to dimensional accuracy. For any necessary maintenance/service work, an inspection opening is to be provided in the drain area.



All work has to be carried out using recommended tools.



During the installation work, in particular when working with tools, appropriate protective clothing shall be worn.



When installing the bathtub, protect the bathtub surface and casing and the wall and floor tiles from damage.



Avoid excessive debris of any kind and, in particular, debris which might cause clogging of the drain.



When connecting the bathtub to the local waste system, take into account an adequate slope to the drain and check the proper fit of pipe connections.



Upon completed installation and connection of the bathtub to the plumbing system, a drainage test shall be made to check whether the residual water is drained completely.



After completed installation, these installation instructions shall be handed over to the owner or to the supervisor or architect acting as an agent.

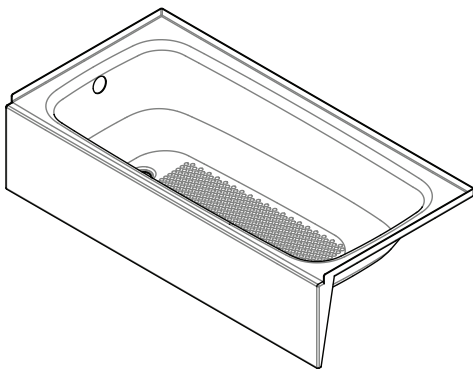
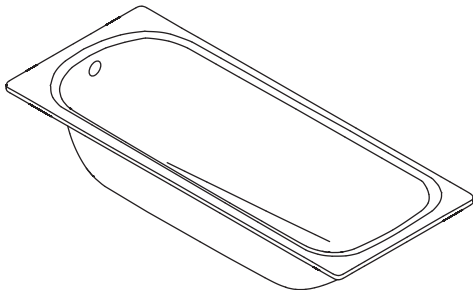


The plumbing contractor or the owner of the bathtub shall make these installation instructions and the warranty card available to any subsequent owners and users.

SCOPE OF SUPPLY

VOLUME DE LIVRAISON

VOLUMEN DE SUMINISTRO



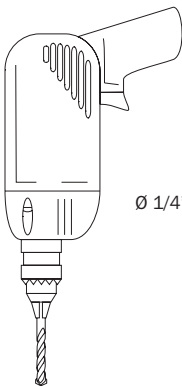
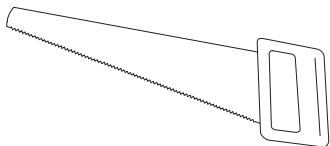
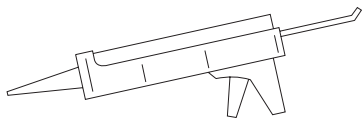
REQUIRED TOOLS

OUTILS NECESSAIRES

HERRAMIENTAS NECESARIAS



1/2" (13 mm) 1 1/16" (17 mm)



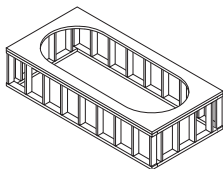
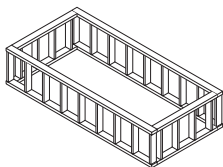
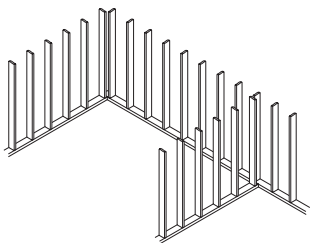
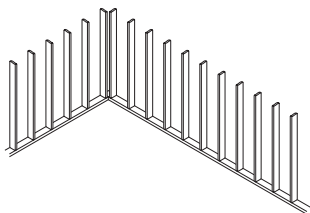
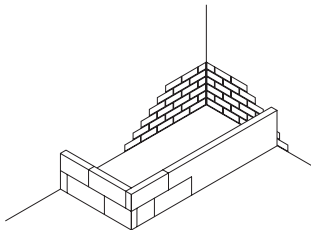
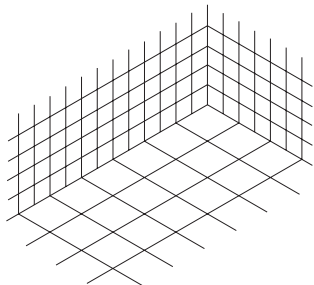
Ø 1/4" (5 mm)



POSSIBLE MOUNTING SITUATIONS

POSITIONS D'INSTALLATION POSSIBLES

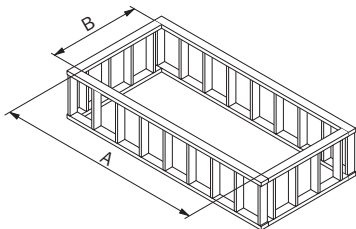
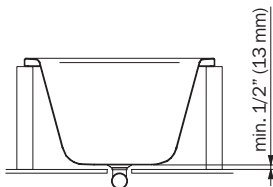
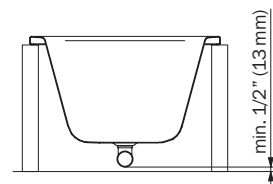
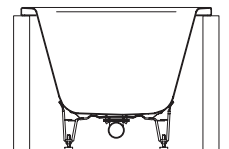
SITUACIONES POSIBLES DURANTE LA INSTALACIÓN



MOUNTING DIMENSIONS

DIMENSIONS D'INSTALLATION

MEDIDAS DE MONTAJE



A = Bathtub length / Longueur de la baignoire / Longitud de la bañera -2" (50 mm)

B = Bathtub width / Largeur de la baignoire / Ancho de la bañera -2" (50 mm)

C = Bathtub base frame (see www.kaldewei.us) / support de base de la baignoire (voir sous www.kaldewei.com) / Soporte base para la bañera (véase www.kaldewei.com)

Please refer to the Kaldewei price list or website for dimension details of bathtub.

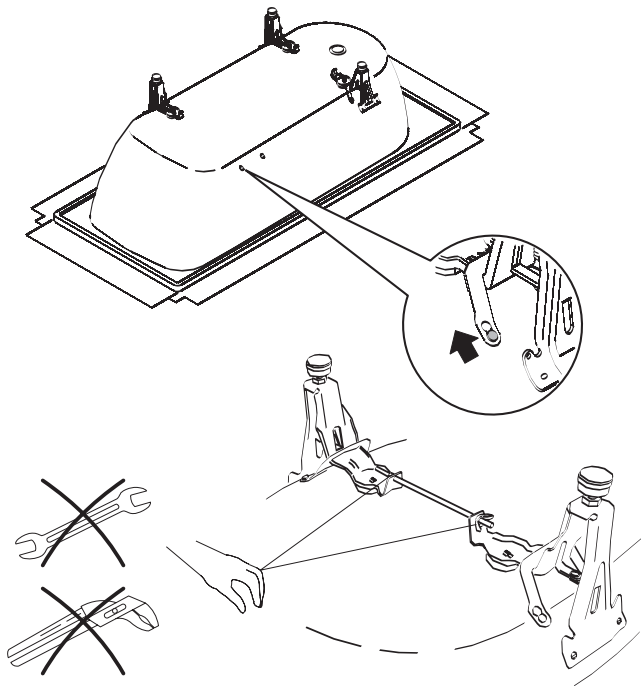
Pour des détails concernant les dimensions de la baignoire, veuillez voir la liste des prix Kaldewei ou l'internet.

En la lista de precios de la empresa Kaldewei o en internet puede encontrar más detalles sobre las medidas.

MOUNTING OF BATHTUB BASE FRAME (RECOMMENDED)

MISE EN PLACE DU SUPPORT DE BASE DE LA BAIGNOIRE (RECOMMANDE)

COLOCACIÓN DEL SOPORTE BASE PARA BAÑERA (RECOMENDADO)



For information about the Kaldewei bathtub base frame, see www.kaldewei.us (not included in the scope of supply).

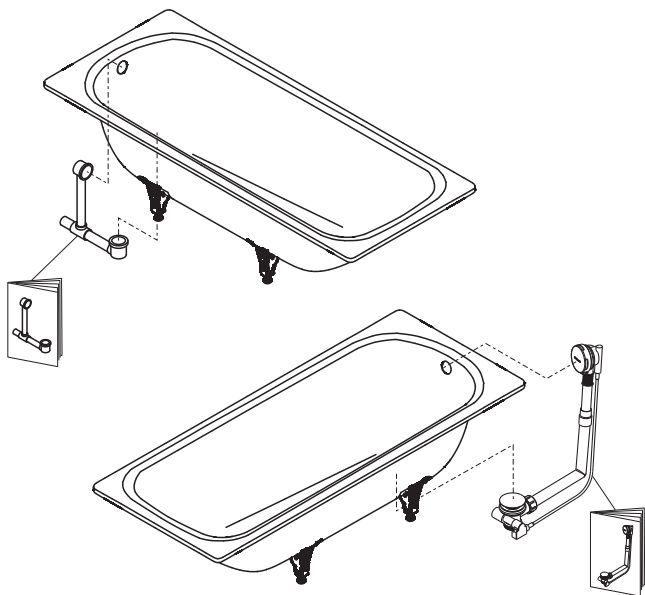
Pour des informations relatives au support de base Kaldewei pour baignoires, veuillez voir www.kaldewei.com (pas compris dans le volume de livraison).

Para más información relativa al soporte base para bañera de la empresa Kaldewei véase www.kaldewei.com (no incluido en el volumen de suministro).

INSTALLING THE DRAIN AND OVERFLOW ASSEMBLY

RACCORDEMENT DE LA GARNITURE D'ÉCOULEMENT ET D'ANTI-DEBORDEMENT

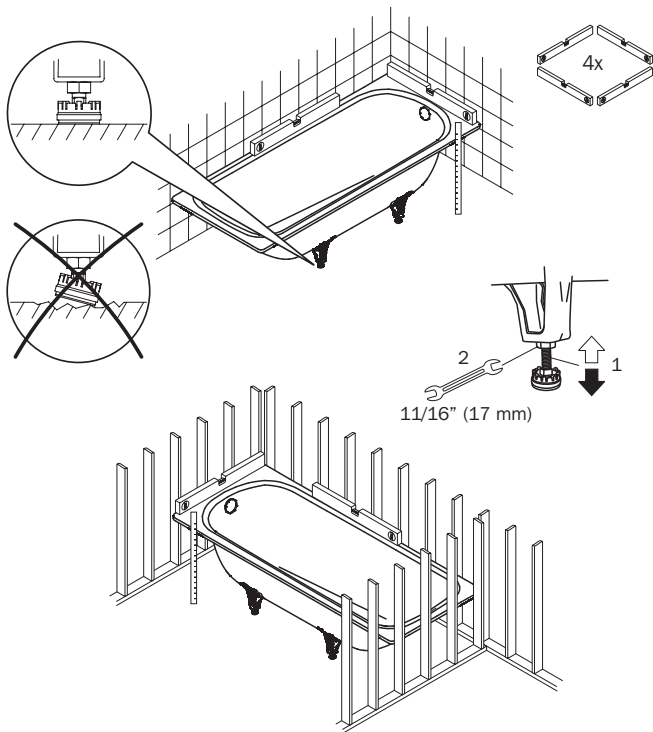
CONEXIÓN DEL JUEGO DE DESAGÜE Y EVACUACIÓN



LEVELING THE BATHTUB

ALIGNAGE DE LA BAIGNOIRE

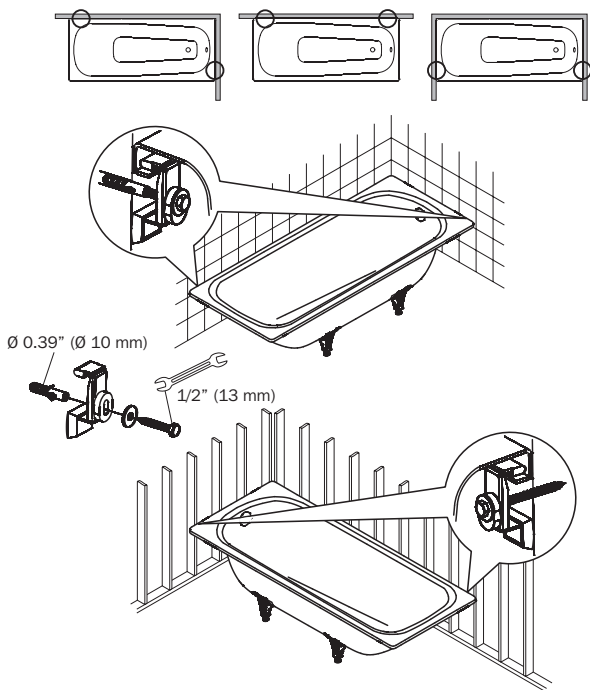
ALINEACIÓN Y POSICIONADO DE LA BAÑERA



FIXING WITH BATHTUB WALL ANCHORS (OPTIONAL)

FIXATION AU MOYEN DE TIGES D'ANCRAGE MURALES (EN OPTION)

SUJECCIÓN CON ANCLAJES DE FIJACIÓN DE BAÑERAS (OPCIONAL)



For information about Kaldewei wall anchors, see www.kaldewei.us (not included in the scope of supply).

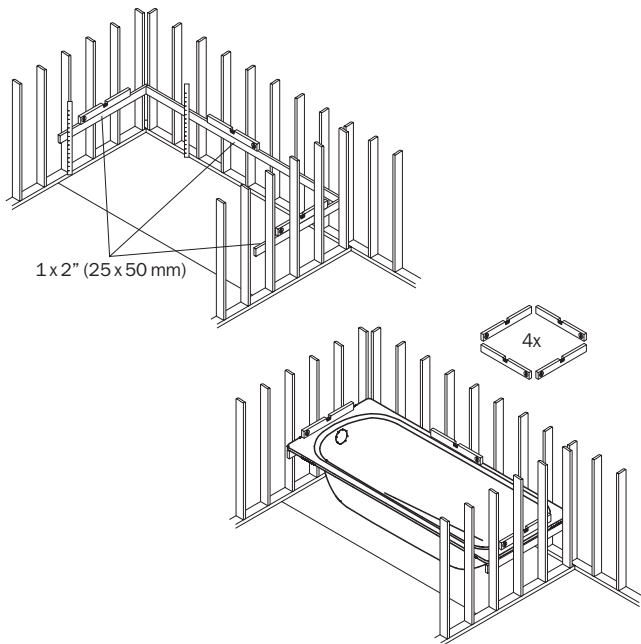
Pour des informations concernant les tiges d'ancrage murales Kaldewei, veuillez voir www.kaldewei.com (matériel pas compris dans le volume de livraison).

Para más información sobre los anclajes de fijación de bañeras de la empresa Kaldewei véase www.kaldewei.com (no incluido en el volumen de suministro)

ASSEMBLY OF THE WALL SUPPORT

MISE EN PLACE DU SUPPORT MURAL

COLOCACIÓN DE PUNTOS DE APOYO A LA PARED



Not in connection with bathtub wall anchors.

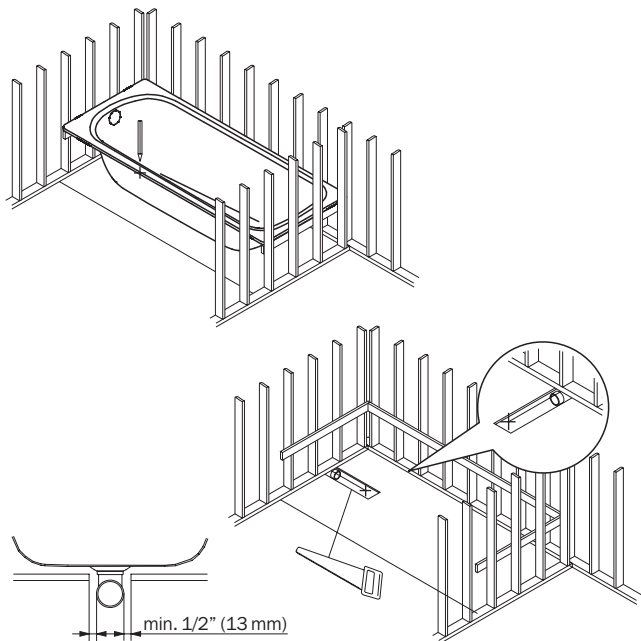
Ne pas valable en cas d'utilisation de tiges d'ancrage murales.

No para el caso de utilización de anclajes de fijación para bañeras.

PREPARATION FOR THROUGH THE FLOOR ROUGH-INS FOR THE PIPES

REALISATION D'OUVERTURES DANS LE SOL POUR LE TUBAGE

REALIZACIÓN DE APERTURAS EN EL SUELO PARA EL MONTAJE DE LAS TUBERÍAS



Not in connection with bathtub base frame.

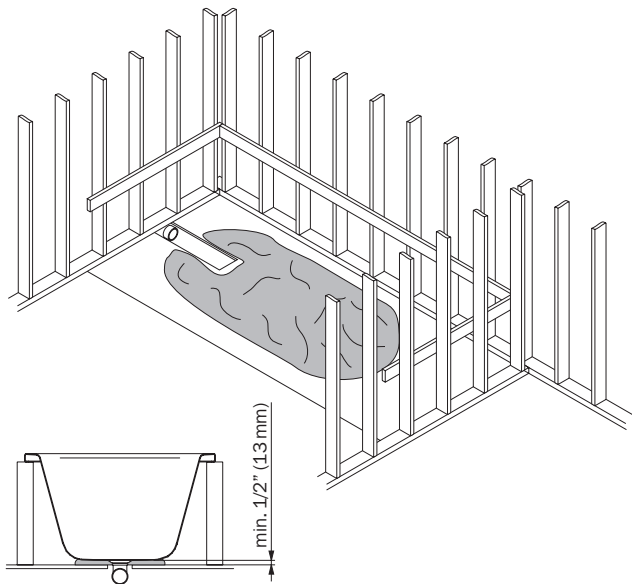
Ne pas valable dans le cas de l'utilisation d'un support de base de baignoire.

No para el caso de utilización de soportes base para bañeras.

SETTING UP OF A MORTAR BASE

REALISATION D'UN SOCLE EN MORTIER

COLOCACIÓN DE UN ZOCALO



Not in connection with bathtub base frame.

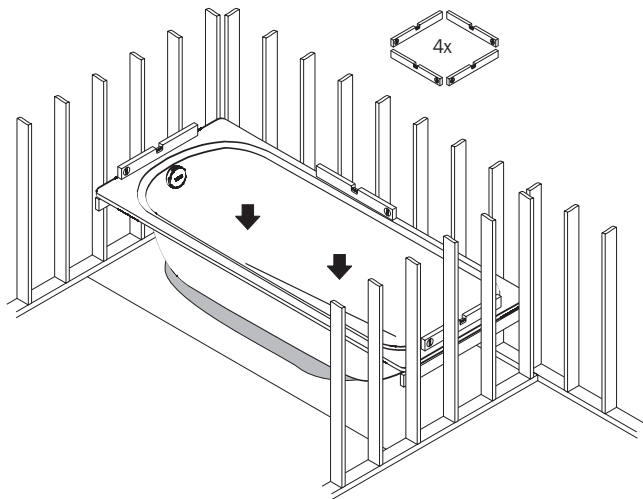
Ne pas valable dans le cas de l'utilisation d'un support de base de baignoire.

No para el caso de utilización de soportes base para bañeras.

FITTING IN THE BATHTUB

MISE EN PLACE DE LA BAIGNOIRE

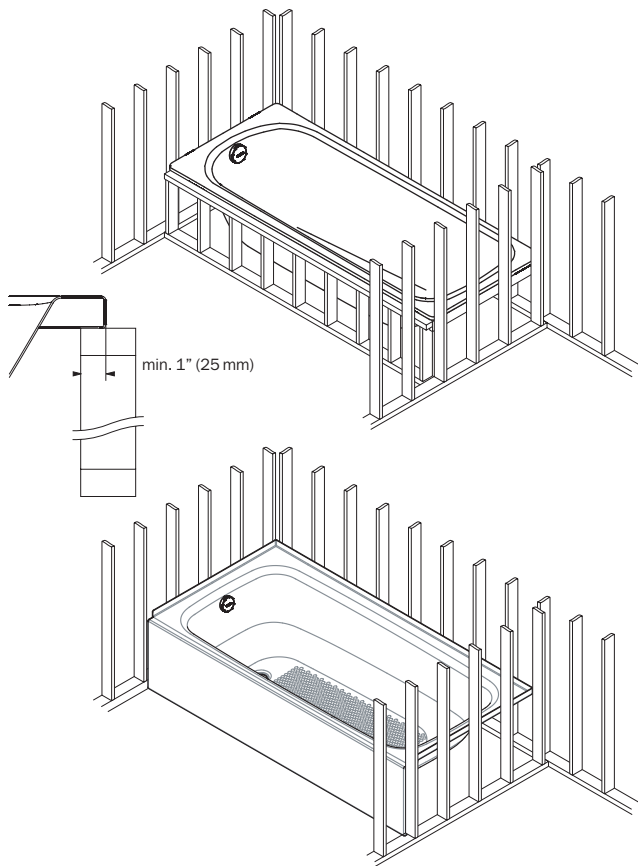
COLOCACIÓN DE LA BAÑERA



BUILDING A FRONT FRAME OR APRON

CONSTRUCTION D'UN SUPPORT FRONTAL / JUPE

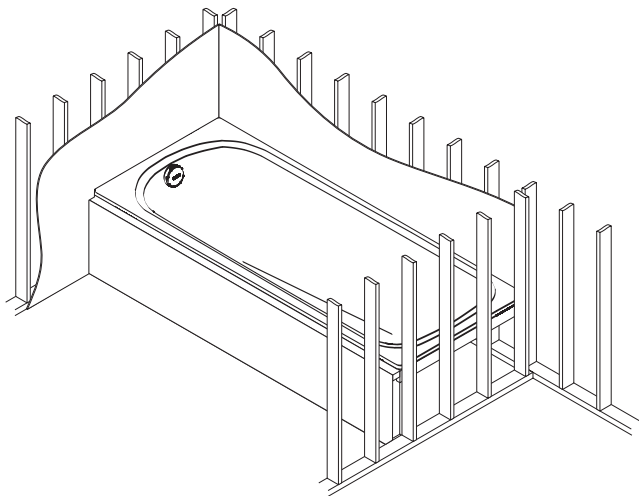
INSTALACIÓN DE UN SOPORTE / PANEL FRONTAL



MOUNTING OF THE WALL PANELLING

MISE EN PLACE DU REVETEMENT MURAL

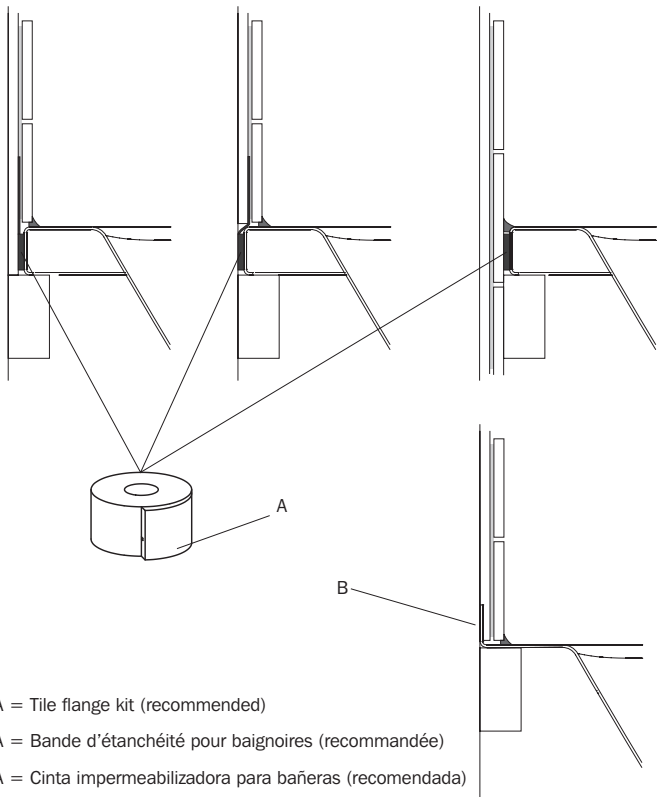
COLOCACIÓN DEL REVESTIMIENTO DE LA PARED



USING A TILE FLANGE KIT

UTILISATION DE BANDE D'ÉTANCHEITE POUR BAIGNOIRES

USO DE LA CINTA IMPERMEABILIZADORA PARA BAÑERAS



A = Tile flange kit (recommended)

A = Bande d'étanchéité pour baignoires (recommandée)

A = Cinta impermeabilizadora para bañeras (recomendada)

B = Bathtub with integral tile flange

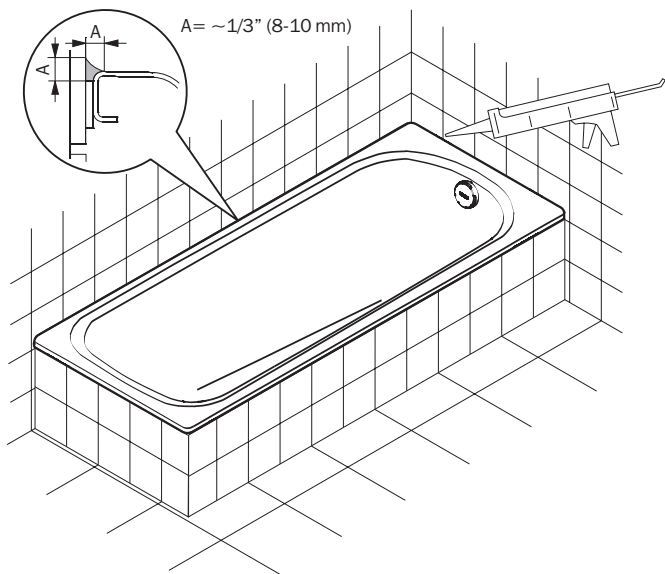
B = Baignoire avec bande d'étanchéité fixe dans le carrelage

B = Bañera con cinta impermeabilizadora debajo de los azulejos

CAULKING THE BATHTUB

ETANCHEMENT DE LA BAIGNOIRE

IMPERMEABILIZACIÓN DE LA BAÑERA



KALDEWEI

Kaldewei USA Inc.
14074 Trade Center Drive
Suite 148
Fishers, IN 46038
tel. +1 866 822 2527
fax +1 866 543 6719
Email address: contactus@kaldewei.com
Internet: www.kaldewei.us