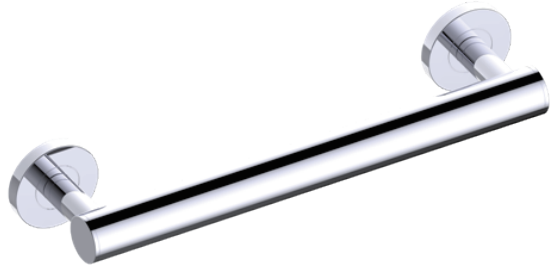




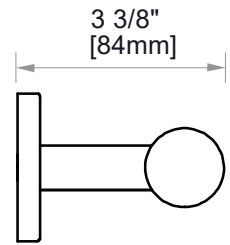
ADA Compliant



## 9100 SERIES

### GRAB BAR 12"

8289112



**PRODUCT NAME:** GRAB BAR (1.25"/32MM)

**SIZE:** 12"

**PRODUCT CODE:** 8289112

**MATERIAL:** All-brass construction

**STOCKED FINISHES:**

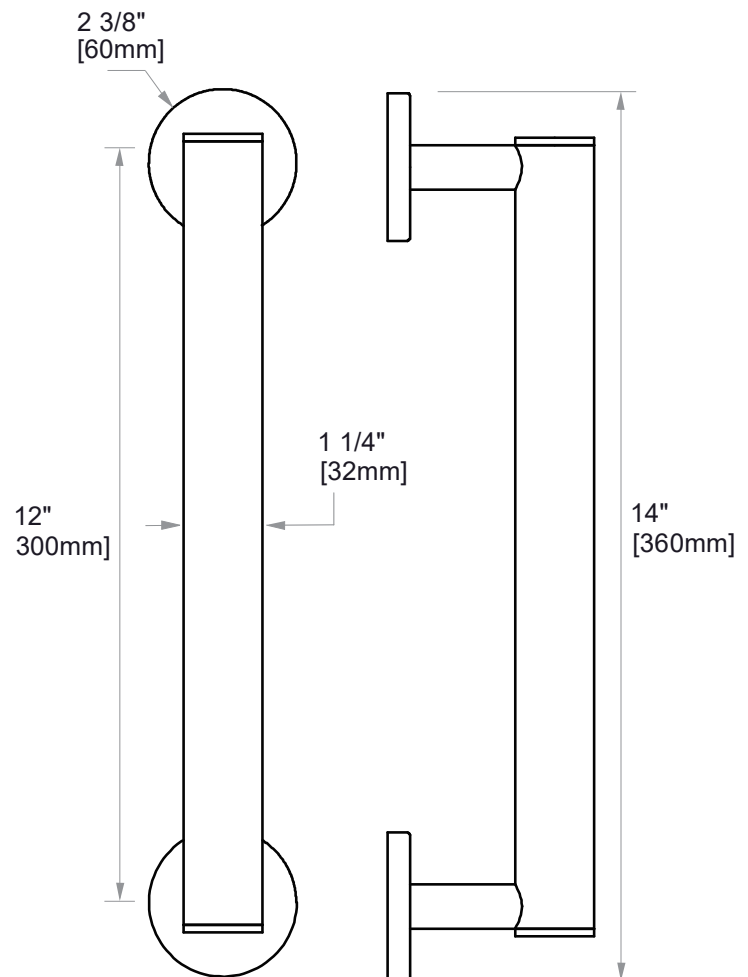
- Polished Chrome (99)
- Brushed Nickel (81)
- Polished Nickel (68)
- Matte Black (48)
- Brushed Brass (78)
- Brushed Gold (22)
- Brushed Bronze (25)

**SPECIAL FINISHES AVAILABLE:**

Please see our website for full list samples

**WARRANTY:**

Lifetime Limited (Residential Use)  
One Year (Commercial Use)



NOTE: Dimensions and specifications are subject to change without notice.